

# Globe Valve Type 215



body material	nominal pressure	nominal diameter	max temperature
<b>A</b> grey cast iron	<b>A</b> 6 bar <b>C</b> 16 bar	<b>DN</b> 15-300	<b>300°C</b>
<b>C</b> nodular cast iron	<b>C</b> 16 bar <b>D</b> 25 bar	<b>DN</b> 15-200	<b>350°C</b>
<b>E</b> bronze	<b>C</b> 16 bar	<b>DN</b> 15-200	<b>225°C</b>
<b>F</b> cast steel	<b>E</b> 40 bar	<b>DN</b> 15-150	<b>400°C</b>



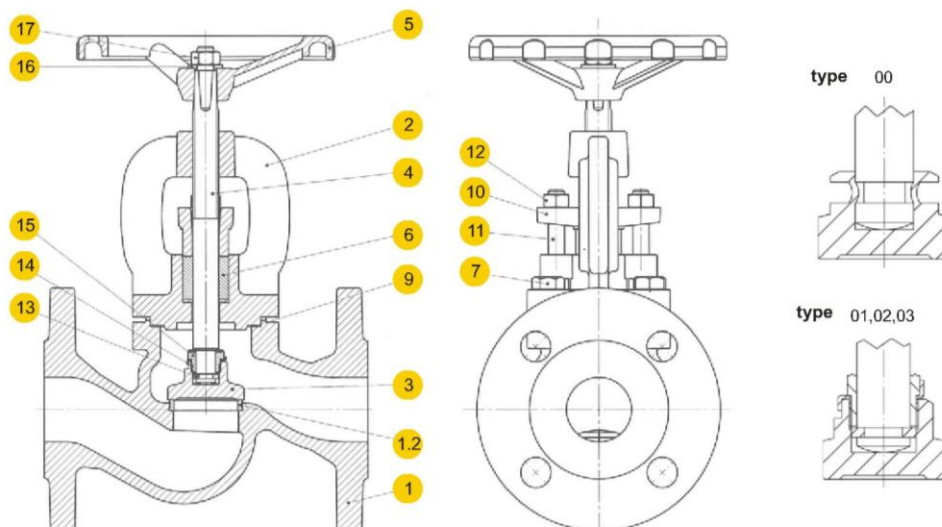
correspond to the pressure equipment directive 97/23/EC  
marking CE for DN  $\geq 32$

## FEATURES

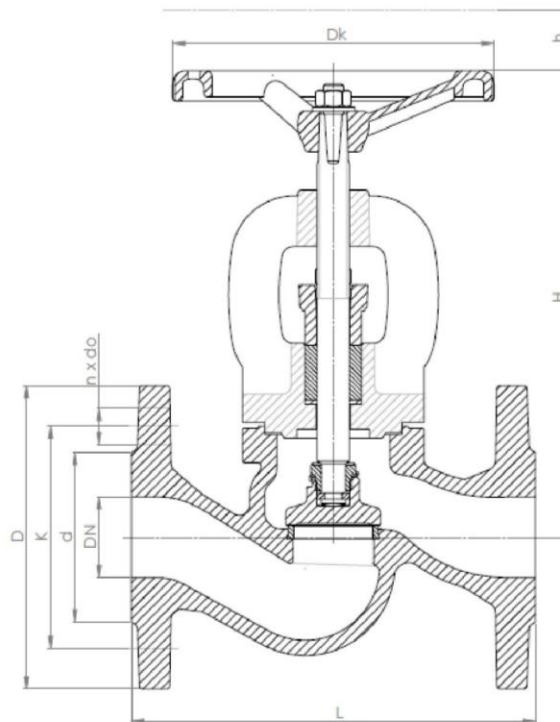
- high tightness (leak proofness class - A acc. EN-12266-1)
- compact settlement
- environment-friendly
- tests acc. EN-12266-1
- flanges drilled according to EN 1092-2 for body material A, C, E
- flanges drilled according to EN 1092-1 for body material F
- face-to-face dimension according to EN 558-1 series 1


## APPLICATION

- hot and cold cooling water plants
- steam plants
- industrial technologies
- heat engineering
- power engineering

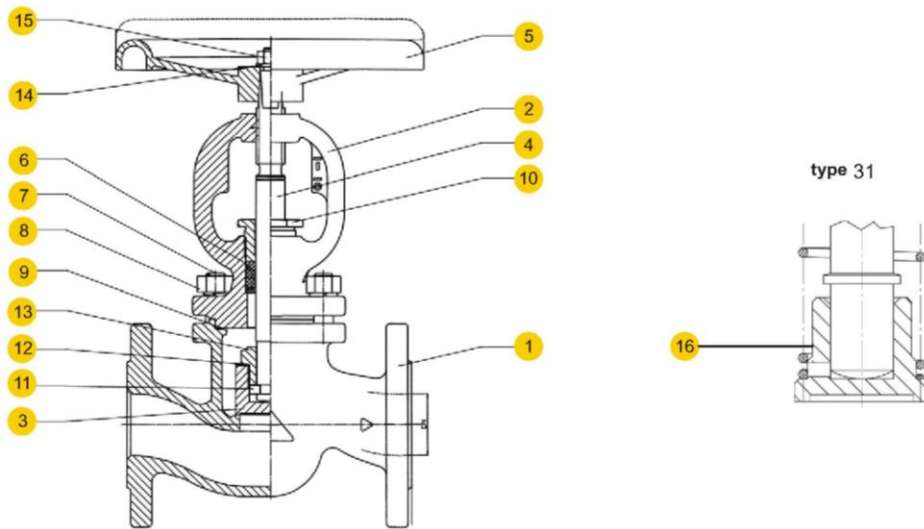
**MATERIALS**
**STOPV ALVE**


	bodymaterial	A			C			E
		type	00	01;04;71;91	02;05;72;92	03;13	01;04;71;91	02;05;72;92
1	body	EN-GJL-250 JL1040			EN-GJS-400-18-L T JS1025			CuSn5Zn5Pb5-C CC491K
1.2	seating	X12Cr13 1.4006	CuSn10-C CC480K		X12Cr13 1.4006	CuSn10-C CC480K		CuSn5Zn5Pb5-C CC491K
2	bonnet	EN-GJL-250 JL 1040			EN-GJS-400-18-L T JS1025			CuSn5Zn5Pb5-C CC491K
3	disc	X20Cr13 1.4021	CuSn10-C CC480K		X20Cr13 1.4021	CuSn10-C CC480K		CuSn5Zn5Pb5-C CC491K
4	stem	X20Cr13 1.4021	CuZn40Mn1,5	CuSn10-C CC480K	X20Cr13 1.4021	CuZn40Mn1,5	CuSn10-C CC480K	CuZn35Ni
5	hand-wheel	EN-GJS500-7 JS1050						
6	glandpacking	graphite						
7	hexagonbolt	8.8			A2-70	8.8		A2-70
9	gasket	graphite+NiCr						
10	gland	EN-GJL250 JL1040			EN-GJS400-18-L T JS1025			CuSn5Zn5Pb5-C CC491K
11	T-bolt	5.8+zincgalvanized						
12	nut	8+zincgalvanized						
13	ring	-----	X20Cr13 1.4021	CuSn10-C CC480K	X20Cr13 1.4021	CuSn10-C CC480K		CuSn5Zn5Pb5-C CC491K
14	washer	-----	X6CrNiTi18-10 1.4541	CuSn6	X6CrNiTi18-10 1.4541	CuSn6		CuSn6
15	screw	-----	X20Cr13 1.4021	CuSn10-C CC480K	X20Cr13 1.4021	CuSn10-C CC480K		CuSn5Zn5Pb5-C CC491K
16	washer	carbonsteel+zincgalvanized						
17	nut	8+zincgalvanized						
	max.temperature	300°C	300°C	225°C	350°C	225°C	225°C	200°C



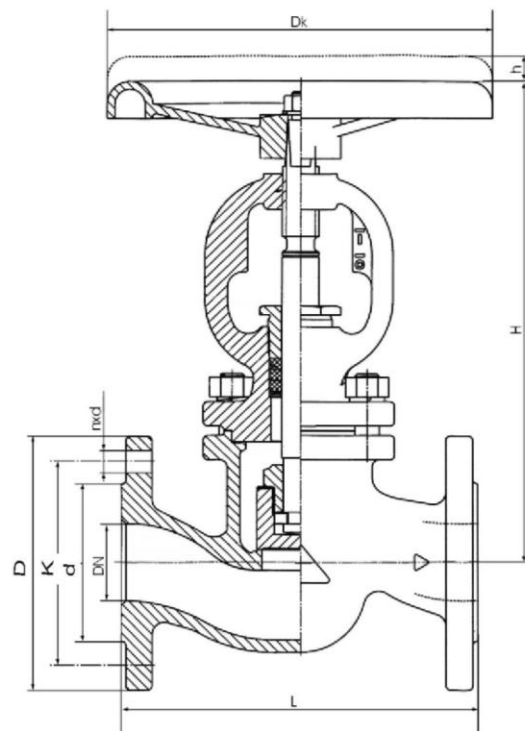
DN	PN6				PN16				PN25				PN6,16,25					K v s
	D	d	K	nxd	D	d	K	nxd	D	d	K	nxd	Dk	h	L	H		
mm																kg	m <sup>3</sup> /h	
15	80	38	55	4x11	95	46	65	4x14	95	46	65	4x14	100	5	130	167	3,3	5,9
20	90	48	65	4x11	105	56	75	4x14	105	56	75	4x14	100	5,5	150	167	3,9	7,4
25	100	58	75	4x11	115	65	85	4x14	115	65	85	4x14	120	7	160	175	5,0	13,0
32	120	69	90	4x14	140	76	100	4x19	140	76	100	4x19	120	14	180	186	6,6	18,0
40	130	78	100	4x14	150	84	110	4x19	150	84	110	4x19	160	20	200	235	8,4	30,0
50	140	88	110	4x14	165	99	125	4x19	165	99	125	4x19	160	25	230	248	12,0	41,0
65	160	108	130	4x14	185	118	145	4x19	185	118	145	8x19	180	35	290	260	17,3	79,0
80	190	124	150	4x19	200	132	160	8x19	200	132	160	8x19	200	41	310	291	22,7	115
100	210	144	170	4x19	220	156	180	8x19	235	156	190	8x23	250	31	350	338	35,8	181
125	240	174	200	8x19	250	184	210	8x19	270	184	220	8x28	250	48	400	384	52,8	225
150	265	199	225	8x19	285	211	240	8x23	300	211	250	8x28	320	54	480	429	74,2	364
200	320	254	280	8x19	340	266	295	12x23	360	274	310	12x28	360	77	600	529	126	690
250	-	-	-	-	405	319	355	12x28	-	-	-	-	360	120	730	638	200	1010
300	-	-	-	-	460	370	410	12x28	-	-	-	-	500	120	850	710	315	1460


## MATERIALS



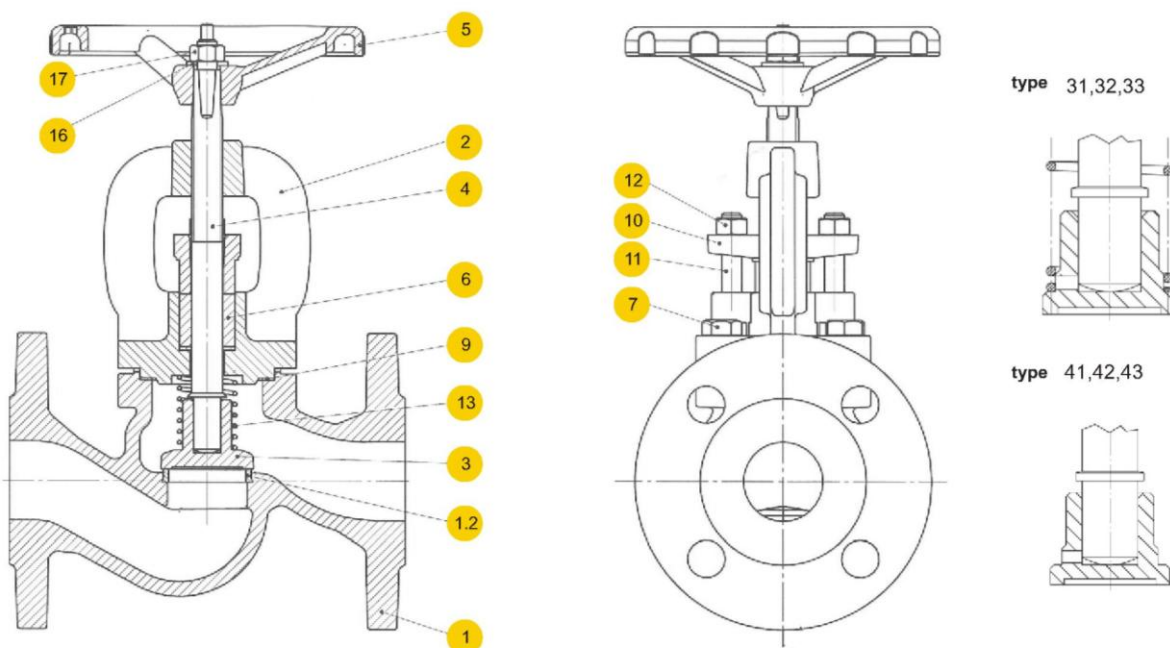
		bodematerial	
		F	
		01,71	31
type			
1	body	GP240GH+N 1.0619	
1.2	seating	X20Cr13 1.4006	
2	bonnet	GP240GH+N 1.0619	
3	disc	X20Cr13 1.4021	
4	stem	X20Cr13 1.4021	
5	hand-wheel	EN-GJS-400-18-LT JS1025	
6	glandpacking	all-graphite	
7	studbolt	42CrMo5 1.7233	
8	nut	C35 1.1181	
9	gasket	graphite+NiCr	
10	gland	11SMnPb30 1.0718	
11	ring	X20Cr13 1.4021	-----
12	washer	X6CrNiTi18-10 1.4541	-----
13	screw	X20Cr13 1.4021	-----
14	washer	carbonsteel+zincgalvanised	
15	nut	carbonsteel+zincgalvanised	
16	spring	-----	X17CrNi16-2 1.4057
max.temperature		400°C	

## DIMENSIONS



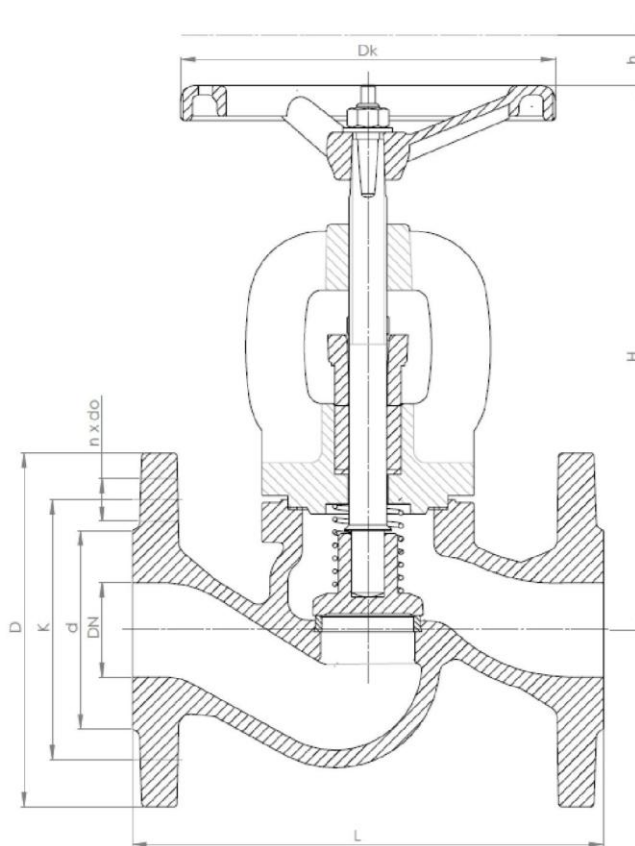
DN	PN40									
	D	d	K	nxd	h	H	L	Dk	K <sub>v s</sub>	
mm									m <sup>3</sup> /h	kg
15	95	45	65	4×14	6	189	130	120	4,3	4,3
20	105	58	75	4×14	6	189	150	120	7,0	5,1
25	115	68	85	4×14	6	189	160	120	11,0	5,8
32	140	78	100	4×18	10	220	180	160	17,5	9,5
40	150	88	110	4×18	10	220	200	160	27,0	9,8
50	165	102	125	4×18	16,5	295	230	195	47,0	17,5
65	185	122	145	8×18	16,5	295	290	195	68,0	20,5
80	200	138	160	8×18	25	368	310	280	116,0	34
100	235	162	190	8×22	25	368	350	280	162,0	44
125	270	188	220	8×26	40	523	400	350	250,0	77
150	300	218	250	8×26	40	523	480	350	364,0	113
200	375	285	320	12×30	92	576	600	400	550,0	180



**MATERIALS**
**SCREW-DOWNSTOP AND CHECK VALVE**


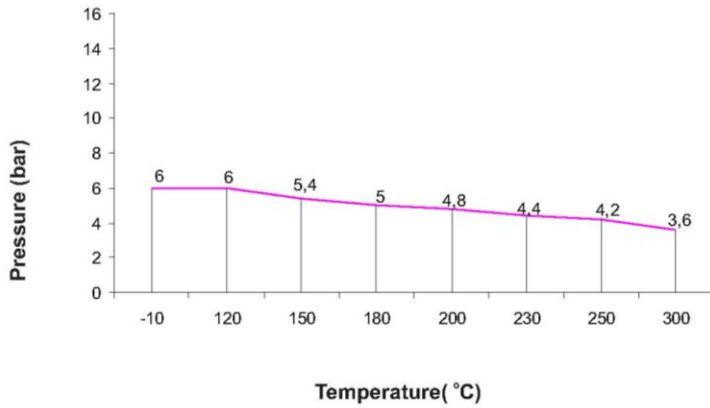
	body material	A			C			E
		type	31;41*	32;42*	33;43*	31;41*	32;42*	33;43*
1	body		EN-GJL250 JL1040		EN-GJS400-18-L T JS1025			CuSn5Zn5Pb5-C CC491K
1.2	seating	X12Cr13 1.4006	CuSn10-C CC480K		X12Cr13 1.4006	CuSn10-C CC480K		CuSn5Zn5Pb5-C CC491K
2	bonnet		EN-GJL250 JL1040		EN-GJS400-18-L T JS1025			CuSn5Zn5Pb5-C CC491K
3	disc	X20Cr13 1.4021	CuSn10-C CC480K		X20Cr13 1.4021	CuSn10-C CC480K		CuSn5Zn5Pb5-C CC491K
4	stem	X20Cr13 1.4021	CuZn40Mn1,5	CuSn10-C	X20Cr13 1.4021	CuZn40Mn1,5	CuSn10-C	CuZn35Ni
5	hand-wheel		EN-GJS500-7 JS1050					
6	gland packing		all-graphite					
7	hexagon bolt		8.8		A2-70	8.8		A2-70
9	gasket		graphite+NiCr					
10	gland		EN-GJL250 JL1040		EN-GJS400-18-L T JS1025			CuSn5Zn5Pb5-C CC491K
11	T-bolt		5.8+zincgalvanized					A2-70
12	nut		8+zincgalvanized					A2-70
13	spring	X17CrNi16-2	X17CrNi16-2 1.4057	X17CrNi16-2	X17CrNi16-2 1.4057	X17CrNi16-2		CuSn6
14	washer		carbonsteel+zincgalvanized					X5CrNi18-10 1.4301
15	nut		8zinegalvanized					A2-70
	max. temperature	350°C	225°C	225°C	350°C	225°C	225°C	200°C

\*bezsprężyny/without spring

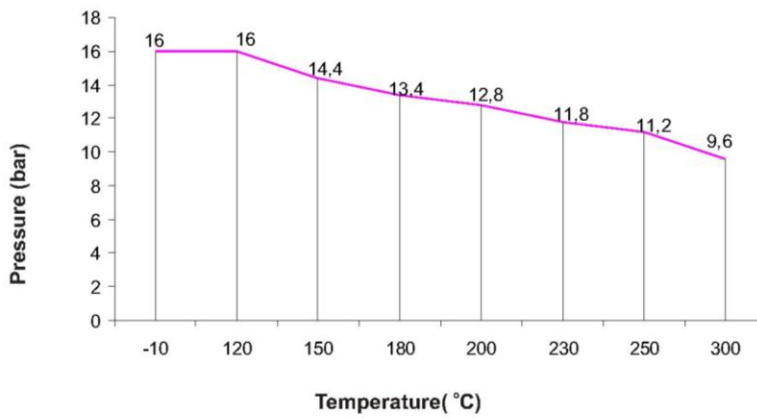


DN	PN6				PN16				PN25				PN 6,16,25				kg	m³/h
	D	d	K	nxd	D	d	K	nxd	D	d	K	nxd	Dk	h	L	H		
mm																		
15	80	38	55	4x11	95	46	65	4x14	95	46	65	4x14	100	5	130	167	3,3	5,9
20	90	48	65	4x11	105	56	75	4x14	105	56	75	4x14	100	5,5	150	167	3,9	7,4
25	100	58	75	4x11	115	65	85	4x14	115	65	85	4x14	120	7	160	175	5	13
32	120	69	90	4x14	140	76	100	4x19	140	76	100	4x19	120	14	180	186	6,6	18
40	130	78	100	4x14	150	84	110	4x19	150	84	110	4x19	160	20	200	235	8,4	30
50	140	88	110	4x14	165	99	125	4x19	165	99	125	4x19	160	25	230	248	12	41
65	160	108	130	4x14	185	118	145	4x19	185	118	145	8x19	180	35	290	260	17,3	79
80	190	124	150	4x19	200	132	160	8x19	200	132	160	8x19	200	41	310	291	22,7	115
100	210	144	170	4x19	220	156	180	8x19	235	156	190	8x19	250	31	350	338	35,8	181
125	240	174	200	8x19	250	184	210	8x19	270	184	220	8x23	250	48	400	384	52,8	225
150	265	199	225	8x19	285	211	240	8x23	300	211	250	8x28	320	54	480	429	74,2	364
200	320	254	280	8x19	340	266	295	12x23	360	274	310	12x28	360	77	600	529	126	690
250	-	-	-	-	405	355	355	12x28	-	-	-	-	360	120	730	638	200	1010
300	-	-	-	-	460	370	410	12x28	-	-	-	-	500	120	850	710	315	1460

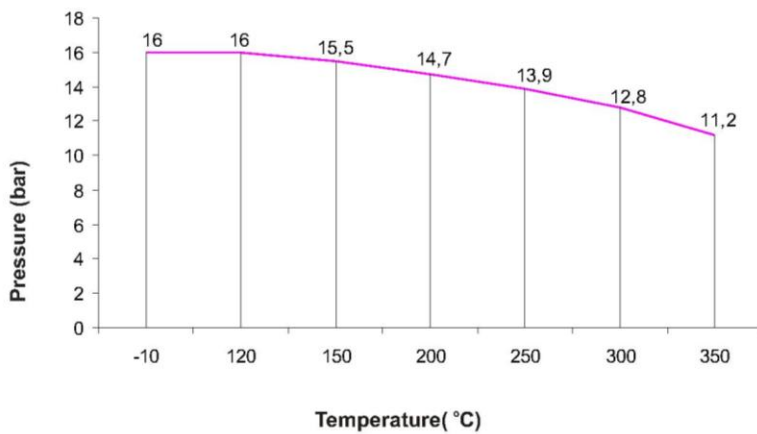
**PRESSURE-TEMPERATURERÅTINGS**



Allowed working conditions range  
PN6EN-GJL-250



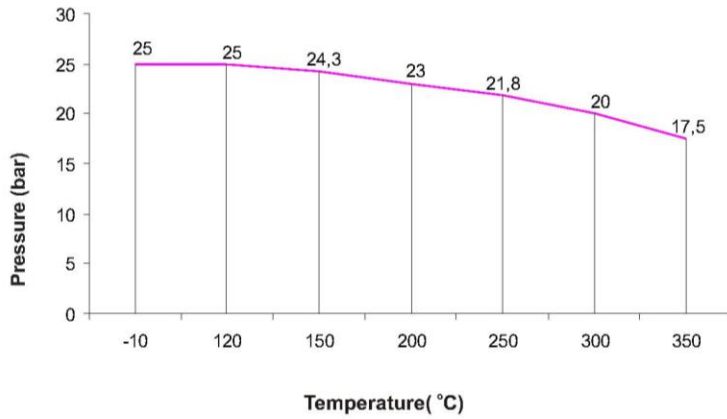
Allowed working conditions range  
PN16EN-GJL-250



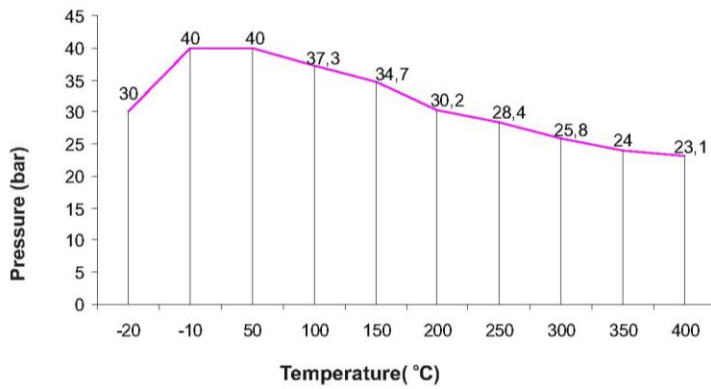
Allowed working conditions range  
PN16EN-GJS-400-18-L T



**PRESSURE-TEMPERATURERATING**



Allovedworkingconditionsrange  
PN25EN-GJS-400-18-L T



Allovedworkingconditionsrange  
PN40GP24GH1.0619

## TYPES

figure	body material	nominal diameter DN	nominal pressure PN	type
215	A grey cast iron EN-GJL-250	15-50 mm	A 6bar	00 • stem and disc connection - fixed-rolled • stem, disc and seating - stainless steel
		15-150 mm	A 6bar	01 • stem and disc connection - nut • stem, disc and seating - stainless steel
		200-300 mm	A 6bar	04 • stem and disc connection - nut • stem, disc and seating - stainless steel • balancing disc
		15-150 mm	A 6bar	02 • stem and disc connection - nut • stem - brass, disc and seating - bronze
		200-300 mm	A 6bar	05 • stem and disc connection - nut • stem - brass, disc and seating - bronze • balancing disc
		15-150 mm	A 6bar	03 • stem and disc connection - nut • stem, disc and seating - bronze
		200-300 mm	A 6bar	13 • stem and disc connection - nut • stem, disc and seating - bronze • balancing disc
		15-300 mm	A 6bar	31 • loose disc with spring • stem, disc and seating - stainless steel
		15-300 mm	A 6bar	41 • loose disc without spring • stem, disc and seating - stainless steel
		15-300 mm	A 6bar	32 • loose disc with spring • stem - brass, disc and seating - bronze
		15-300 mm	A 6bar	42 • loose disc without spring • stem - brass, disc and seating - bronze
		15-300 mm	A 6bar	33 • loose disc with spring • stem, disc and seating - bronze
		15-300 mm	A 6bar	43 • loose disc without spring • stem, disc and seating - bronze
		15-300 mm	A 6bar	71 • stem and disc connection - nut • stem, throttling disc and seating - stainless steel • throttling disc • without position indicator
		15-300 mm	A 6bar	91 • stem and disc connection - nut • stem, throttling disc and seating - stainless steel • throttling disc • with position indicator
		15-200 mm	A 6bar	72 • stem and disc connection - nut • stem - brass, throttling disc and seating - bronze • throttling disc • without position indicator
		15-200 mm	A 6bar	92 • stem and disc connection - nut • stem - brass, throttling disc and seating - bronze • throttling disc • with position indicator

## TYPES

figure	body material	nominal diameter DN	nominal pressure PN	type
215	A grey cast iron EN-GJL-250	15-50 mm	C 16bar	<b>00</b> * stem and disc connection - fixed-rolled * stem, disc and seating - stainless steel
		15-150 mm	C 16bar	<b>01</b> * stem and disc connection - nut * stem, disc and seating - stainless steel
		200-300 mm	C 16bar	<b>04</b> * stem and disc connection - nut * stem, disc and seating - stainless steel * balancing disc
		15-150 mm	C 16bar	<b>02</b> * stem and disc connection - nut * stem - brass, disc and seating - bronze
		200-300 mm	C 16bar	<b>05</b> * stem and disc connection - nut * stem - brass, disc and seating - bronze * balancing disc
		15-150 mm	C 16bar	<b>03</b> * stem and disc connection - nut * stem, disc and seating - bronze
		200-300 mm	C 16bar	<b>13</b> * stem and disc connection - nut * stem, disc and seating - bronze * balancing disc
		15-300 mm	C 16bar	<b>31</b> * loose disc with spring * stem, disc and seating - stainless steel
		15-300 mm	C 16bar	<b>41</b> * loose disc without spring * stem, disc and seating - stainless steel
		15-300 mm	C 16bar	<b>32</b> * loose disc with spring * stem - brass, disc and seating - bronze
		15-300 mm	C 16bar	<b>42</b> * loose disc without spring * stem - brass, disc and seating - bronze
		15-300 mm	C 16bar	<b>33</b> * loose disc with spring * stem, disc and seating - bronze
		15-300 mm	C 16bar	<b>43</b> * loose disc without spring * stem, disc and seating - bronze
		15-300 mm	C 16bar	<b>71</b> * stem and disc connection - nut * stem, throttling disc and seating - stainless steel * throttling disc * without position indicator
		15-300 mm	C 16bar	<b>91</b> * stem and disc connection - nut * stem, throttling disc and seating - stainless steel * throttling disc * with position indicator
		15-200 mm	C 16bar	<b>72</b> * stem and disc connection - nut * stem - brass, throttling disc and seating - bronze * throttling disc * without position indicator
		15-200 mm	C 16bar	<b>92</b> * stem and disc connection - nut * stem - brass, throttling disc and seating - bronze * throttling disc * with position indicator

## TYPES

figure	body material	nominal diameter DN	nominal pressure PN	type
215	C nodular cast iron EN-GJS-400-18-LT	15-150 mm	C 16bar	01 * stem and disc connection-nut * stem, disc and seating-stainless steel
		200 mm	C 16bar	04 * stem and disc connection-nut * stem, disc and seating-stainless steel * balancing disc
		15-150 mm	C 16bar	02 * stem and disc connection-nut * stem-brass, disc and seating-bronze
		200 mm	C 16bar	05 * stem and disc connection-nut * stem-brass, disc and seating-bronze * balancing disc
		15-150 mm	C 16bar	03 * stem and disc connection-nut * stem, disc and seating-bronze
		200 mm	C 16bar	13 * stem and disc connection-nut * stem, disc and seating-bronze * balancing disc
		15-200 mm	C 16bar	31 * loose disc with spring * stem, disc and seating-stainless steel
		15-200 mm	C 16bar	41 * loose disc without spring * stem, disc and seating-stainless steel
		15-200 mm	C 16bar	32 * loose disc with spring * stem-brass, disc and seating-bronze
		15-200 mm	C 16bar	42 * loose disc without spring * stem-brass, disc and seating-bronze
		15-200 mm	C 16bar	33 * loose disc with spring * stem, disc and seating-bronze
		15-200 mm	C 16bar	43 * loose disc without spring * stem, disc and seating-bronze
		15-200 mm	C 16bar	71 * stem and disc connection-nut * stem, throttling disc and seating-stainless steel * throttling disc * without position indicator
		15-200 mm	C 16bar	91 * stem and disc connection-nut * stem, throttling disc and seating-stainless steel * throttling disc * with position indicator
		15-200 mm	C 16bar	72 * stem and disc connection-nut * stem-brass, throttling disc and seating-bronze * throttling disc * without position indicator
		15-200 mm	C 16bar	92 * stem and disc connection-nut * stem-brass, throttling disc and seating-bronze * throttling disc * with position indicator



## TYPES

figure	body material	nominal diameter DN	nominal pressure PN	type
215	C nodular cast iron EN-GJS-400-18-LT	15-150 mm	D 25bar	01 * stem and disconnection nut * stem, disc and seating - stainless steel
		200 mm	D 25bar	04 * stem and disconnection nut * stem, disc and seating - stainless steel * balancing disc
		15-150 mm	D 25bar	02 * stem and disconnection nut * stem - brass, disc and seating - bronze
		200 mm	D 25bar	05 * stem and disconnection nut * stem - brass, disc and seating - bronze * balancing disc
		15-150 mm	D 25bar	03 * stem and disconnection nut * stem, disc and seating - bronze
		200 mm	D 25bar	13 * stem and disconnection nut * stem, disc and seating - bronze * balancing disc
		15-200 mm	D 25bar	31 * loose disc with spring * stem, disc and seating - stainless steel
		15-200 mm	D 25bar	41 * loose disc without spring * stem, disc and seating - stainless steel
		15-200 mm	D 25bar	32 * loose disc with spring * stem - brass, disc and seating - bronze
		15-200 mm	D 25bar	42 * loose disc without spring * stem - brass, disc and seating - bronze
		15-200 mm	D 25bar	33 * loose disc with spring * stem, disc and seating - bronze
		15-200 mm	D 25bar	43 * loose disc without spring * stem, disc and seating - bronze
		15-200 mm	D 25bar	71 * stem and disconnection nut * stem, throttling disc and seating - stainless steel * throttling disc * without position indicator
		15-200 mm	D 25bar	91 * stem and disconnection nut * stem, throttling disc and seating - stainless steel * throttling disc * with position indicator

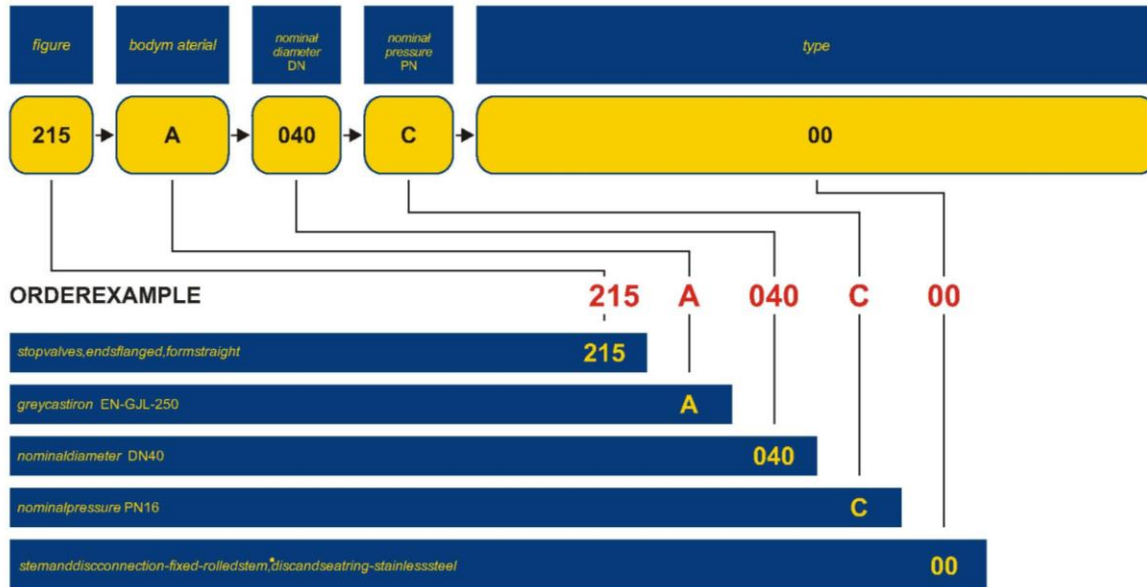


## TYPES

figure	body material	nominal diameter DN	nominal pressure PN	type
215	E bronze CuZn5Zn5Pb5-C	15-300 mm	C 16bar	03 * stem and disconnection nut * stem, disc and seating-bronze
		15-300 mm	C 16bar	33 * loose disc with spring * stem, disc and seating-bronze
		15-300 mm	C 16bar	43 * loose disc without spring * stem, disc and seating-bronze
		15-300 mm	C 16bar	23 * stem and disconnection nut * with position indicator * stem, disc and seating-bronze
		15-300 mm	C 16bar	53 * loose disc with spring * with position indicator * stem, disc and seating-bronze
		15-300 mm	C 16bar	63 * loose disc without spring * with position indicator * stem, disc and seating-bronze
		15-150 mm	C 16bar	73 * stem and disconnection nut * throttling disc-bronze * without position indicator
		15-150 mm	C 16bar	93 * stem and disconnection nut * throttling disc-bronze * with position indicator
	F stainless steel GP240GH1.0619	15-150 mm	E 40bar	01 * stem and disconnection nut * stem, disc and seating-stainless steel
		200 mm	E 40bar	00 * stem and disconnection balls * stem, throttling disc and seating-stainless steel
		15-200 mm	E 40bar	31 * loose disc with spring * stem, disc and seating-stainless steel
		15-200 mm	E 40bar	71 * stem and disconnection nut * stem, disc and seating-stainless steel * throttling disc

## ORDERING

Top place an order please use our product number (index)



EN10.204 3.1 Test certificate is standard.

Material foundry approved by GL, DNV, LR



Certificate No : MD00/2947/0003/5

ZETKAMA S.A.  
ul. 3 Maja 12  
57-410 Scinawka Srednia  
Poland

has been approved as a manufacturer in accordance with the requirements of Lloyd's Register for :-

**Castings in Grey and Spheroidal Graphite Iron**  
( maximum weight 160 Kg )

This approval is subject to compliance with the Rules for the Manufacture, Testing and Certification of Materials.

Lloyd's Register is to be notified of any change that may affect the validity of this Certificate.

This Certificate is issued to the above manufacturer and is valid until the date given below.

Valid Until : 27 January 2012  
Date of Issue : 18 March 2009

*W. Wistanc*

**W Wistanc**  
Senior Metallurgical Specialist to Lloyd's Register EMEA  
A member of the Lloyd's Register Group



Lloyd's Register, its affiliates and subsidiaries and their respective officers, employees or agents are, individually and collectively, referred to in this clause as the "Lloyd's Register Group". The Lloyd's Register Group assumes no responsibility and shall not be liable to any person for any loss, damage or expense caused by reliance on the information or advice in this document or howsoever provided, unless that person has signed a contract with the relevant Lloyd's Register Group entity for the provision of this information or advice and in that case any responsibility or liability is exclusively on the terms and conditions set out in that contract.

Approval of Material Manufacturers  
Zulassung von Werkstoffherstellern



This is to certify that the works of  
Herrn wird bescheinigt, dass die Firma

**ZETKAMA S.A.**  
**UL. 3 MAJA 12**  
**PL 57-410 SCINAWKA SREDNIA**  
**POLAND**

has been subjected to an approval test in accordance with the Society's Rules with satisfactory results and is approved for the manufacture of the following products:  
einer Zulassungsprüfung nach den Vorschriften des Germanischen Lloyd unterzogen wurde und für die Herstellung folgender Erzeugnisse zugelassen ist:

**Nodular cast iron**  
**in accordance with the GL-Rules for Metallic Materials**  
**Chapter 2, Section 5, B.**

This approval is granted provided that all products intended to be used for the construction of ships or installations classed with Germanischer Lloyd comply in every respect with the Society's Rules and Requirements. Die Zulassung erfolgt unter der Voraussetzung, dass alle Erzeugnisse, die zum Bau von Schiffen und Anlagen mit Klasse des Germanischen Lloyd bestimmt sind, die Vorschriften des Germanischen Lloyd in jeder Hinsicht erfüllen.

Certificate of approval No. WZ 2275 HH  
Zulassungsbescheinigung Nr.

This Certificate is valid until: 2013-11-28  
Diese Bescheinigung ist gültig bis:

Part of the approval is our letter of approval ref. no. 116036-10 of 2010-11-29.  
Bestandteil der Zulassung ist das Zulassungsanschreiben, Tgl. Nr. 116036-10 vom 2010-11-29.  
Hamburg, 2010-11-29

Germanischer Lloyd

*M. Kühnel*  
Michael Kühnel

*C. Wildhagen*  
Christian Wildhagen

**DET NORSKE VERITAS**  
**APPROVAL OF MANUFACTURER**  
**CERTIFICATE**

CERTIFICATE NO. AMM-4196

This is to certify that  
**ZETKAMA S.A.**  
Scinawka Srednia, Poland

is an approved manufacturer of  
**Iron Castings**

in accordance with  
Det Norske Veritas' Rules for Classification Pt. 2  
and the following particulars:

Iron types Grey,  
Nodular, grades NV1, NV 2 and 370 to 800  
Max. weight 153.5 kg

Place and date  
Hovik, 2009-07-13  
for DET NORSKE VERITAS AS

*H. Drange*  
Helge Drange  
Head of Section

*S. Yagnanna*  
Sastry Yagnanna Kandukuri  
Surveyor

This Certificate is valid until  
2013-06-30

Local Office  
DNV Katowice

DET NORSKE VERITAS AS VERITADVEEN 1, 1322 HØVIK, NORWAY TEL (+47) 87 87 88 00 FAX (+47) 87 87 88 11  
Form No. 20 90a Issue January 08 Page 1 of 1

**BUREAU VERITAS**  
Certification

Certyfikat  
Przeznany firmie  
**ZETKAMA S.A.**  
ul. 3 Maja 12, 57-410 SCINAWKA ŚREDNIA

Bureau Veritas Certification zaświadcza, że System Zarządzania wyżej wymienionej organizacji został oceniony i uznany jako zgodny z wymaganiami norm i zakresem usług wyszczególnionych poniżej

**NORMY**

**ISO 9001:2008**

ZAKRES CERTYFIKACJI

PROJEKTOWANIE, KONSTRUOWANIE, PRODUKCJA, SPRZEDAŻ  
ARMATURY PRZEMYSŁOWEJ I OLEWÓW Z ŻELIWA SZAREGO,  
SFEROIDALNEGO, BRĄZU I STALIWA NA CIŚNIENIE NOMINALNE  
PN 0,6-4,0 MPa, DO TEMPERATURY CZYNNIKA MAX 400°C  
W ZAKRESIE ŚREDNIC NOMINALNYCH DN 10-400 mm.

Data przyznania certyfikatu: 30 listopada 2009

Pod warunkiem stałego zaktualizowanego działania Systemu Zarządzania, certyfikat jest ważny do: 27 grudnia 2012

W celu przedłużenia ważności niniejszego certyfikatu prosimy o kontakt: +48 22 549 04 00  
Proszymy o dostarczenie certyfikatu wraz z wymagalnymi opłatami w celu przedłużenia ważności certyfikatu.

Data wydania: 30 listopada 2009

Numer Certyfikatu: PL9000401P  
*M. Rutkowska*  
Marta Rutkowska