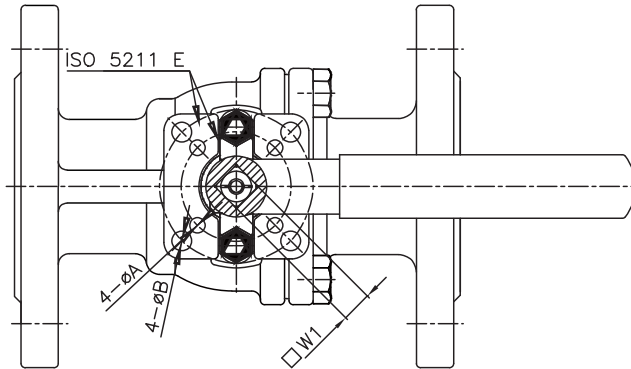


STAINLESS STEEL 316/1.4408

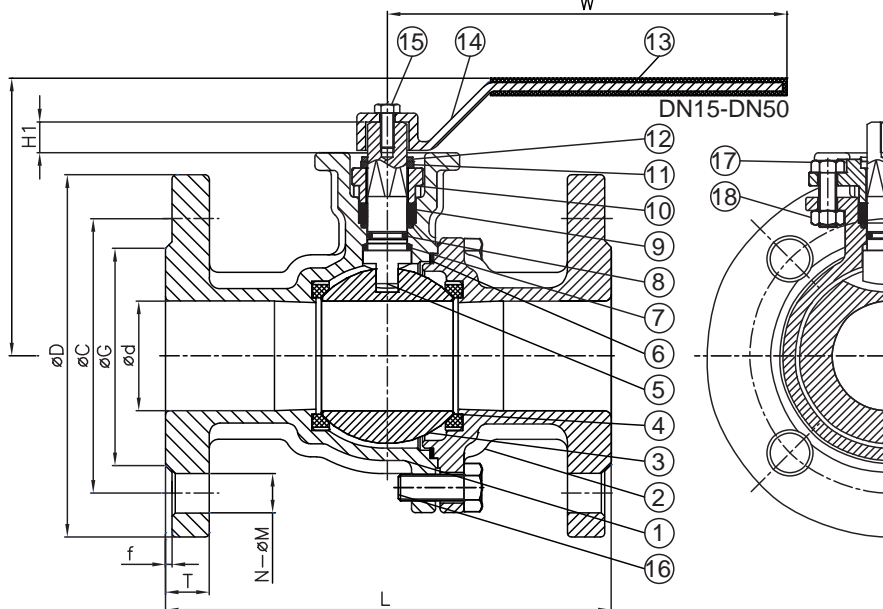
FEATURES:

- FACE TO FACE DIMENSION: DIN 3202-F4 / F5
- END FLANGE DIMENSION: PN16 DIN 2633
- DESIGN:ANSI B16.34
- TEST: EN 12266-1
- WITH ISO 5211 MOUNTING PAD
- INVESTMENT CASTING BODY
- BLOW-OUT PROOF STEM / FULL PORT
- LEVER OPERATED
- MATERIAL:STAINLESS STEEL 316/1.4408



MATERIALS LIST:

NO.	PART NAME	MATERIAL
1	BODY	1.4408
2	CAP	1.4408
3	BALL	1.4408
4	SEAT	PTFE
5	STEM	SUS316
6	GASKET	PTFE
7	THRUST WASHER	PEEK+PTFE
8	O-RING	VITON
9	PACKING	PTFE
10	GLAND	CF8
11	STOPPER	SUS304
12	SNAP RING	SUS304
13	PLASTIC COVER	PLASTIC
14	HANDLE	SUS304
15	BOLT	SUS304
16	BOLT	SUS304
17	BOLT	SUS304
18	NUT	SUS304



DIMENSIONS:

SIZE	d	D	C	G	f	T	N-ØM	L	H	H1	W	W1	ISO 5211	E	A	B
15	15	95	65	45	2	14	4-Ø14	115	84	9	123	9	F03-F04	36-42	6	6
20	20	105	75	58	2	16	4-Ø14	120	94	9	123	9	F03-F04	36-42	6	6
25	25	115	85	68	2	16	4-Ø14	125	101	11	153	11	F04-F05	42-50	6	7
32	32	140	100	78	2	16	4-Ø18	130	108	11	153	11	F04-F05	42-50	6	7
40	40	150	110	88	3	16	4-Ø18	140	121	14	183	14	F05-F07	50-70	7	9
50	50	165	125	102	3	18	4-Ø18	150	127	14	183	14	F05-F07	50-70	7	9
65	65	185	145	122	3	18	4-Ø18	170	154	17	352	17	F07-F10	70-102	9	11
80	80	200	160	138	3	20	8-Ø18	180	165	17	352	17	F07-F10	70-102	9	11
100	100	220	180	158	3	20	8-Ø18	190	183	22	397	22	F10-F12	102-125	11	13
125	125	250	210	188	3	22	8-Ø18	325	229	27	708	27	F10-F12	102-125	11	13
150	150	285	240	212	3	22	8-Ø22	350	248	27	708	27	F10-F12	102-125	11	13
200	200	340	295	268	3	24	12-Ø22	400	304	36	920	36	F14	140		18

TEST PRESSURE:

SHELL(BY WATER)	345PSI
	24kg/cm ²
SEAT	250PSI
	17.5kg/cm ²
	85PSI
	6kg/cm ²

DRWN BY: ANGELA LIAO 30/10/13	UNIT: mm	DO NOT SCALE DRAWING		DIE ERSTE INDUSTRY CO., LTD, TAICHANG, TAIWAN
	PROJECT: 			
APPROVAL: BIBBY WANG 30/10/13	REMARK	SHEET 1 OF 1	TITLE: Two-Piece Mount Type Ball Valve DIN-PN16 Flange End	REV 1.0