

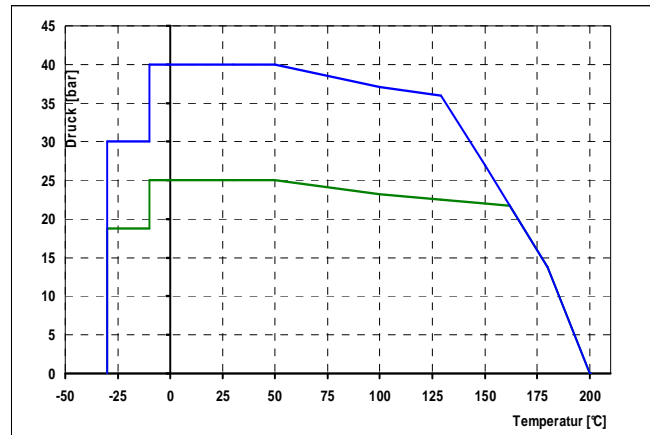
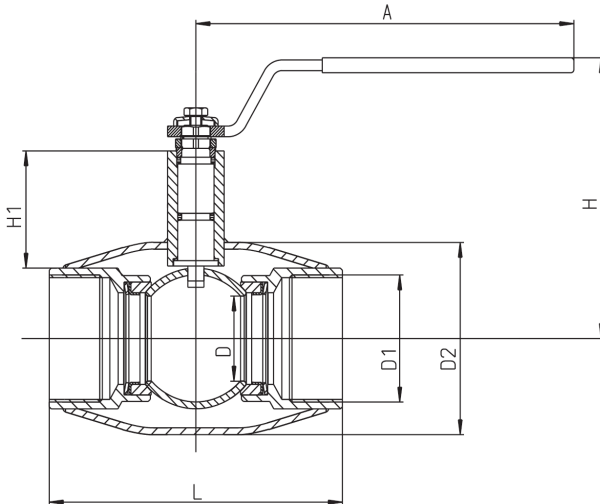
KLINGER Monoball® One-piece ball valves

CE
Conformity with Pressure
Equipment Directive 97/23/EC

Klinger Monoball® Ball Valve KHM-M/R-H

CE0408
 certified acc. to
PED Modul H

One piece ball valve with threaded connection, reduced bore
 both sides threaded connection, PN40
 thread acc. to ISO228/1
 material: steel, temperature range: 0°C until 200°C



_____ DN10 – DN50

Suggested order specification:

Monoball ball valve PN 40
 One piece ball valve, with reduced bore, maintenance free,
 O-Ring based stem sealing, bidirectional valve,
 Sealing element made of PTFE+C
 Ball and stem made of stainless steel, body made of steel,
 material code VIII, manufacturer: KLINGER



Material:
Body: steel, EN10217-2 P235GH (1.0345)
Ball: stainless steel, ENX5CrNi18-10 (1.4301)
Stem: stainless steel, ENX8CrNiS18-9 (1.4305)
O-Rings FPM (0°C – 200°C)
Sealing elements: PTFE+C

Hand lever:
 DN10 - DN50 galv. steel

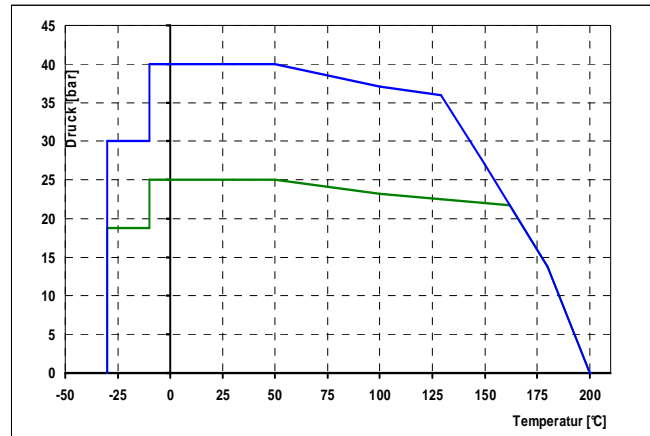
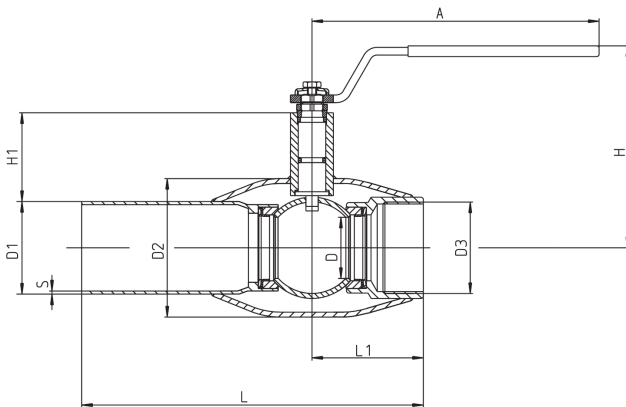
| DN | PN | D | D1 | D2 | H | H1 | L | A | weight |
|----|----|----|------|------|-----|----|-----|-----|--------|
| 10 | 40 | 10 | R3/8 | 33,7 | 126 | 49 | 75 | 141 | 0,4 |
| 15 | 40 | 10 | R1/2 | 33,7 | 126 | 48 | 75 | 141 | 0,4 |
| 20 | 40 | 15 | R3/4 | 42,4 | 130 | 48 | 75 | 141 | 0,5 |
| 25 | 40 | 20 | R1 | 48,3 | 113 | 46 | 90 | 150 | 0,8 |
| 32 | 40 | 25 | R1 ¼ | 60,3 | 116 | 44 | 105 | 150 | 1,1 |
| 40 | 40 | 32 | R1 ½ | 76,1 | 139 | 67 | 120 | 188 | 1,8 |
| 50 | 40 | 40 | R2 | 88,9 | 145 | 66 | 145 | 188 | 2,3 |

Klinger Monoball® Ball Valve KHM-SM/R-H

CE0408
 certified acc. to
PED Modul H

One piece ball valve with one side welding connection,
 one side threaded connection; reduced bore
 thread acc. to ISO228/1
 PN40

material: steel, temperature range: 0°C until 200°C



___ DN10 – DN50

Suggested order specification:

Monoball ball valve PN 40

One piece ball valve, with reduced bore, maintenance free,
 O-Ring based stem sealing, bidirectional valve,
 Sealing element made of PTFE+C
 Ball and stem made of stainless steel, body made of steel,
 material code VIII, manufacturer: KLINGER



Material:

Body: steel, EN10217-2 P235GH (1.0345)
Ball: stainless steel, ENX5CrNi18-10 (1.4301)
Stem: stainless steel, ENX8CrNiS18-9 (1.4305)
O-Rings FPM (0°C – 200°C)
Sealing elements: PTFE+C

Hand lever:

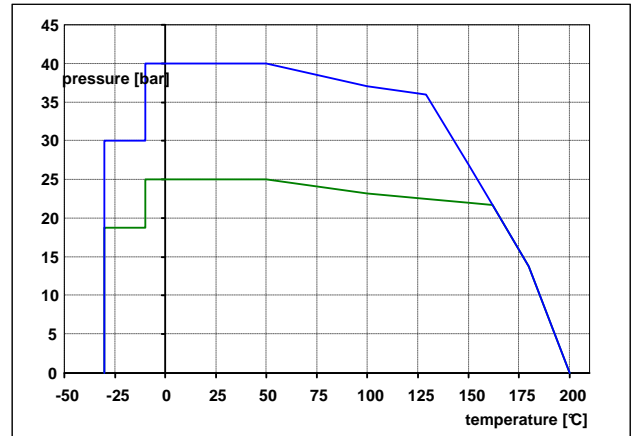
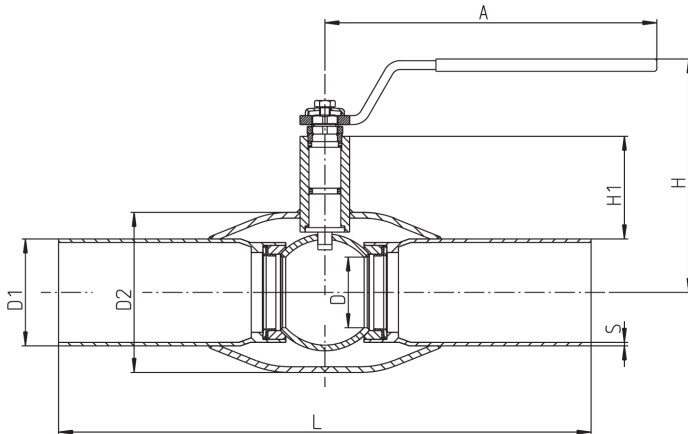
DN10 - DN50 galv. steel

| DN | PN | D | D1 | D2 | D3 | H | H1 | L | L1 | A | S | weight |
|----|----|----|------|------|------|-----|----|-----|----|-----|-----|--------|
| 10 | 40 | 10 | 17,2 | 33,7 | R3/8 | 126 | 49 | 153 | 38 | 141 | 2,0 | 0,5 |
| 15 | 40 | 10 | 21,3 | 33,7 | R1/2 | 126 | 49 | 153 | 38 | 141 | 2,0 | 0,5 |
| 20 | 40 | 15 | 26,9 | 42,4 | R3/4 | 130 | 51 | 153 | 38 | 141 | 2,3 | 0,6 |
| 25 | 40 | 20 | 33,7 | 48,3 | R1 | 113 | 49 | 160 | 45 | 150 | 2,6 | 0,9 |
| 32 | 40 | 25 | 42,4 | 60,3 | R1 ¼ | 116 | 48 | 183 | 53 | 150 | 2,6 | 1,3 |
| 40 | 40 | 32 | 48,3 | 76,1 | R1 ½ | 139 | 70 | 190 | 60 | 188 | 2,6 | 1,8 |
| 50 | 40 | 40 | 60,3 | 88,9 | R2 | 145 | 71 | 223 | 72 | 188 | 2,9 | 103 |

Klinger Monoball® Ball Valve KHM-S/R-H

CE0408
 certified acc. to
 PED Modul H

One piece ball valve with welding connection, reduced bore
 both sides butt weld ends, PN25, PN40
 material: steel, temperature range: 0°C until 200°C



— DN15 – DN50
 — DN65 – DN250

Suggested order specification:

Monoball ball valve PN 25 or PN 40
 One piece ball valve, with reduced bore, maintenance free,
 O-Ring based stem sealing, bidirectional valve,
 Sealing element made of PTFE+C
 Ball and stem made of stainless steel, body made of steel,
 material code VIII, manufacturer: KLINGER



Material:
Body: steel, EN10217-2 P235GH (1.0345)
Ball: stainless steel, ENX5CrNi18-10 (1.4301)
Stem: stainless steel, ENX8CrNiS18-9 (1.4305)
O-Rings: FPM (0°C – 200°C)
Sealing elements: PTFE+C

Hand lever:
 DN15 - DN150 galv. steel
 DN200 – DN250 C-Stahl, painted

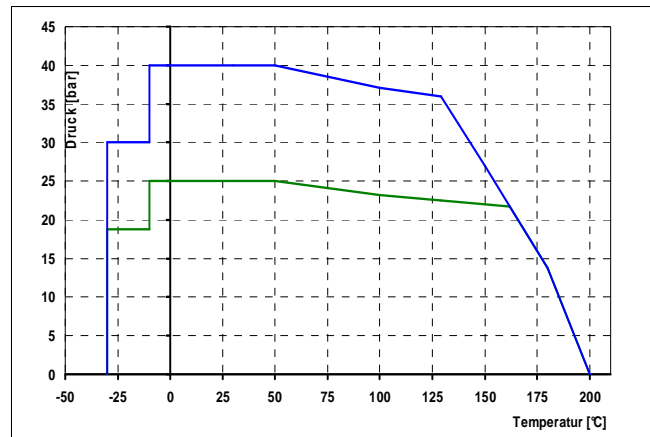
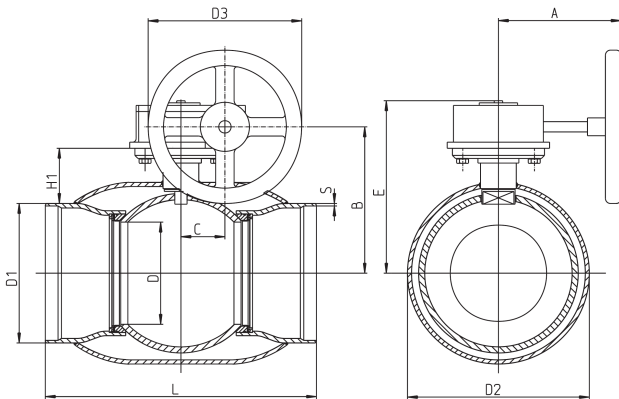
up from DN 150 we recommend the use of a manual gear box

| DN | PN | D | D1 | D2 | H | H1 | L | A | S | weight |
|-----|----|-----|-------|-------|-----|-----|-----|------|-----|--------|
| 15 | 40 | 10 | 21,3 | 33,7 | 126 | 49 | 230 | 141 | 2,0 | 0,6 |
| 20 | 40 | 15 | 26,9 | 42,4 | 130 | 51 | 230 | 141 | 2,3 | 0,8 |
| 25 | 40 | 20 | 33,7 | 48,3 | 113 | 49 | 230 | 150 | 2,6 | 1,0 |
| 32 | 40 | 25 | 42,4 | 60,3 | 116 | 48 | 260 | 150 | 2,6 | 1,4 |
| 40 | 40 | 32 | 48,3 | 76,1 | 139 | 70 | 260 | 188 | 2,6 | 2,1 |
| 50 | 40 | 40 | 60,3 | 88,9 | 145 | 71 | 300 | 188 | 2,9 | 2,7 |
| 65 | 25 | 50 | 76,1 | 114,3 | 195 | 86 | 300 | 282 | 2,9 | 4,3 |
| 80 | 25 | 65 | 88,9 | 139,7 | 207 | 92 | 300 | 282 | 3,2 | 5,5 |
| 100 | 25 | 80 | 114,3 | 168,3 | 227 | 97 | 325 | 282 | 3,6 | 8,8 |
| 125 | 25 | 100 | 139,7 | 177,8 | 288 | 139 | 325 | 421 | 4,0 | 13,8 |
| 150 | 25 | 125 | 168,3 | 219,1 | 322 | 145 | 350 | 600 | 4,5 | 18,7 |
| 200 | 25 | 150 | 219,1 | 273,0 | 281 | 92 | 400 | 870 | 4,5 | 36,0 |
| 250 | 25 | 200 | 273,0 | 355,6 | 341 | 108 | 530 | 1165 | 5,0 | 74 |

Klinger Monoball® Ball Valve KHM-S/R-G

CE0408
 certified acc. to
PED Modul H

One piece ball valve with welding connection, reduced bore
 both sides butt weld ends, PN25
 material: steel, temperature range: 0°C until 200°C



— DN125 – DN300

Suggested order specification:

Monoball ball valve PN 25

One piece ball valve, with reduced bore, maintenance free,
 O-Ring based stem sealing, bidirectional valve,

Sealing element made of PTFE+C

Ball and stem made of stainless steel, body made of steel,
 material code VIII, manufacturer: KLINGER

Material:

Body: steel, EN10217-2 P235GH (1.0345)
Ball: stainless steel, ENX5CrNi18-10 (1.4301)
Stem: stainless steel, ENX8CrNiS18-9 (1.4305)
O-Rings FPM (0°C – 200°C)
Sealing elements: PTFE+C

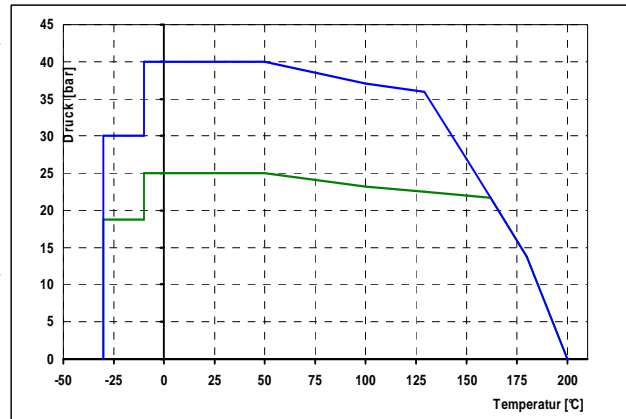
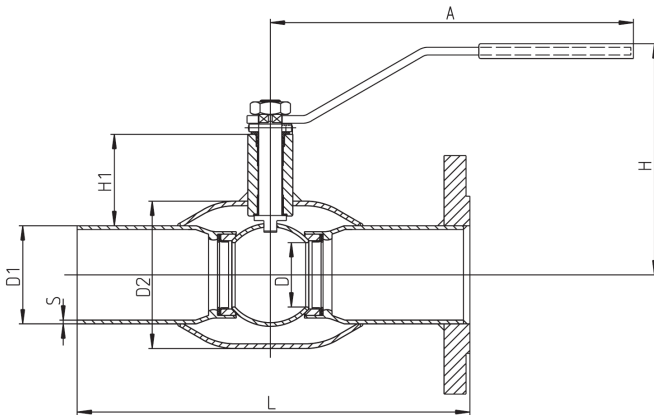


| DN | PN | D | D1 | D2 | D3 | H1 | A | B | C | E | L | S | weight |
|-----|----|-----|-------|-------|-----|-----|-----|-----|-----|-----|-----|-----|--------|
| 125 | 25 | 100 | 139,7 | 177,8 | 200 | 151 | 223 | 255 | 53 | 296 | 325 | 4,0 | 18 |
| 150 | 25 | 125 | 168,3 | 219,1 | 200 | 157 | 223 | 276 | 53 | 317 | 350 | 4,5 | 22 |
| 200 | 25 | 150 | 219,1 | 273 | 250 | 92 | 268 | 244 | 69 | 292 | 400 | 4,5 | 41 |
| 250 | 25 | 200 | 273,0 | 355,6 | 300 | 108 | 303 | 294 | 97 | 343 | 530 | 5,0 | 83 |
| 300 | 25 | 250 | 323,9 | 457,0 | 600 | 132 | 420 | 349 | 138 | 421 | 550 | 5,6 | 142 |

Klinger Monoball® Ball Valve KHM-FS/R-H

CE0408
 certified acc. to
PED Modul H

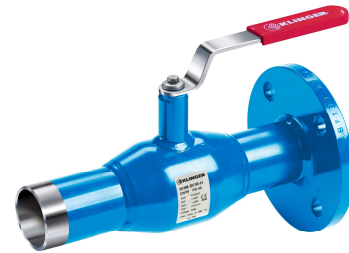
One piece ball valve with welding and flanged connection,
 reduced bore, one side butt weld ends,
 one side flanged connection acc. to EN 1092-1
 PN16, PN25, PN40
 material: steel, temperature range: 0°C until 200°C



— DN15 – DN50
 — DN65 – DN150

Suggested order specification:

Monoball ball valve PN 16, PN 25 or PN 40
 One piece ball valve, with reduced bore, maintenance free,
 O-Ring based stem sealing, bidirectional valve,
 Sealing element made of PTFE+C
 Ball and stem made of stainless steel, body made of steel,
 material code VIII, manufacturer: KLINGER



Material:
Body: steel, EN10217-2 P235GH (1.0345)
Ball: stainless steel, ENX5CrNi18-10 (1.4301)
Stem: stainless steel, ENX8CrNiS18-9 (1.4305)
O-Rings FPM (0°C – 200°C)
Sealing elements: PTFE+C

Hand lever:
 DN15 - DN150 galv. steel

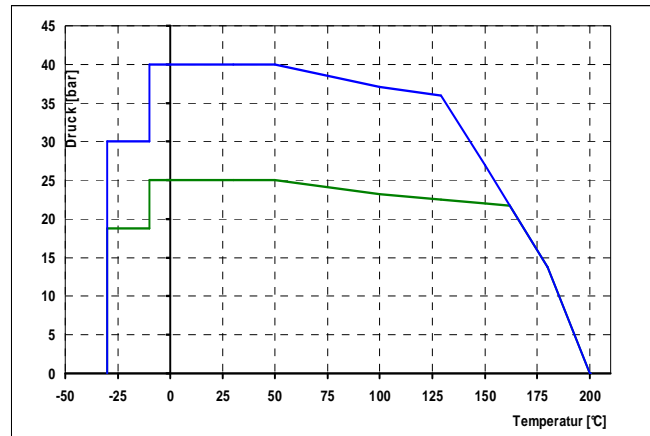
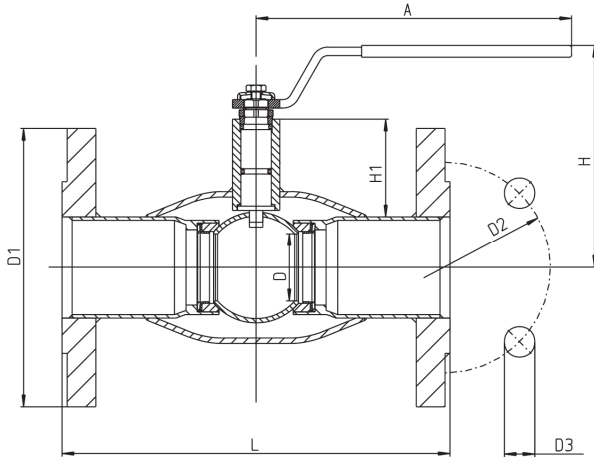
up from DN 150 we recommend the use of a manual gear box

| DN | PN | D | D1 | D2 | H | H1 | L | A | S | weight |
|-----|----|-----|-------|-------|-----|-----|-----|-----|-----|--------|
| 15 | 40 | 10 | 21,3 | 33,7 | 126 | 49 | 240 | 141 | 2,0 | 1,2 |
| 20 | 40 | 15 | 26,9 | 42,4 | 130 | 51 | 240 | 141 | 2,3 | 1,7 |
| 25 | 40 | 20 | 33,7 | 48,3 | 113 | 49 | 240 | 150 | 2,6 | 2,2 |
| 32 | 40 | 25 | 42,4 | 60,3 | 116 | 48 | 270 | 150 | 2,6 | 3,3 |
| 40 | 40 | 32 | 48,3 | 76,1 | 139 | 70 | 270 | 188 | 2,6 | 3,7 |
| 50 | 40 | 40 | 60,3 | 88,9 | 145 | 71 | 310 | 188 | 2,9 | 5,0 |
| 65 | 16 | 50 | 76,1 | 114,3 | 195 | 86 | 310 | 282 | 2,9 | 7,0 |
| 65 | 25 | 50 | 76,1 | 114,3 | 195 | 86 | 310 | 282 | 2,9 | 7,3 |
| 80 | 16 | 65 | 88,9 | 139,7 | 207 | 92 | 310 | 282 | 3,2 | 9,2 |
| 80 | 25 | 65 | 88,9 | 139,7 | 207 | 92 | 310 | 282 | 3,2 | 9,2 |
| 100 | 16 | 80 | 114,3 | 168,3 | 227 | 97 | 335 | 282 | 3,6 | 12,6 |
| 100 | 25 | 80 | 114,3 | 168,3 | 227 | 97 | 335 | 282 | 3,6 | 14,2 |
| 125 | 16 | 100 | 139,7 | 177,8 | 288 | 139 | 335 | 421 | 4,0 | 18,5 |
| 125 | 25 | 100 | 139,7 | 177,8 | 288 | 139 | 335 | 421 | 4,0 | 21,2 |
| 150 | 16 | 125 | 168,3 | 219,1 | 322 | 145 | 360 | 600 | 4,5 | 25,3 |
| 150 | 25 | 125 | 168,3 | 219,1 | 322 | 145 | 360 | 600 | 4,5 | 28,4 |

Klinger Monoball® Ball Valve KHM-F/R-H

CE0408
 certified acc. to
PED Modul H

One piece ball valve with flanged connection, reduced bore
 both sides flanges acc. to EN1092-1, PN25, PN40
 face to face acc. to EN558-1 GR1 resp. GR27
 PN16, PN25, PN40
 material: steel, temperature range: 0°C until 200°C



— DN15 – DN50
 — DN65 – DN150

Suggested order specification:

Monoball ball valve PN 16, PN 25 or PN 40
 One piece ball valve, with reduced bore, maintenance free,
 O-Ring based stem sealing, bidirectional valve,
 Sealing element made of PTFE+C
 Ball and stem made of stainless steel, body made of steel,
 material code VIII, manufacturer: KLINGER



Material:
Body: steel, EN10217-2 P235GH (1.0345)
Ball: stainless steel, ENX5CrNi18-10 (1.4301)
Stem: stainless steel, ENX8CrNiS18-9 (1.4305)
O-Rings FPM (0°C – 200°C)
Sealing elements: PTFE+C

Hand lever:
 DN15 - DN150 galv. steel

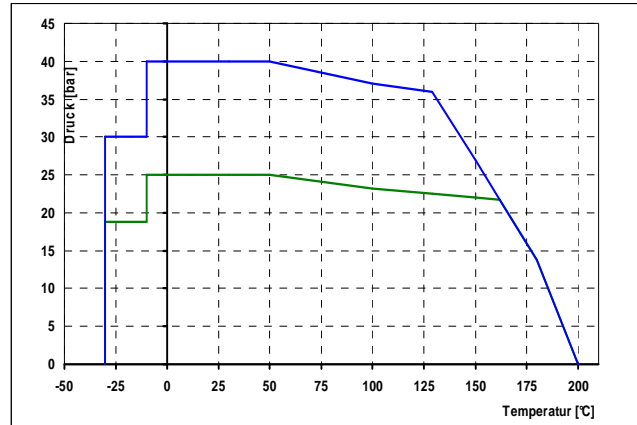
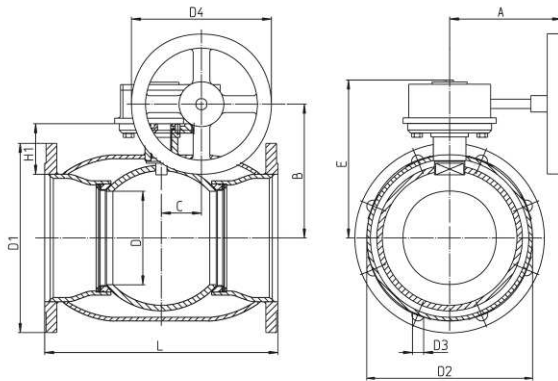
up from DN 150 we recommend the use of a manual gear box

| DN | PN | D | D1 | D2 | D3 | Anz. | H | H1 | L | A | weight |
|-----|----|-----|-----|-----|----|------|-----|-----|-----|-----|--------|
| 15 | 40 | 10 | 95 | 65 | 14 | 4 | 126 | 49 | 130 | 141 | 1,7 |
| 20 | 40 | 15 | 105 | 75 | 14 | 4 | 130 | 51 | 150 | 141 | 2,4 |
| 25 | 40 | 20 | 115 | 85 | 14 | 4 | 113 | 49 | 160 | 150 | 2,9 |
| 32 | 40 | 25 | 140 | 100 | 18 | 4 | 116 | 48 | 180 | 150 | 4,5 |
| 40 | 40 | 32 | 150 | 110 | 18 | 4 | 139 | 70 | 200 | 188 | 5,7 |
| 50 | 40 | 40 | 165 | 125 | 18 | 4 | 145 | 71 | 230 | 188 | 7,4 |
| 65 | 25 | 50 | 185 | 145 | 18 | 8 | 195 | 86 | 290 | 282 | 11 |
| 65 | 16 | 50 | 185 | 145 | 18 | 8 | 195 | 86 | 290 | 282 | 10 |
| 80 | 25 | 65 | 200 | 160 | 18 | 8 | 207 | 92 | 310 | 282 | 14 |
| 80 | 16 | 65 | 200 | 160 | 18 | 8 | 207 | 92 | 310 | 282 | 12 |
| 100 | 25 | 80 | 235 | 190 | 22 | 8 | 227 | 97 | 350 | 282 | 20 |
| 100 | 16 | 80 | 220 | 180 | 18 | 8 | 227 | 97 | 350 | 282 | 17 |
| 125 | 25 | 100 | 270 | 220 | 26 | 8 | 288 | 139 | 325 | 421 | 29 |
| 125 | 16 | 100 | 250 | 210 | 18 | 8 | 288 | 139 | 325 | 421 | 24 |
| 150 | 25 | 125 | 300 | 250 | 26 | 8 | 322 | 145 | 350 | 600 | 38 |
| 150 | 16 | 125 | 285 | 240 | 22 | 8 | 322 | 145 | 350 | 600 | 32 |

Klinger Monoball® Ball Valve KHM-F/R-G

CE0408
 certified acc. to
 PED Modul H

One piece ball valve with flanged connection, reduced bore both sides flanges acc. to EN1092-1, PN16, PN25 face to face acc. to EN558-1 GR1 resp. GR27 material: steel, temperature range: 0°C until 200°C



— DN100 – DN300

Suggested order specification:

Monoball ball valve PN 16 or PN 25
 One piece ball valve, with reduced bore, maintenance free,
 O-Ring based stem sealing, bidirectional valve,
 Sealing element made of PTFE+C
 Ball and stem made of stainless steel, body made of steel,
 material code VIII, manufacturer: KLINGER

Material:
Body: steel, EN10217-2 P235GH (1.0345)
Ball: stainless steel, ENX5CrNi18-10 (1.4301)
Stem: stainless steel, ENX8CrNiS18-9 (1.4305)
O-Rings FPM (0°C – 200°C)
Sealing elements: PTFE+C

Gear box:
 manual gear box



| DN | PN | D | D1 | D2 | D3 | Anz. | D4 | H1 | A | B | C | E | L | Gew |
|-----|----|-----|-----|-----|----|------|-----|-----|-----|-----|-----|-----|-----|-----|
| 100 | 16 | 80 | 220 | 180 | 18 | 8 | 125 | 97 | 178 | 199 | 53 | 239 | 350 | 22 |
| 100 | 25 | 80 | 235 | 190 | 22 | 8 | 125 | 97 | 178 | 199 | 53 | 239 | 350 | 25 |
| 125 | 16 | 100 | 250 | 210 | 18 | 8 | 200 | 139 | 223 | 255 | 53 | 296 | 325 | 28 |
| 125 | 25 | 100 | 270 | 220 | 26 | 8 | 200 | 139 | 223 | 255 | 53 | 296 | 325 | 34 |
| 150 | 16 | 125 | 285 | 240 | 22 | 8 | 200 | 145 | 223 | 276 | 53 | 317 | 350 | 36 |
| 150 | 25 | 125 | 300 | 250 | 26 | 8 | 200 | 145 | 223 | 276 | 53 | 317 | 350 | 42 |
| 200 | 16 | 150 | 340 | 295 | 22 | 12 | 250 | 92 | 268 | 244 | 69 | 292 | 400 | 62 |
| 200 | 25 | 150 | 360 | 310 | 26 | 12 | 250 | 92 | 268 | 244 | 69 | 292 | 400 | 71 |
| 250 | 16 | 200 | 405 | 355 | 26 | 12 | 300 | 108 | 299 | 294 | 97 | 343 | 450 | 110 |
| 250 | 25 | 200 | 425 | 370 | 30 | 12 | 300 | 108 | 299 | 294 | 97 | 343 | 450 | 113 |
| 250 | 16 | 200 | 405 | 355 | 26 | 12 | 300 | 108 | 299 | 294 | 97 | 343 | 500 | 117 |
| 250 | 25 | 200 | 425 | 370 | 30 | 12 | 300 | 108 | 299 | 294 | 97 | 343 | 500 | 129 |
| 300 | 16 | 250 | 460 | 410 | 26 | 12 | 600 | 132 | 420 | 349 | 138 | 421 | 500 | 177 |
| 300 | 25 | 250 | 485 | 430 | 30 | 16 | 600 | 132 | 450 | 349 | 138 | 421 | 500 | 193 |