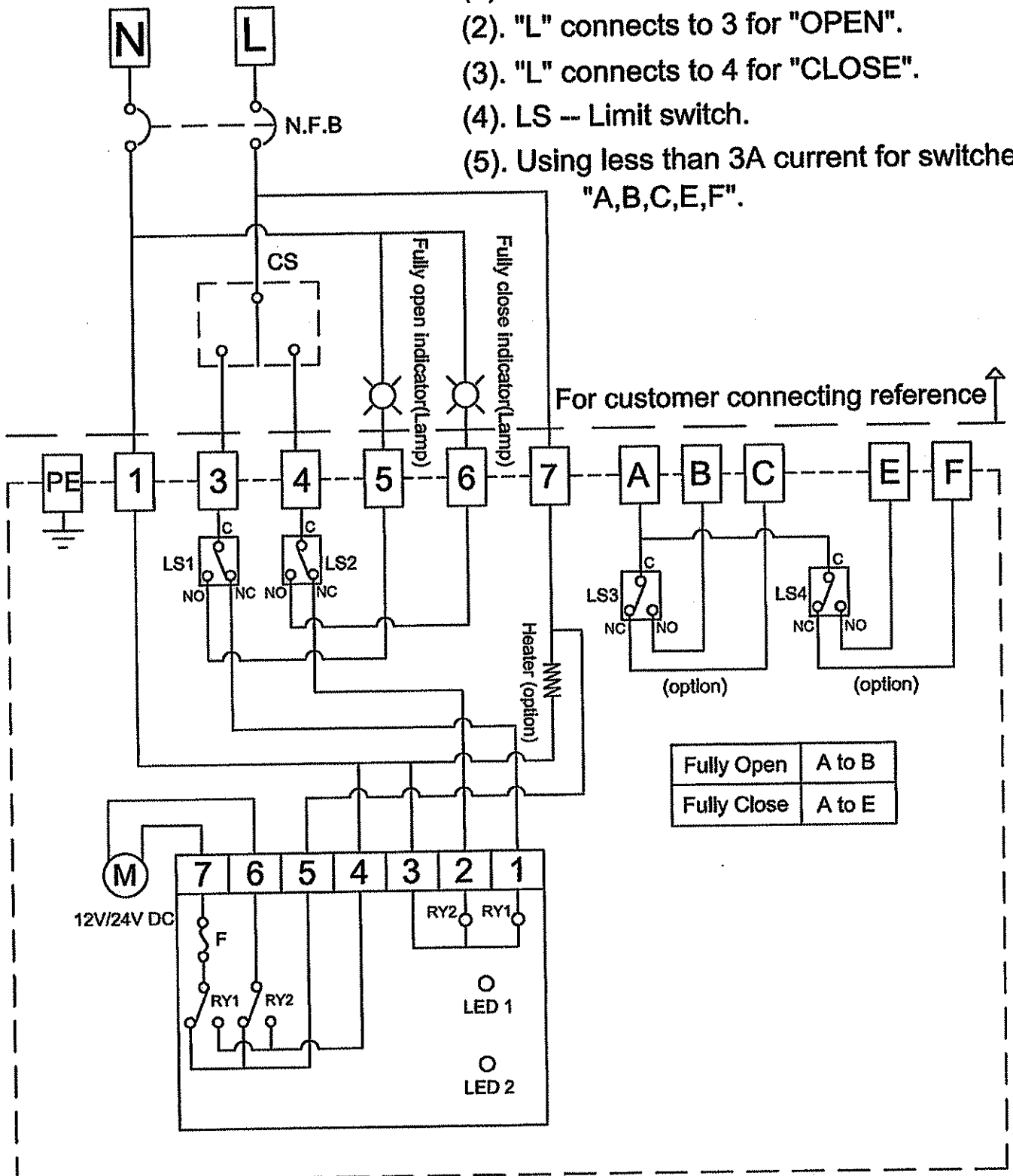


[OM-1 & OM-A & OM-A-M 12V/24V AC]

Power supply
 12V/24V AC

Note:

- (1). "N" connects to 1, "L" connects to 7.
- (2). "L" connects to 3 for "OPEN".
- (3). "L" connects to 4 for "CLOSE".
- (4). LS -- Limit switch.
- (5). Using less than 3A current for switches "A,B,C,E,F".

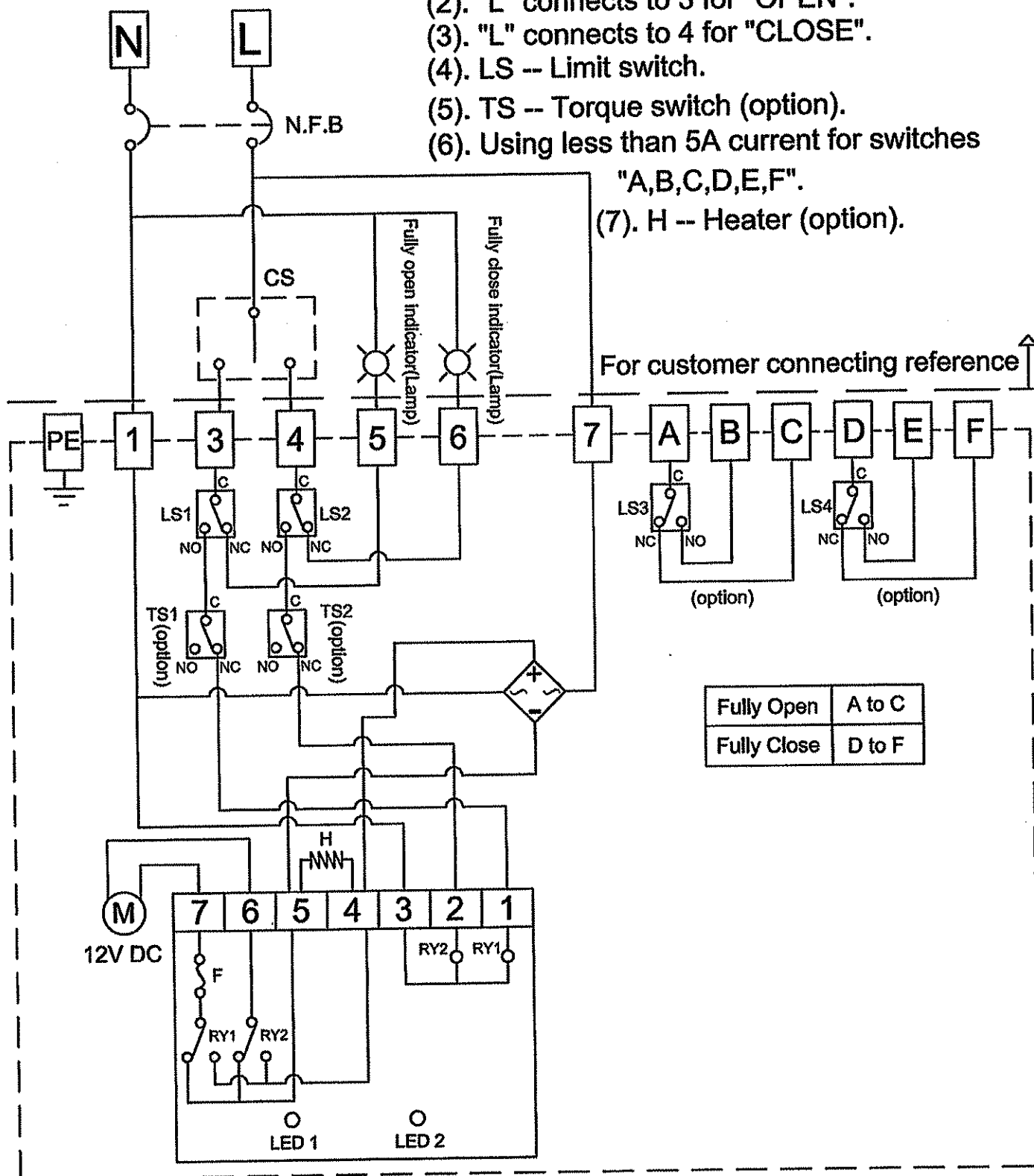


[OM-2 ~ OM-6 12V AC]

Power supply
12V AC

Note:

- (1). "N" connects to 1, "L" connects to 7.
- (2). "L" connects to 3 for "OPEN".
- (3). "L" connects to 4 for "CLOSE".
- (4). LS -- Limit switch.
- (5). TS -- Torque switch (option).
- (6). Using less than 5A current for switches "A,B,C,D,E,F".
- (7). H -- Heater (option).



Fully Open	A to C
Fully Close	D to F

[OM-2 ~ OM-12 24V AC]

Note:

- (1). "N" connects to 1, "L" connects to 7.
- (2). "L" connects to 3 for "OPEN".
- (3). "L" connects to 4 for "CLOSE".
- (4). LS -- Limit switch.
- (5). TS -- Torque switch (option).
- (6). Using less than 5A current for switches "A,B,C,D,E,F".
- (7). H -- Heater (option).

