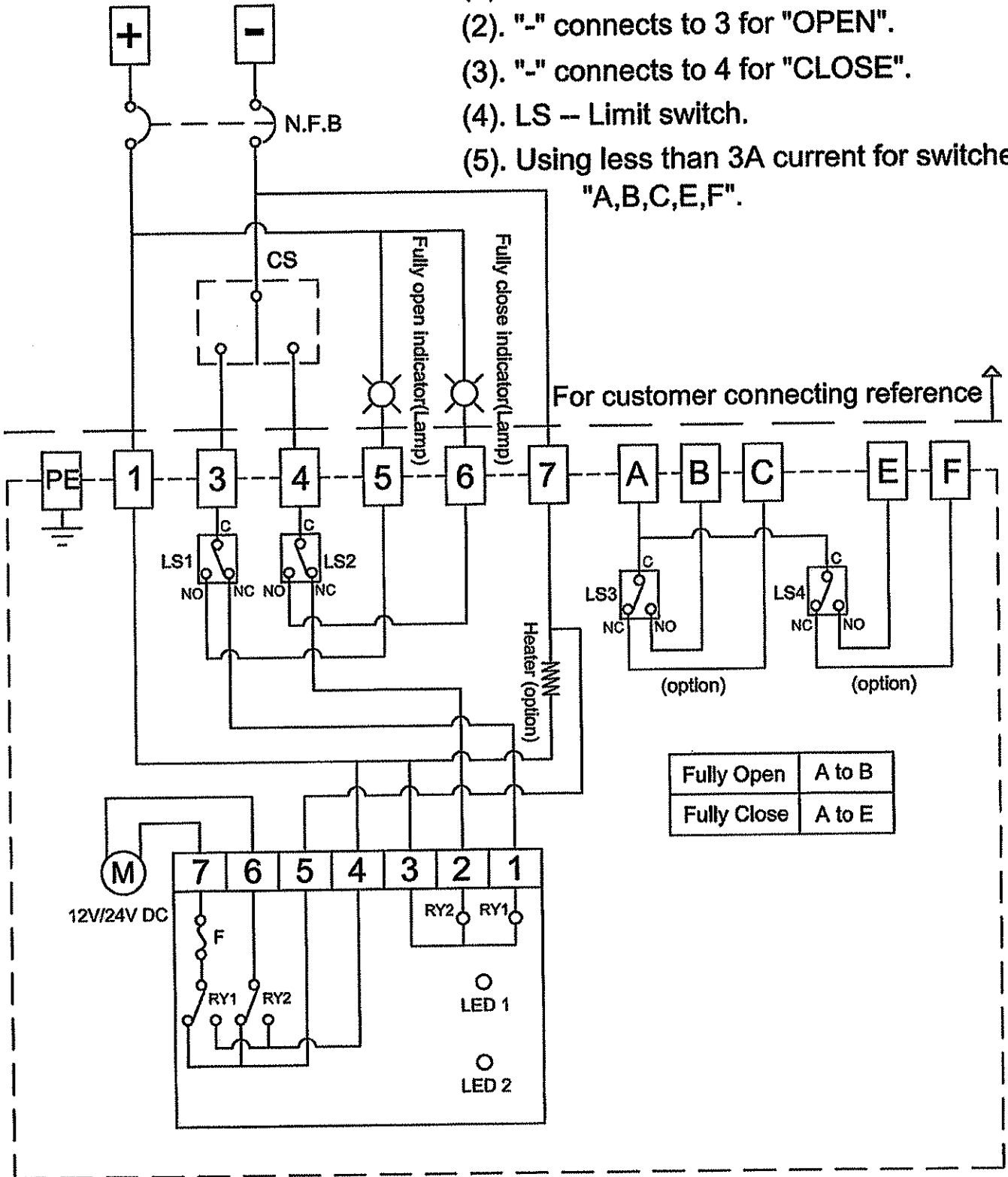


[OM-1 & OM-A & OM-A-M 12V/24V DC]

Power supply
 12V/24V DC

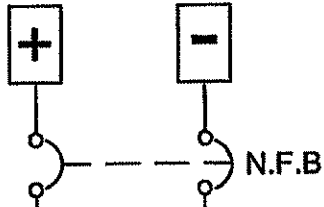
Note:

- (1). "+" connects to 1, "-" connects to 7.
- (2). "-" connects to 3 for "OPEN".
- (3). "-" connects to 4 for "CLOSE".
- (4). LS – Limit switch.
- (5). Using less than 3A current for switches "A,B,C,E,F".



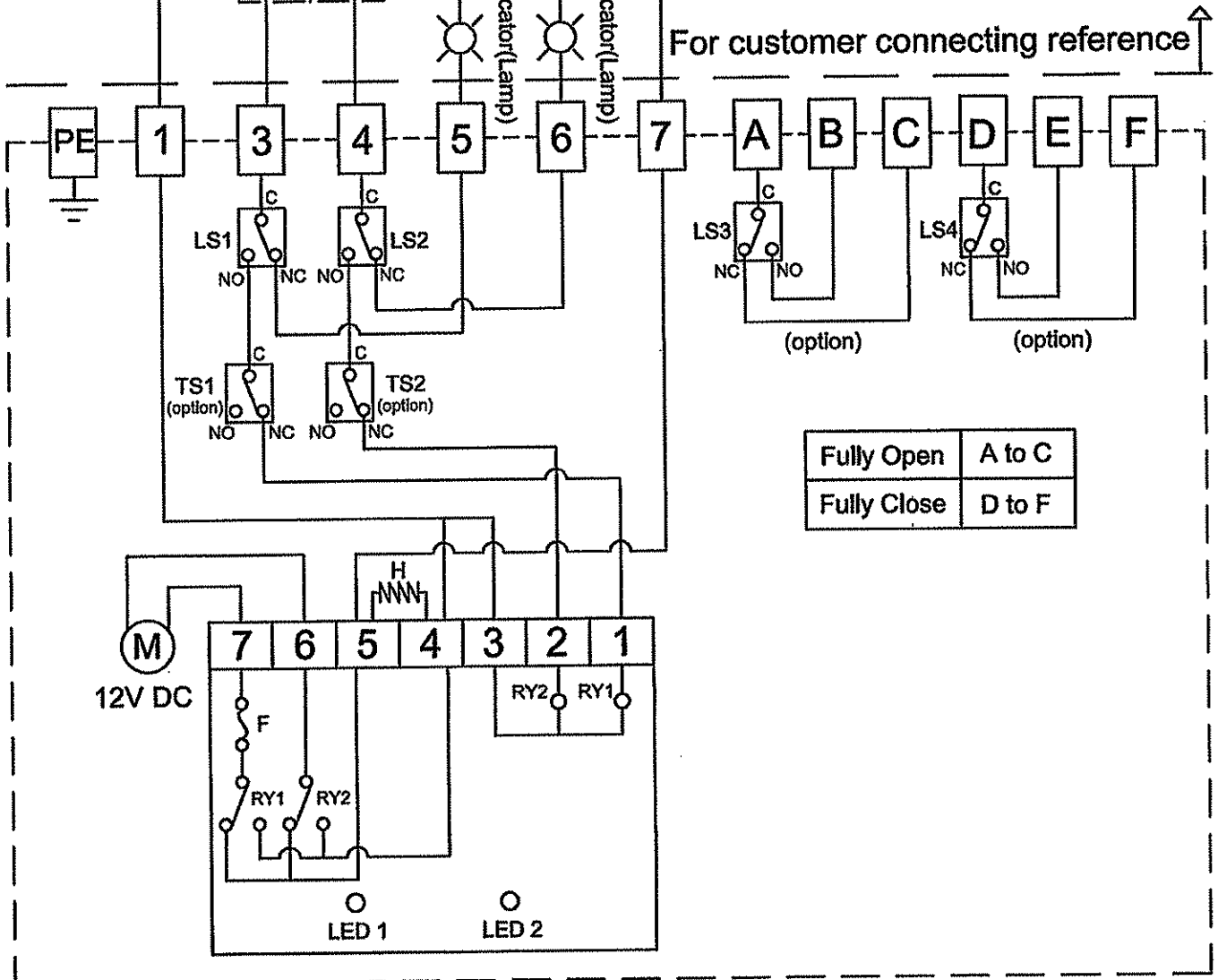
[OM-2 ~ OM-6 12V DC]

Power supply
12V DC



Note:

- (1). "+" connects to 1, "-" connects to 7.
- (2). "-" connects to 3 for "OPEN".
- (3). "-" connects to 4 for "CLOSE".
- (4). LS -- Limit switch.
- (5). TS -- Torque switch (option).
- (6). Using less than 5A current for switches "A,B,C,D,E,F".
- (7). H -- Heater (option).



[OM-2 ~ OM-12 24V DC]

Power supply
24V DC

Note:

- (1). "+" connects to 1, "-" connects to 7.
- (2). "-" connects to 3 for "OPEN".
- (3). "-" connects to 4 for "CLOSE".
- (4). LS -- Limit switch.
- (5). TS -- Torque switch (option).
- (6). Using less than 5A current for switches "A,B,C,D,E,F".
- (7). H -- Heater (option).

