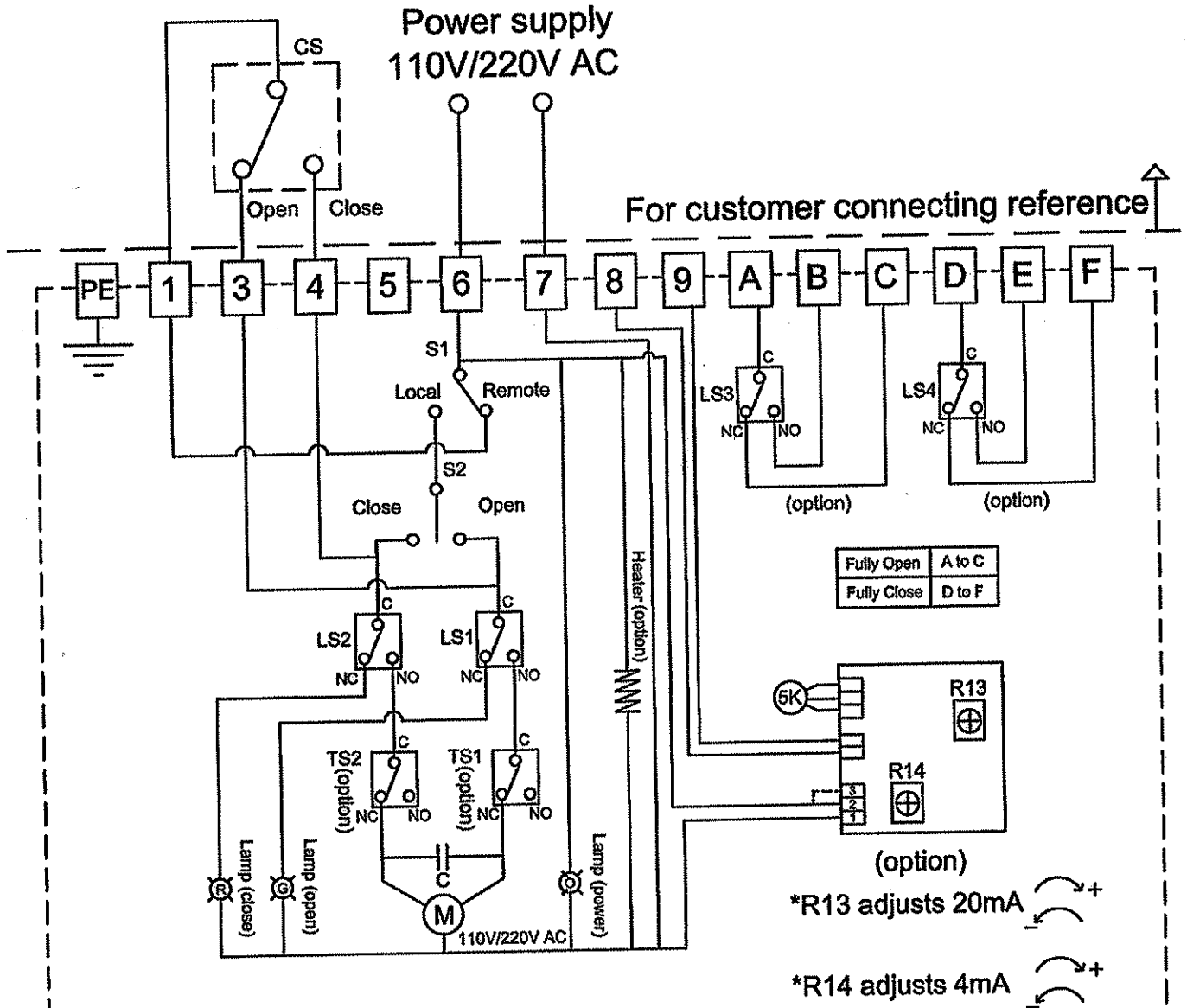


[OM-2~OM-12 110V/220V AC 1-PH / ON/OFF Service / Local/Remote Selection Switch / 4-20mA Output Signal]

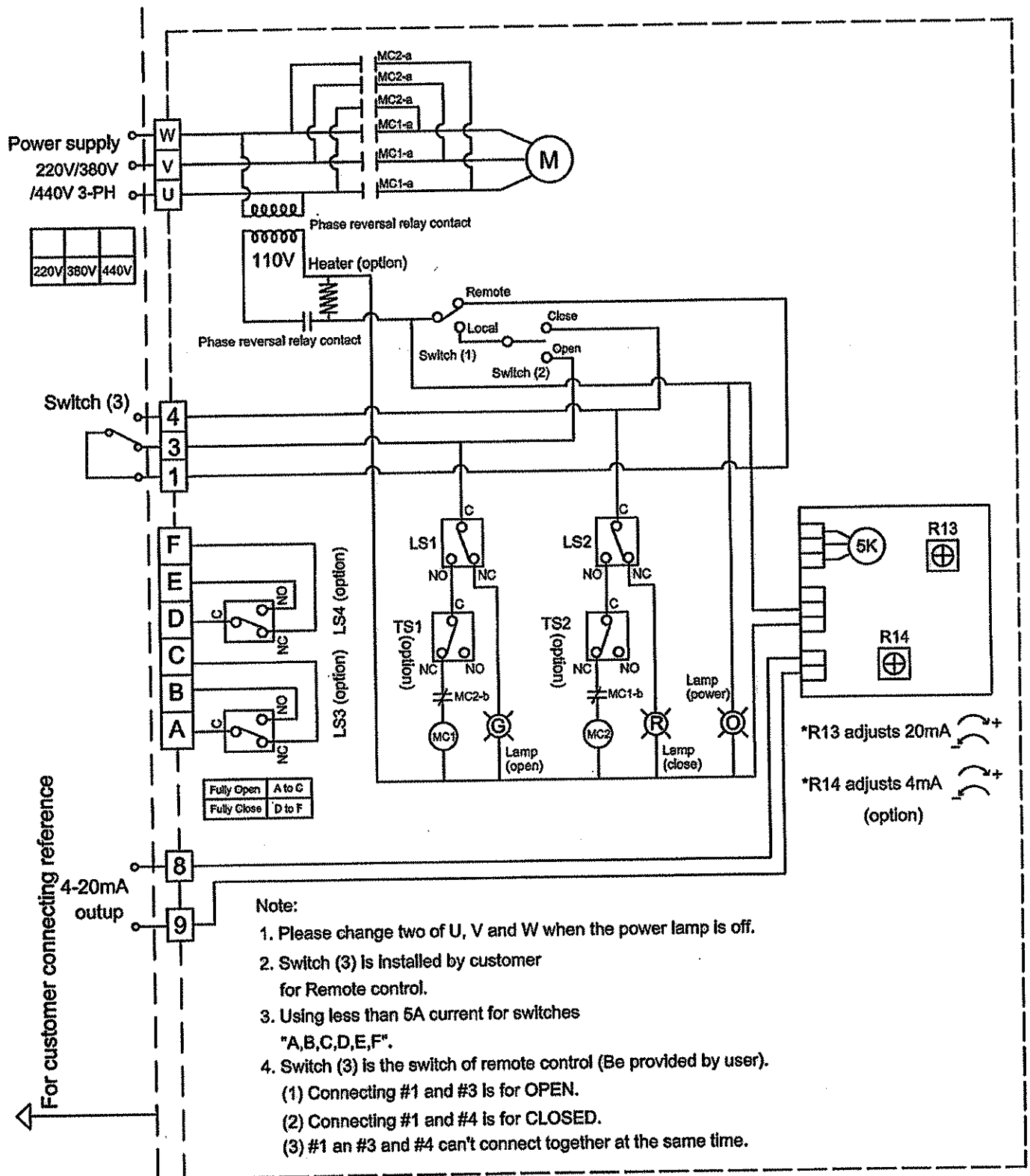


Note:

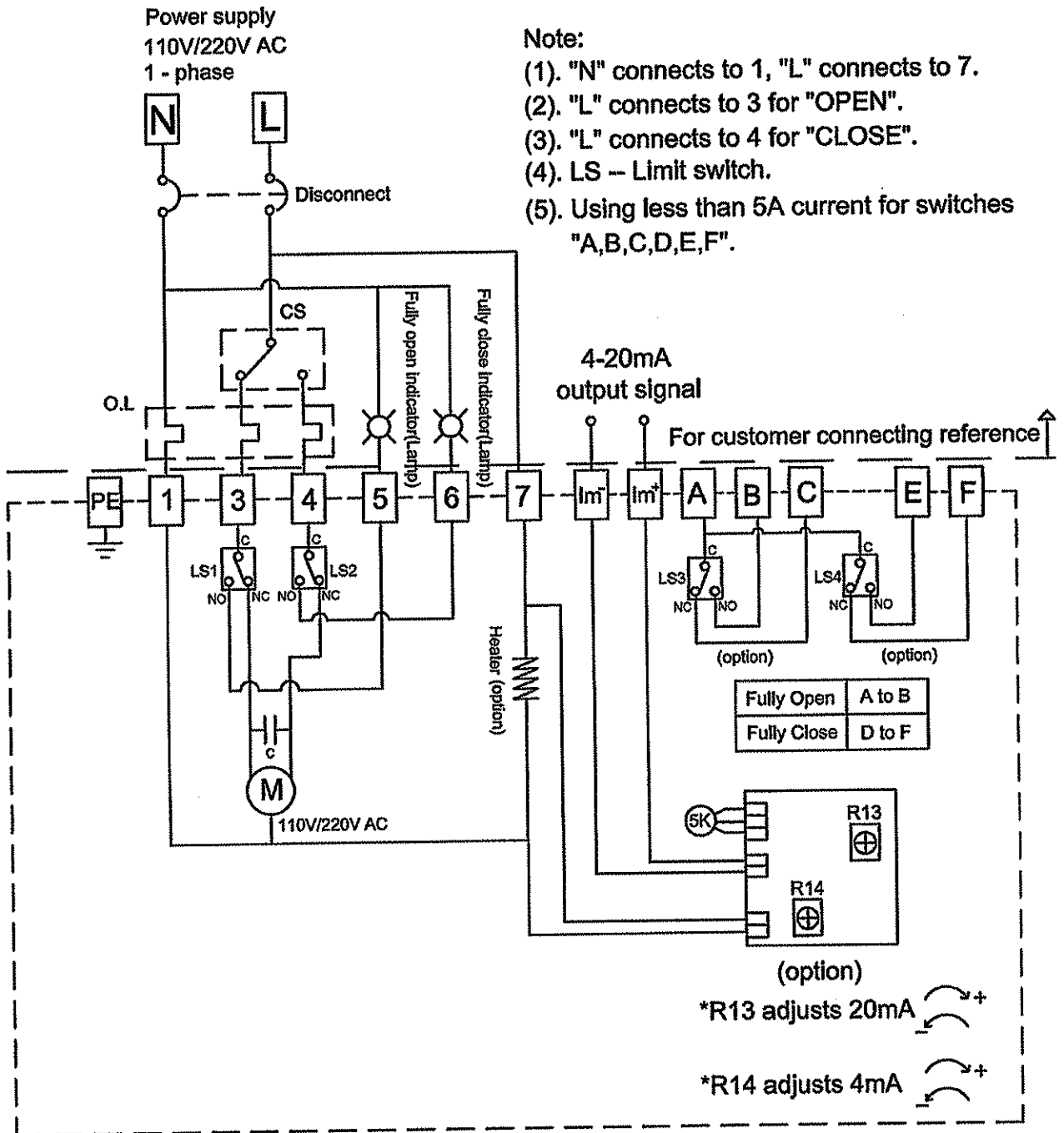
1. S1 is for Local/Remote select
2. S2 is for Open/Stop/Close select
3. CS is Remote control switch.

- *If the control power is 220VAC, N & L connect to #1& #3.
- *If the control power is 110VAC, N & L connect to #1& #2 or #2 & #3.

[OM-2~OM-12 220V/380V/440V 3-PH / ON/OFF Service /
Local/Remote Selection Switch / 4-20mA Output Signal 30% duty cycle]



[OM-1 & OM-A & OM-A-M 110V/220V AC 1-PH / 4-20mA Output Signal]

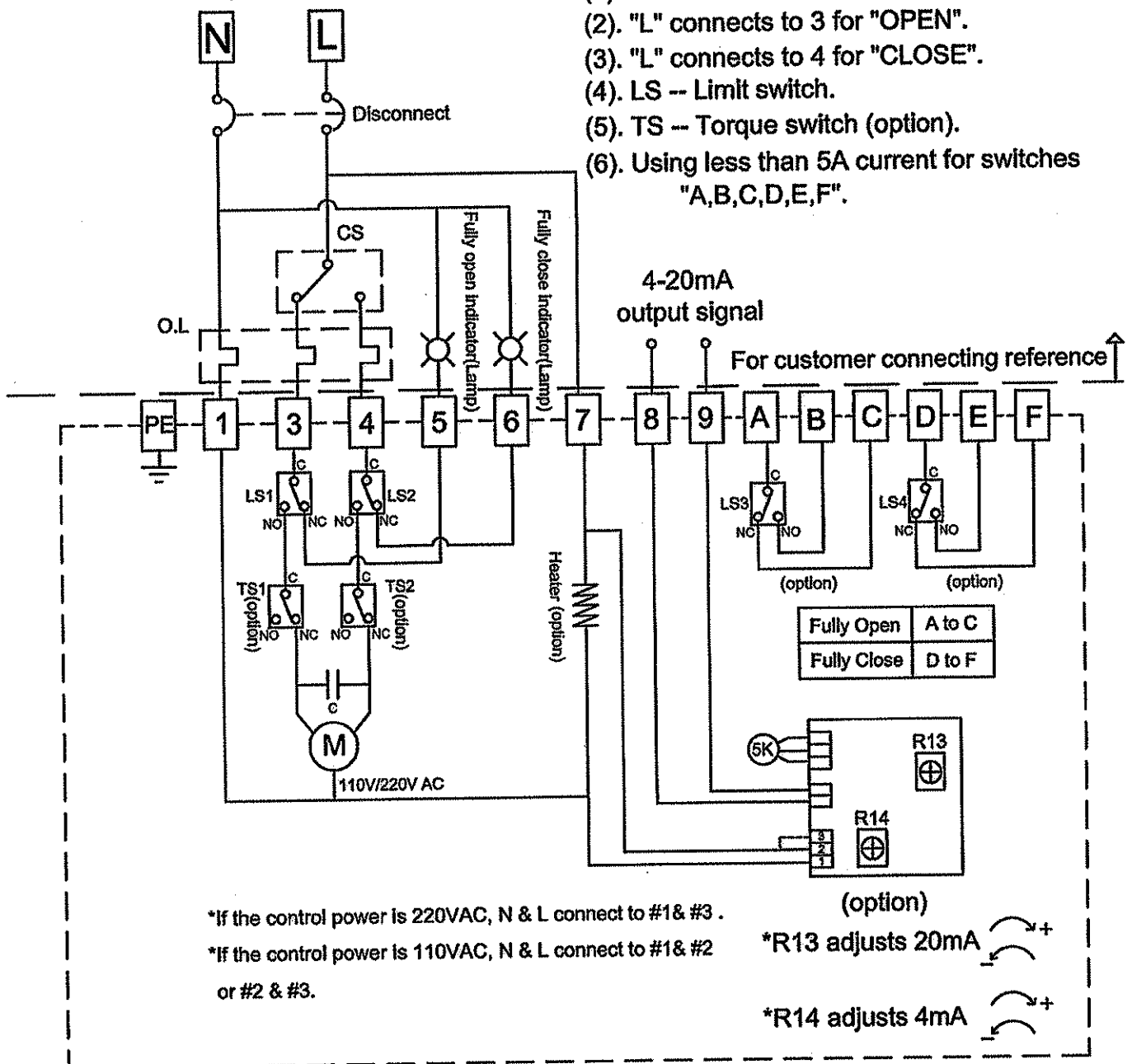


[OM-2~OM-12 110V/220V AC 1-PH / 4-20mA Output Signal]

Power supply
110V/220V AC
1 - phase

Note:

- (1). "N" connects to 1, "L" connects to 7.
- (2). "L" connects to 3 for "OPEN".
- (3). "L" connects to 4 for "CLOSE".
- (4). LS -- Limit switch.
- (5). TS -- Torque switch (option).
- (6). Using less than 5A current for switches "A,B,C,D,E,F".



*If the control power is 220VAC, N & L connect to #1 & #3 .

*If the control power is 110VAC, N & L connect to #1 & #2
or #2 & #3.

*R13 adjusts 20mA

*R14 adjusts 4mA

[BM-2, OM-2~12 220V/380V/440V 3-PH / 4-20 mA Output Signal]

