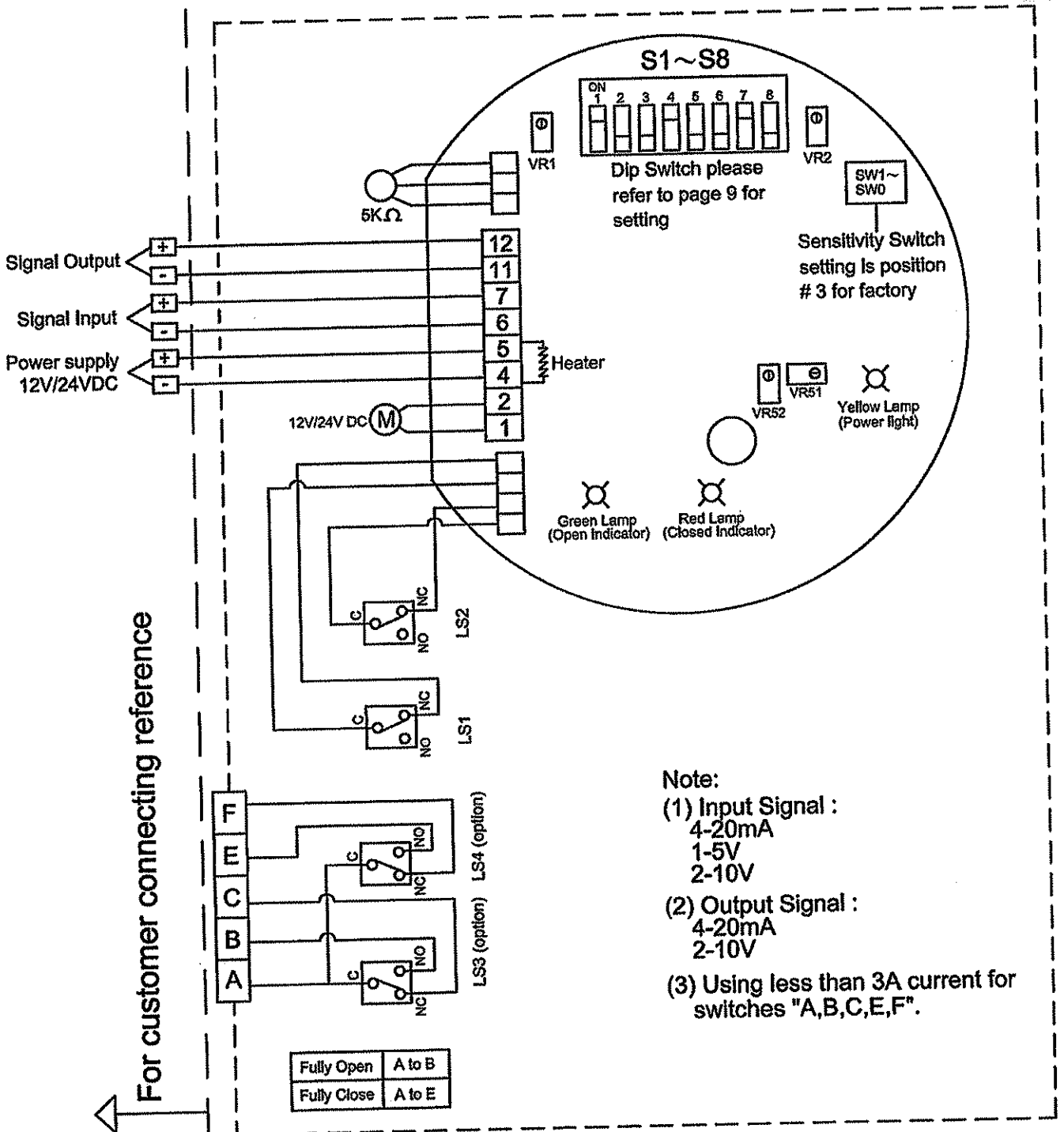
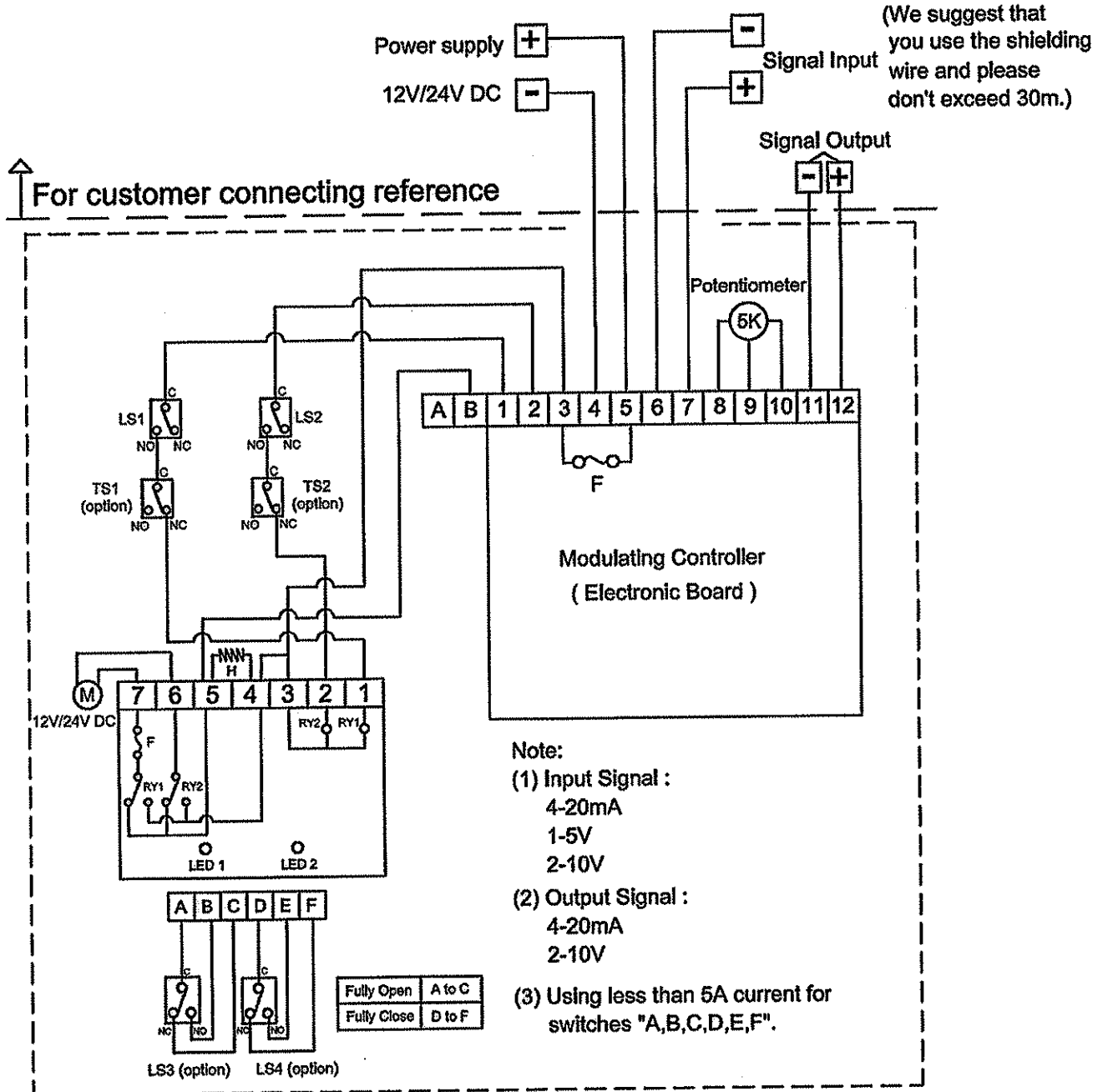


[OM-1 & OM-A & OM-A-M 12V/24V DC / Modulating Service]



[OM-2 ~ OM-6 12V/24V DC / Modulating Service]



[OM-2 ~ OM-12 24V DC / Modulating Service]

(We suggest that you use the shielding wire and please don't exceed 30m.)

