

Description

Type Safety and Relief valve
 Conections Flanged EN 1092
 Rating PN-16 / 25 / 40 / 63 / 100
 Material Nodular Iron, Carbon steel
 Stainless steel
 Temperature range -28°C to +350°C

Requirements

Calculation EN-4126-1 / 7
 Design / Size EN-12516-1, EN-4126-1 / 7
 Materials EN / ASTM
 Inspection EN-4126-1 / 7 API 527 MSS-SP-55
 Tolerances EN-4126-1 and ASME UG-126

Construction and materials

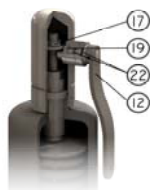
| Item | Description | Carbon steel | | | | | | Stainless steel | | |
|------|--------------------|-----------------|-----------------|-----------------|-----------------|-----------------|----------------|-----------------|-----------------|--|
| | | PN-16/25 | | PN-40 | | PN-63/100 | PN-16/25/40 | | PN-63/100 | |
| | | DN-15 to DN-50 | DN-65 to DN-200 | DN-15 to DN-50 | DN-65 to DN-200 | DN-15 to DN-50 | DN-15 to DN-50 | DN-65 to DN-200 | DN-15 to DN-50 | |
| | | PN-16/25 | PN-16/25 | PN-40 | PN-40 | PN-63/100 | PN-16/40 | PN-16/40 | PN-63/100 | |
| 1 | Nozzle | C.S. + 308 L SS | C.S. + 308 L SS | C.S. + 308 L SS | C.S. + 308 L SS | 316L + Stellite | 316 L SS | 316 L SS | 316L + Stellite | |
| 2 | Body | A106 Gr.B | EN-JS1030 | A106 Gr.B | C.S. 1.0619 | A106 Gr.B | 316 L SS | 14.408 | 316 L SS | |
| 3 | Bonnet | A106 Gr.B | EN-JS1030 | A106 Gr.B | C.S. 1.0619 | A106 Gr.B | 316 L SS | 14.408 | 316 L SS | |
| 4 | Open Cap | A351 CF-8 | A351 CF-8 | A351 CF-8 | A351 CF-8 | A351 CF8 | A351 CF-8 | A351 CF-8 | A351 CF-8 | |
| 4 | Closed Cap | A351 CF-8 | A351 CF-8 | A351 CF-8 | A351 CF-8 | A351 CF8 | A351 CF-8 | A351 CF-8 | A351 CF-8 | |
| 5 | Disc | 420 SS | C.S. + 308 L SS | 420 SS | C.S. + 308 L SS | 316L SS | 316 L SS | 316 L SS | 316 L SS | |
| 6 | Guide | C. Steel zn. | C.S. + 304 SS | C. Steel zn. | C.S. + 304 SS | C. Steel zn. | 316 L SS | 316 L SS | 316 L SS | |
| 7 | Push Road | 420 SS | 420 SS | 420 SS | 420 SS | 420 SS | 316 L SS | 316 L SS | 316 L SS | |
| 8 | Spring Button | C. Steel zn. | C. Steel zn. | C. Steel zn. | C. Steel zn. | C. Steel zn. | 303 SS | 304 SS | 303 SS | |
| 9 | Ajusting Screw | Brass | AISI-420 | 303 SS | AISI-420 | 303 SS | 303 SS | 431 SS | 303 SS | |
| 10 | Lock Nut | Brass | C. Steel zn. | 303 SS | C. Steel zn. | C. Steel zn. | 303 SS | 304 SS | 303 SS | |
| 11 | Spring | Carbon steel | Carbon Steel | Carbon steel | Carbon Steel | Carbon steel | 302 SS | 302 SS | 302 SS | |
| 12 | Lever | A 351 CF 8 | A 351 CF 8 | A 351 CF 8 | A 351 CF 8 | A 351 CF 8 | A351 CF-8 | A351 CF-8 | A351 CF-8 | |
| 17 | Release nut | 304 SS | 304 SS | Carbon steel | 304 SS | Carbon steel | 316 SS | 316 SS | 316 SS | |
| 18 | Lever axis | 303 SS | 303 SS | AISI-303 | 303 SS | AISI-303 | 303 SS | 303 SS | 303 SS | |
| 19 | Packing lever axis | 303 SS | 303 SS | AISI-303 | 303 SS | AISI-303 | 303 SS | 303 SS | 303 SS | |
| 20 | Gasket cap | NBR+MF | NBR+MF | NBR+MF | NBR+MF | NBR+MF | PTFE | PTFE | PTFE | |
| 21 | Gasket bonnet | NBR+MF | NBR+MF | NBR+MF | NBR+MF | NBR+MF | PTFE | PTFE | PTFE | |
| 22 | Gasket pack. lever | Viton | Viton | Viton | Viton | Viton | Viton | Viton | Viton | |
| 27 | Bellow | 316 TI SS | 316 TI SS | 316 TI SS | 316 TI SS | 316 TI SS | 316 TI SS | 316 TI SS | 316 TI SS | |
| 28 | O' ring disc | Viton / PTFE | Viton / PTFE | Viton / PTFE | Viton / PTFE | Viton / PTFE | Viton / PTFE | Viton / PTFE | Viton / PTFE | |

○ Recommended spare parts

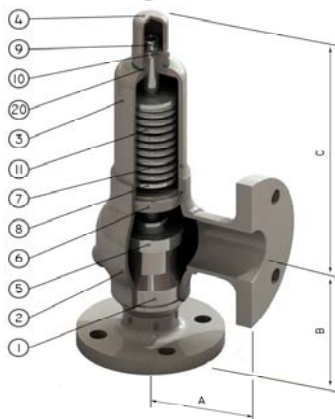
Palanca manual
Lifting device



Palanca estanca
Sealed packing lever



T. Prueba
Test gag



Cpo. intermedio abierto
Open bonnet



Obturador o-ring
Disc o-ring



Technical information

Applications Steam, gases, vapours and liquids
 Min. Set pressure 0,2 barg
 Seat metal-metal, PTFE, Viton, Nozzle SS+Stellite
 Overpressure 10% for steam, gas and vapour
 20% for fire exposure
 25% for liquid on thermal relief
 Blowdown 7%
 Tolerance Set pressure ± 3%
 Discharge coefficients k= 0,64 for gases
 k= 0,5 for liquids

Fuelle
Bellows



Dimensions

| Design | DN | TOSACA Model | Valve Size Inlet by Outlet | EN 1092 Flanges | | Orif. (mm) | Area (mm ²) | Face Dimension (mm) | | | Weight (kg) W |
|-----------|------------|--------------|----------------------------|-----------------|--------|------------|-------------------------|---------------------|-----|------|---------------|
| | | | | Inlet | Outlet | | | A | B | C | |
| | 15 | 1400 PN 16 | 15 x 25 | 16 | 16 | 16 | 201 | 85 | 95 | 253 | 7 |
| | | 1400 PN 25 | 15 x 25 | 25 | 16 | 16 | 201 | 85 | 95 | 253 | 7 |
| | | 1400 PN 40 | 15 x 25 | 40 | 16 | 16 | 201 | 85 | 95 | 253 | 7 |
| | | 1400 PN 63 | 15 x 25 | 63 | 16 | 13 | 133 | 85 | 95 | 253 | 7 |
| | | 1400 PN100 | 15 x 25 | 100 | 16 | 13 | 133 | 85 | 95 | 253 | 7 |
| | 20 | 1400 PN 16 | 20 x 32 | 16 | 16 | 18 | 254 | 85 | 95 | 253 | 7,5 |
| | | 1400 PN 25 | 20 x 32 | 25 | 16 | 18 | 254 | 85 | 95 | 253 | 7,5 |
| | | 1400 PN 40 | 20 x 32 | 40 | 16 | 18 | 254 | 85 | 95 | 253 | 7,5 |
| | | 1400 PN 63 | 20 x 32 | 63 | 16 | 13 | 133 | 100 | 105 | 253 | 7,5 |
| | | 1400 PN100 | 20 x 32 | 100 | 16 | 13 | 133 | 100 | 105 | 253 | 7,5 |
| | 25 | 1400 PN 16 | 25 x 40 | 16 | 16 | 23,8 | 445 | 100 | 105 | 275 | 8 |
| | | 1400 PN 25 | 25 x 40 | 25 | 16 | 23,8 | 445 | 100 | 105 | 275 | 8 |
| | | 1400 PN 40 | 25 x 40 | 40 | 16 | 23,8 | 445 | 100 | 105 | 275 | 8 |
| | | 1400 PN 63 | 25 x 50 | 63 | 16 | 20 | 314 | 110 | 100 | 275 | 8 |
| | | 1400 PN100 | 25 x 50 | 100 | 16 | 16 | 201 | 110 | 100 | 275 | 8 |
| | 32 | 1400 PN 16 | 32 x 50 | 16 | 16 | 29,5 | 683 | 110 | 115 | 325 | 11,5 |
| | | 1400 PN 25 | 32 x 50 | 25 | 16 | 29,5 | 683 | 110 | 115 | 325 | 11,5 |
| | | 1400 PN 40 | 32 x 50 | 40 | 16 | 29,5 | 683 | 110 | 115 | 325 | 11,5 |
| | | 1400 PN 63 | 32 x 50 | 63 | 16 | 23,8 | 445 | 110 | 115 | 325 | 11,5 |
| | | 1400 PN100 | 32 x 50 | 100 | 16 | 20 | 314 | 110 | 115 | 325 | 11,5 |
| 40 | 1400 PN 16 | 40 x 65 | 16 | 16 | 36 | 1018 | 115 | 140 | 325 | 12,5 | |
| | 1400 PN 25 | 40 x 65 | 25 | 16 | 36 | 1018 | 115 | 140 | 325 | 12,5 | |
| | 1400 PN 40 | 40 x 65 | 40 | 16 | 36 | 1018 | 115 | 140 | 325 | 12,5 | |
| | 1400 PN 63 | 40 x 65 | 63 | 16 | 26 | 531 | 115 | 140 | 325 | 12,5 | |
| | 1400 PN100 | 40 x 65 | 100 | 16 | 23,8 | 445 | 115 | 140 | 325 | 12,5 | |
| 50 | 1400 PN 16 | 50 x 80 | 16 | 16 | 46 | 1662 | 120 | 150 | 400 | 14 | |
| | 1400 PN 25 | 50 x 80 | 25 | 16 | 46 | 1662 | 120 | 150 | 400 | 14 | |
| | 1400 PN 40 | 50 x 80 | 40 | 16 | 46 | 1662 | 120 | 150 | 400 | 14 | |
| | 1400 PN 63 | 50 x 80 | 63 | 16 | 32 | 804 | 120 | 150 | 400 | 14 | |
| | 1400 PN100 | 50 x 80 | 100 | 16 | 32 | 804 | 120 | 150 | 400 | 14 | |
| | 65 | 1400 PN 16 | 65 x 100 | 16 | 16 | 59,5 | 2781 | 140 | 170 | 415 | 27 |
| | | 1400 PN 25 | 65 x 100 | 25 | 16 | 59,5 | 2781 | 140 | 170 | 415 | 27 |
| | | 1400 PN 40 | 65 x 100 | 40 | 16 | 59,5 | 2781 | 140 | 170 | 415 | 27 |
| | | 1400 PN 63 | 65 x 100 | 63 | 16 | 48 | 1810 | 140 | 170 | 415 | 27 |
| | | 1400 PN100 | 65 x 100 | 100 | 16 | 39 | 1195 | 140 | 170 | 415 | 27 |
| | 80 | 1400 PN 16 | 80 x 125 | 16 | 16 | 72 | 4072 | 160 | 195 | 625 | 58 |
| | | 1400 PN 25 | 80 x 125 | 25 | 16 | 72 | 4072 | 160 | 195 | 625 | 58 |
| | | 1400 PN 40 | 80 x 125 | 40 | 16 | 72 | 4072 | 160 | 195 | 625 | 58 |
| | 100 | 1400 PN 16 | 100 x 150 | 16 | 16 | 90 | 6362 | 180 | 220 | 663 | 84 |
| | | 1400 PN 25 | 100 x 150 | 25 | 16 | 90 | 6362 | 180 | 220 | 663 | 84 |
| | | 1400 PN 40 | 100 x 150 | 40 | 16 | 90 | 6362 | 180 | 220 | 663 | 84 |
| | 125 | 1400 PN 16 | 125 x 200 | 16 | 16 | 105 | 8659 | 200 | 250 | 760 | 140 |
| | | 1400 PN 25 | 125 x 200 | 25 | 16 | 105 | 8659 | 200 | 250 | 760 | 140 |
| | | 1400 PN 40 | 125 x 200 | 40 | 16 | 105 | 8659 | 200 | 250 | 760 | 140 |
| | 150 | 1400 PN 16 | 150 x 200 | 16 | 16 | 125 | 12272 | 242 | 240 | 760 | 150 |
| | | 1400 PN 25 | 150 x 200 | 25 | 16 | 125 | 12272 | 242 | 240 | 760 | 150 |
| | | 1400 PN 40 | 150 x 200 | 40 | 16 | 125 | 12272 | 242 | 240 | 760 | 150 |
| | 200 | 1400 PN 16 | 200 x 300 | 16 | 16 | 153 | 18385 | 300 | 290 | 795 | 200 |