

Description

Type	Safety and Relief valve
Connections	Flanged ASME/ANSI B16.5
Rating	150#/300# 600#/900#/1500# RF
Material	Carbon steel A 216 WCB Stainless steel A 351 CF3M Special constructions
Temperature range	-28°C to +400°C
Stainless steel	-96°C to +400°C

Requirements

Calculation	API RP 520
Design / Size	API STD 526, ASME Section VIII
Materials	EN / ASTM / ASME
Inspection	EN-4126-1 / 7 API STD 527 MSS-SP-55
Tolerances	EN-4126-1 and ASME UG-126

Construction and materials

Item	Description	Material	Material
		Carbon Steel	Stainless steel
1	Nozzle	AISI-304	AISI-316L
2	Body	A216 WCB	A351 CF-3M
3	Bonnet	A216 WCB	A351 CF-3M
4	Open Cap	A351 CF 8	A351 CF 8
4	Closed Cap	A351 CF 8	A351 CF 8
5	Disc	AISI-316L	AISI-316L
6	Guide	AISI-316L	AISI-316L
7	Push Road	AISI-316L	AISI-316L
8	Spring Button	C. Steel zn.	AISI-304
9	Ajusting Screw	AISI-420	AISI-303
10	Tensor Nut	C. Steel zn.	AISI-303
11	Spring	Carbon Steel	AISI-302
12	Lever	A351 CF 8	A351 CF 8
17	Release nut	AISI-316L	AISI-316L
18	Lever axis	AISI-303	AISI-303
19	Packing lever axis	AISI-303	AISI-303
20	Gasket	NBR+MF	NBR
21	Gasket	NBR+MF	NBR
22	Gasket	Viton	Viton
27	Bellow	AISI-316 TI	AISI-316 TI
28	O' ring disc	Viton / PTFE	Viton / PTFE
24	Screw-nut	Carbon Steel	AISI-316
25	Flanged	A216 WCB	A351 CF-3M
26	Flanged 150#	A216 WCB	A351 CF-3M

○ Recommended spare parts

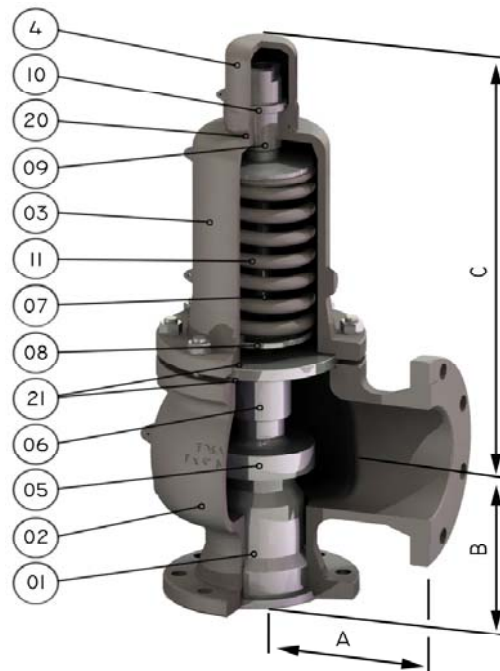
Palanca manual
Lifting device



Palanca estanca
Sealed packing lever



T. Prueba
Test gag



Cpo. intermedio abierto
Open bonnet



Fuelle
Bellows



Obturador o-ring
Disc o-ring



Technical information

Applications	Steam, gases, vapours and liquids
Min. Set pressure	0,2 barg
Seat	metal-metal, PTFE, Viton, Nozzle SS+Stellite (600#, 900#&1500#)
Overpressure	10% for steam, gas and vapour 20% for fire exposure 25% for liquid on thermal relief
Blowdown	7%
Tolerance Set pressure	± 3%
Discharge coefficients	k= 0,94 for gases k= 0,6 for liquids



Design	Orif. Area (mm ²)	1415 150# RF				1415 300# RF				1415 600# RF				1415 900# RF				1415 1500# RF							
		Dimension (mm)				Dimension (mm)				Dimension (mm)				Dimension (mm)				Dimension (mm)							
		Valve Size ANSI rating	A	C	Weight (kg)	Valve Size ANSI rating	A	C	Weight (kg)	Valve Size ANSI rating	A	C	Weight (kg)	Valve Size ANSI rating	A	C	Weight (kg)	Valve Size ANSI rating	A	C	Weight (kg)				
	D / E 71/133	1/2" D/E 1"	75	255	9	1/2" D/E 1"	75	255	9,3	1/2" D/E 1"	75	255	9,5												
		150# /150#	95			300# /150#	95			3/4" D/E 1"	75	255	9,3	3/4" D/E 1"	75	255	9,5								
		150# /150#	95			300# /150#	95			600# / 150#	105			600# / 150#	105										
		1" D/E 1"	75	255	9	1" D/E 1"	75	255	9,3	1" D/E 1"	75	255	9,5												
	150# /150#	95			300# /150#	95			600# / 150#	105			600# / 150#	105			1 1/2"D/E 2"	140	335	19	1 1/2"D/E 2"	140	335	19	
	1" D/E 2"	114	305	10,2	1" D/E 2"	114	305	10,5	1" D/E 2"	114	305	11					900# / 300#	105			1500# / 300#	105			
	150# /150#	105			300# /150#	105			600# / 150#	105															
	F	1 1/2" F 2"	121	315	14	1 1/2" F 2"	121	315	15	1 1/2" F 2"	152	315	17					1 1/2" F 3"	165	315	22	1 1/2" F 3"	165	315	22
	201	150# /150#	124			300# /150#	124			600# / 150#	124							900# / 300#	124			1500# / 300#	124		
	G	1 1/2" G 3"	121	400	15	1 1/2" G 3"	121	400	16	1 1/2" G 3"	152	400	19					1 1/2" G 3"	165	430	25				
	346	150# /150#	124			300# /150#	124			600# / 150#	124							900# / 300#	124						
	H	1 1/2" H "3	124	400	15	1 1/2" H "3	124	400	16																
	531	150# /150#	130			300# /150#	130																		
						2" H 3"	124	400	20	2" H 3"	162	400	23					2" H 3"	162	400	26	2" H 3"	162	430	25
						300# /150#	130			600# / 150#	154							900# / 150#	154			1500# / 300#	154		
	J	2" J 3"	124	400	20	2" J 3"	124	400	21																
830	150# /150#	137			300# /150#	137																			
					3" J 4"	181	570	25	3" J 4"	181	570	28					3" J 4"	181	570	33	3" J 4"	181	570	33	
					300# /150#	184			600# / 150#	184							900# / 150#	184			1500# / 300#	184			
K	3" K 4"	162	570	24	3" K 4"	162	570	25	3" K 4"	181	570	35					3" K 6"	216	610	90	3" K 6"	216	610	105	
1195	150# /150#	156			300# /150#	156			600# / 150#	184							900# / 150#	198			1500# /300#	198			
L	3" L 4"	165	570	24	3" L 4"	165	570	25																	
1886	150# /150#	156			300# /150#	156																			
					4" L 6"	181	610	90	4" L 6"	203	820	110					4" L 6"	222	820	120	4" L 6"	222	820	120	
					300# /150#	179			600# / 150#	179							900# / 150#	197			1500# / 150#	197			
M	4" M 6"	184	610	88	4" M 6"	184	610	90	4" M 6"	203	610	110					4" M 6"	222	820	120					
2376	150# /150#	178			300# /150#	178			600# / 150#	178							900# / 150#	197							
N	4" N 6"	210	610	88	4" N 6"	210	610	90	4" N 6"	222	610	110					4" N 6"	222	820	120					
2827	150# /150#	197			300# /150#	197			600# / 150#	197							900# / 150#	197							
P	4" P 6"	229	610	88	4" P 6"	229	610	90	4" P 6"	254	610	94					4" P 6"	254	610	94					
4185	150# /150#	181			300# /150#	181			600# / 150#	225							900# / 150#	225							
Q	6" Q 8"	241	659	156	6" Q 8"	241	659	160	6" Q 8"	241	659	170													
7238	150# /150#	240			300# /150#	240			600# / 150#	240															
R	6" R 8"	241	659	156	6" R 8"	241	659	160	6" R 10"	267	659	190													
10387	150# /150#	240			300# /150#	240			600# / 150#	240															
T	8" T 10"	279	795	190	8" T 10"	279	795	195																	
16742	150# /150#	276			300# /150#	276																			