

**New model 1415 B Big size ANSI**



Inlet	Outlet	Orifice	Area (mm <sup>2</sup> )	A (mm)	B (mm)	C (mm)	Weight (kg)
12"	16"	W	40808	406	359	1432	850
16"	20"	X	72950	533	432	1943	1850

*It is possible in EN flanges too.*

**Construction and materials**

Item	Description	Material	
		Carbon Steel	Stainless steel
1	Nozzle	AISI-304	AISI-316L
2	Body	A216 WCB	A351 CF-3M
3	Bonnet	A216 WCB	A351 CF-3M
4	Open Cap	A351 CF 8	A351 CF 8
4	Closed Cap	A351 CF 8	A351 CF 8
5	Disc	AISI-316L	AISI-316L
6	Guide	AISI-316L	AISI-316L
7	Push Road	AISI-316L	AISI-316L
8	Spring Button	C. Steel zn.	AISI-304
9	Ajusting Screw	AISI-420	AISI-303
10	Tensor Nut	C. Steel zn.	AISI-303
11	Spring	Carbon Steel	AISI-302
12	Lever	A351 CF 8	A351 CF 8
17	Release nut	AISI-316L	AISI-316L
18	Lever axis	AISI-303	AISI-303
19	Packing lever axis	AISI-303	AISI-303
20	Gasket	NBR+MF	NBR
21	Gasket	NBR+MF	NBR
22	Gasket	Viton	Viton
27	Bellow	AISI-316 TI	AISI-316 TI
28	O' ring disc	Viton / PTFE	Viton / PTFE
24	Screw-nut	Carbon Steel	AISI-316
25	Flanged	A216 WCB	A351 CF-3M
26	Flanged 150#	A216 WCB	A351 CF-3M

○ Recommended spare parts

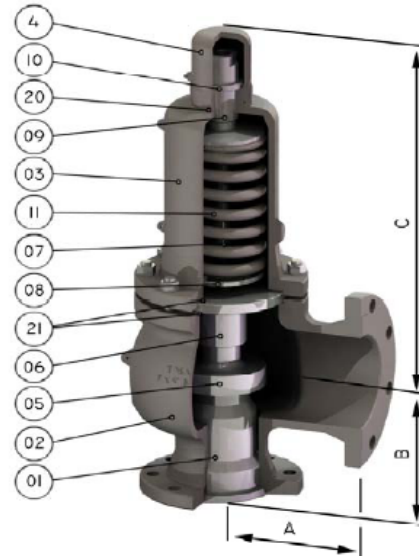
Palanca manual  
Lifting device



Palanca estanca  
Sealed packing lever



T. Prueba  
Test gag



Cpo. intermedio abierto  
Open bonnet



Fuelle  
Bellows



Obturator o-ring  
Disc o-ring



**Technical information**

Applications	Steam, gases, vapours and liquids
Min. Set pressure	0,2 barg
Seat	metal-metal, PTFE, Viton, Nozzle SS+Stellite ( 600#, 900#&1500#)
Overpressure	10% for steam, gas and vapour 20% for fire exposure 25% for liquid on thermal relief
Blowdown	7%
Tolerance Set pressure	± 3%
Discharge coefficients	k= 0,94 for gases      k= 0,6 for liquids