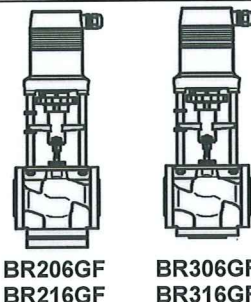


Control valves with electric actuators up to 150°C

PN 6 / 16 **2.2.3**

Flanged connection
PN 6 / PN 16
Cast iron

with electric actuators
MC55/24 • MC55/230 • MC55Y
MC65/24 • MC65/230 • MC65Y
MC100/24 • MC100/230
MC160/24 • MC160/230
MC161/24 • MC161/230
MC250/24 • MC250/230
MC400/24 • MC400/230
MC500/24 • MC500/230
MC1000/24 • MC1000/230



Features

- Suitable for the control of hot and chilled water (0...+150°C) in HEVAC systems control of heating plants. Above 130°C valves should only be mounted in the horizontal position.
- With stem heater suitable for water with antifreeze compounds down to -10°C
- Tight shut-off in the closed position
- Microprocessor controlled
- Automatic self-calibration on start up

Technical data valve

Series	BR206GF	BR216GF	BR306GF	BR316GF
Form	Two-way		Three-way	
Diameter nominal	DN 15 – DN 100	DN 15 – DN 150	DN 15 – DN 100	DN 15 – DN 150
Pressure rating	PN 6	PN 16	PN 6	PN 16
Characteristic	A→AB equal %		A→AB B→AB	equal % linear
Stroke	mm	14 (DN 15 – DN 50) 20 (DN 65) 30 (DN 65 – DN 100) 50 (DN 125 – DN 150)		
Rangeability		DN 15: 50:1 DN 20 – 150: 100:1		

Function: BR206/216GF as two-way valve
BR306/316GF as mixing or on-off valve

Connection type: Flanges acc. EN 1092-2 type 21

Face to face dimension: Acc. EN 558-1 basic series 1

Leakage rate: EN 1349 – seat-leakage VI G 1 (tight sealing)

Body: Cast iron EN-JL1040
Plug: Brass CW614N
Stem: CrMo-steel 1.4122
Stem sealing: O-rings EPDM

Valve variant and accessories

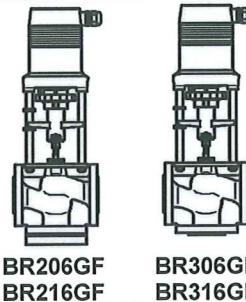
- Plug made of CrNi-steel 1.4305
- With stem heater suitable for water with antifreeze compounds down to -10°C
24 VAC, 50/60 Hz
DN 15 – DN 100 and DN 125 – DN 150 Power consumption: $P_{max} \approx 400 \text{ VA}$
 $P_N \approx 45 \text{ VA}$
- Epoxy resin special varnish as a corrosion resistant in case of condensed water, max. 80°C
- Usable for media based on mineral oil basis (stem sealing made of FKM)
- Technical silicon free version

Control valves with electric actuators up to 150°C

PN 6 / 16 **2.2.3**

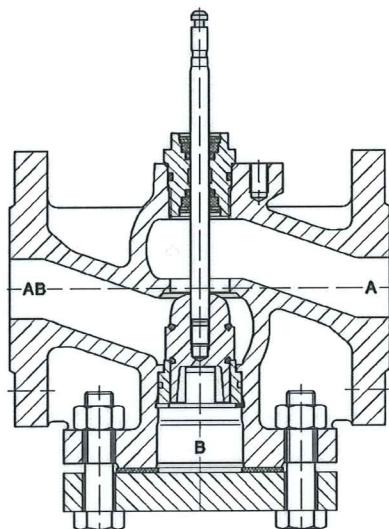
Flanged connection
PN 6 / PN 16
Cast iron

with electric actuators
MC55/24 • MC55/230 • MC55Y
MC65/24 • MC65/230 • MC65Y
MC100/24 • MC100/230
MC160/24 • MC160/230
MC161/24 • MC161/230
MC250/24 • MC250/230
MC400/24 • MC400/230
MC500/24 • MC500/230
MC1000/24 • MC1000/230

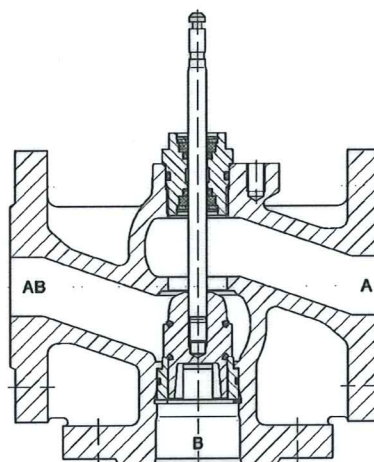


Drawing

DN 15 – DN 65 (stroke 20)

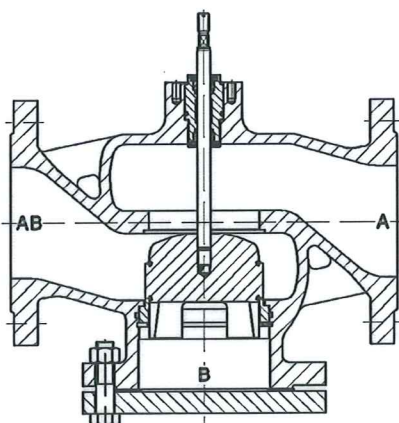


BR206GF / BR216GF

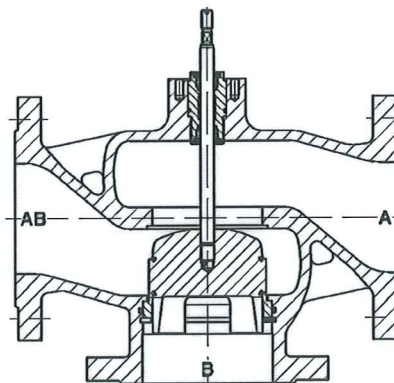


BR306GF / BR316GF

DN 65 (Stroke 30) – DN 100



BR206GF / BR216GF



BR306GF / BR316GF

Control valves with electric actuators up to 150°C

PN 6 / 16 **2.2.3**

Flanged connection
PN 6 / PN 16
Cast iron

with electric actuators
MC55/24 • MC55/230 • MC55Y
MC65/24 • MC65/230 • MC65Y
MC100/24 • MC100/230
MC160/24 • MC160/230
MC161/24 • MC161/230
MC250/24 • MC250/230
MC400/24 • MC400/230
MC500/24 • MC500/230
MC1000/24 • MC1000/230

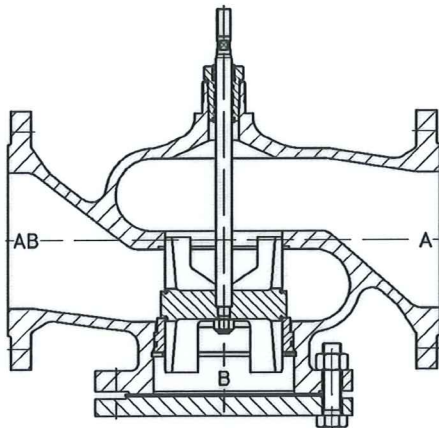


BR206GF
BR216GF

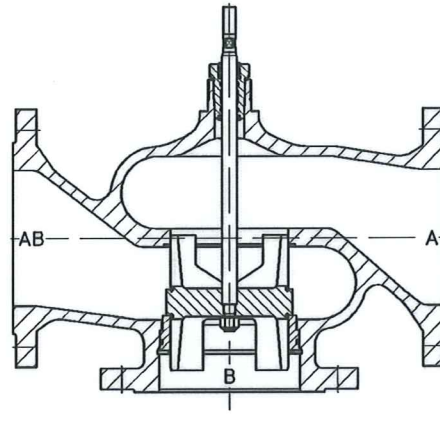


BR306GF
BR316GF

DN 125 – DN 150



BR216GF



BR316GF

Technical data actuator MC55 · MC65

Type		MC55/24	MC65/24	MC55/230	MC65/230	MC55Y	MC65Y
Actuating time ¹⁾	s/mm	9 · 5*		9 · 5*		9 · 5*	
Actuating thrust	kN	0.6		0.6		0.6	
Stroke	mm	max. 14	max. 20	max. 14	max. 20	max. 14	max. 20
Power supply	VAC	24 ±10%		230 +6% -10%		24 ±10%	
Power supply ²⁾	VDC	24 ±10%				24 ±10%	
Frequency	Hz	50/60 ±5%		50/60 ±5%		50/60 ±5%	
Power consumption	VA	3.5		7		3.5	
Input signal ³⁾		3-point		3-point		0(2)...10 VDC 77 kOhm 0(4)...20 mA 0.51 kOhm	
Output signal ³⁾		0...10 VDC max. 8 mA min. 1200 Ohm		0...10 VDC max. 8 mA min. 1200 Ohm		0...10 VDC max. 8 mA min. 1200 Ohm	
Hysteresis	V	0.3		0.3		0.3	

¹⁾ Actuating time freely adjustable, presetting is marked with *

²⁾ only rectified alternating voltage

³⁾ Invertible input and output signal

Control valves with electric actuators up to 150°C

PN 6 / 16 **2.2.3**

Flanged connection
PN 6 / PN 16
Cast iron

with electric actuators
MC55/24 • MC55/230 • MC55Y
MC65/24 • MC65/230 • MC65Y
MC100/24 • MC100/230
MC160/24 • MC160/230
MC161/24 • MC161/230
MC250/24 • MC250/230
MC400/24 • MC400/230
MC500/24 • MC500/230
MC1000/24 • MC1000/230



BR206GF
BR216GF



BR306GF
BR316GF

Enclosure protection: IP 54 in automatic operation
IP 30 in manual operation

Resolution: electric 0.04 VDC
mechanical 0.06 mm

Mains connection: Actuator with terminal

Operating mode: S3-50% ED c/h 1200 EN 60034-1

End position switch-off: load-dependent

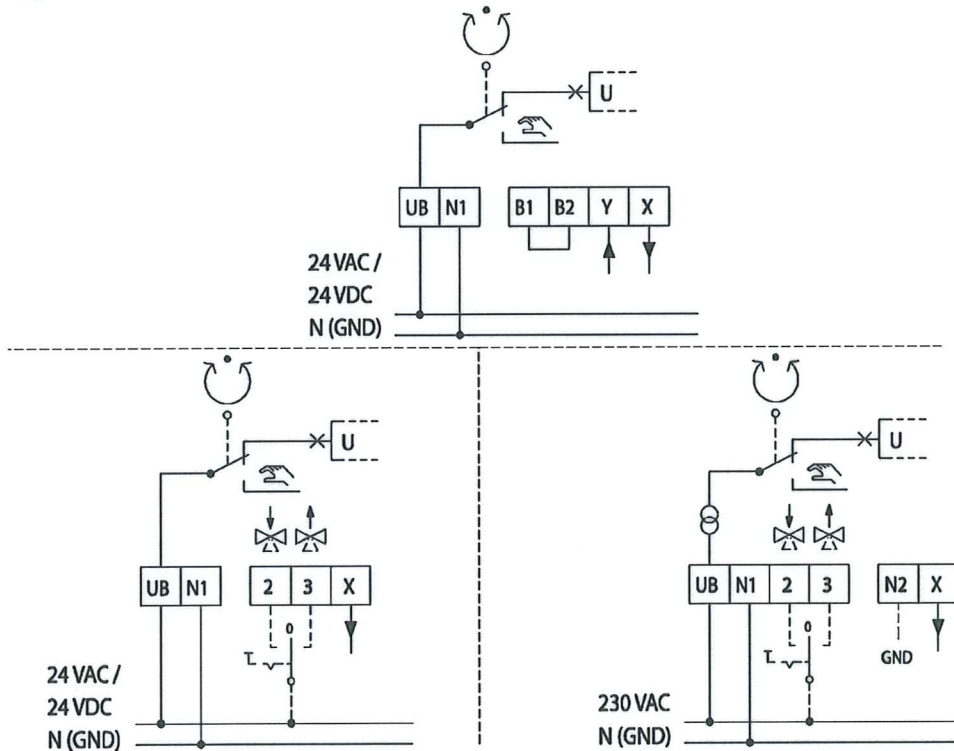
Ambient temperature: 0...+60°C

Weight: 1.5 kg

Actuator variant and accessories

- Voltage: 115 VAC
- Adapter with coupling for external products

Circuit diagram MC55 / MC65



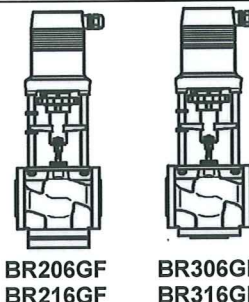
B1/B2 Connection of a binary signal (e.g. frost safety)

Control valves with electric actuators up to 150°C

PN 6 / 16 **2.2.3**

Flanged connection
PN 6 / PN 16
Cast iron

with electric actuators
MC55/24 • MC55/230 • MC55Y
MC65/24 • MC65/230 • MC65Y
MC100/24 • MC100/230
MC160/24 • MC160/230
MC161/24 • MC161/230
MC250/24 • MC250/230
MC400/24 • MC400/230
MC500/24 • MC500/230
MC1000/24 • MC1000/230



Technical data actuator MC100 – MC1000

Type		MC100/24	MC100/230
Actuating time ¹⁾	s/mm	12 · 9* · 4 · 1.9	12 · 9* · 4 · 1.9
Actuating thrust	kN	1.0	1.0
Stroke	mm	max. 20	max. 20
Power supply	VAC	24 ±10%	230 +6% -10%
Power supply ²⁾	VDC	24 ±10%	-
Frequency	Hz	50/60 ±5%	50/60 ±5%
Power consumption	VA	6	12
Input signal ³⁾		3-point 0(2)...10 VDC 77 kOhm 0(4)...20 mA 0.51 kOhm	3-point 0(2)...10 VDC 77 kOhm 0(4)...20 mA 0.51 kOhm
Output signal ³⁾		0...10 VDC max. 8 mA min. 1200 Ohm	0...10 VDC max. 8 mA min. 1200 Ohm
Hysteresis ⁴⁾	V	0.15 · 0.5	0.15 · 0.5

Type		MC160/24	MC161/24	MC160/230	MC161/230
Actuating time ¹⁾	s/mm	6 · 4*		6 · 4*	
Actuating thrust	kN	1.6		1.6	
Stroke	mm	max. 30	max. 20	max. 30	max. 20
Power supply	VAC	24 ±10%		230 +6% -10%	
Power supply ²⁾	VDC	24 ±10%		-	
Frequency	Hz	50/60 ±5%		50/60 ±5%	
Power consumption	VA	6		12	
Input signal ³⁾		3-point 0(2)...10 VDC 77 kOhm 0(4)...20 mA 0.51 kOhm		3-point 0(2)...10 VDC 77 kOhm 0(4)...20 mA 0.51 kOhm	
Output signal ³⁾		0...10 VDC max. 8 mA min. 1200 Ohm		0...10 VDC max. 8 mA min. 1200 Ohm	
Hysteresis ⁴⁾	V	0.05 · 0.15 · 0.3 · 0.5		0.05 · 0.15 · 0.3 · 0.5	

¹⁾ Actuating time freely adjustable, presetting is marked with *

²⁾ only rectified alternating voltage

³⁾ Invertible input and output signal

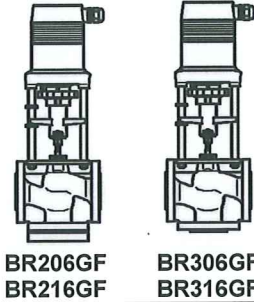
⁴⁾ Freely adjustable

Control valves with electric actuators up to 150°C

PN 6 / 16 **2.2.3**

Flanged connection
PN 6 / PN 16
Cast iron

with electric actuators
MC55/24 • MC55/230 • MC55Y
MC65/24 • MC65/230 • MC65Y
MC100/24 • MC100/230
MC160/24 • MC160/230
MC161/24 • MC161/230
MC250/24 • MC250/230
MC400/24 • MC400/230
MC500/24 • MC500/230
MC1000/24 • MC1000/230



Type		MC250/24	MC250/230
Actuating time ¹⁾	s/mm	5 · 2.5*	5 · 2.5*
Actuating thrust	kN	2.5	2.5
Stroke	mm	max. 60	max. 60
Power supply	VAC	24 ±10%	230 +6% -10%
Power supply ²⁾	VDC	24 ±10%	-
Frequency	Hz	50/60 ±5%	50/60 ±5%
Power consumption	VA	max. 18	max. 25
Input signal ³⁾		3-point 0(2)...10 VDC 77 kOhm 0(4)...20 mA 0.51 kOhm	3-point 0(2)...10 VDC 77 kOhm 0(4)...20 mA 0.51 kOhm
Output signal ³⁾		0...10 VDC max. 8 mA min. 1200 Ohm	0...10 VDC max. 8 mA min. 1200 Ohm
Hysteresis ⁴⁾	V	0.05 · 0.15 · 0.3 · 0.5	0.05 · 0.15 · 0.3 · 0.5

Type		MC400/24	MC400/230
Actuating time ¹⁾	s/mm	0.6 · 0.4*	0.6 · 0.4*
Actuating thrust	kN	4.0	4.0
Stroke	mm	max. 60	max. 60
Power supply	VAC	24 ±10%	230 +6% -10%
Power supply ²⁾	VDC	50/60 ±5%	50/60 ±5%
Frequency	Hz	max. 50	max. 63
Power consumption	VA	3-point 0(2)...10 VDC 77 kOhm 0(4)...20 mA 0.51 kOhm	3-point 0(2)...10 VDC 77 kOhm 0(4)...20 mA 0.51 kOhm
Input signal ³⁾		0...10 VDC max. 8 mA min. 1200 Ohm	0...10 VDC max. 8 mA min. 1200 Ohm
Output signal ³⁾		0.05 · 0.15 · 0.3 · 0.5	0.05 · 0.15 · 0.3 · 0.5

¹⁾ Actuating time freely adjustable, presetting is marked with *

²⁾ only rectified alternating voltage

³⁾ Invertible input and output signal

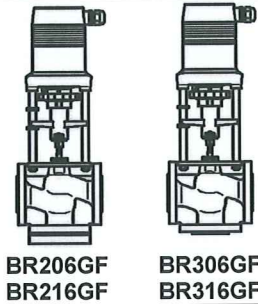
⁴⁾ Freely adjustable

Control valves with electric actuators up to 150°C

PN 6 / 16 **2.2.3**

Flanged connection
PN 6 / PN 16
Cast iron

with electric actuators
MC55/24 • MC55/230 • MC55Y
MC65/24 • MC65/230 • MC65Y
MC100/24 • MC100/230
MC160/24 • MC160/230
MC161/24 • MC161/230
MC250/24 • MC250/230
MC400/24 • MC400/230
MC500/24 • MC500/230
MC1000/24 • MC1000/230



Type		MC500/24	MC500/230
Actuating time ¹⁾	s/mm	5 · 2.5*	5 · 2.5*
Actuating thrust	kN	5.0	5.0
Stroke	mm	max. 60	max. 60
Power supply	VAC	24 ±10%	230 +6% -10%
Power supply ²⁾	VDC	24 ±10%	-
Frequency	Hz	50/60 ±5%	50/60 ±5%
Power consumption	VA	max. 18	max. 25
Input signal ³⁾		3-point 0(2)...10 VDC 77 kOhm 0(4)...20 mA 0.51 kOhm	3-point 0(2)...10 VDC 77 kOhm 0(4)...20 mA 0.51 kOhm
Output signal ³⁾		0...10 VDC max. 8 mA min. 1200 Ohm	0...10 VDC max. 8 mA min. 1200 Ohm
Hysteresis ⁴⁾	V	0.05 · 0.15 · 0.3 · 0.5	0.05 · 0.15 · 0.3 · 0.5

Type		MC1000/24	MC1000/230
Actuating time	s/mm	1	1
Actuating thrust	kN	10	10
Stroke	mm	max. 60	max. 60
Power supply	VAC	24 ±10%	230 +6% -10%
Frequency	Hz	50/60 ±5%	50/60 ±5%
Power consumption	VA	max. 50	max. 63
Input signal ¹⁾		3-Punkt 0(2)...10 VDC 77 kOhm 0(4)...20 mA 0.51 kOhm	3-Punkt 0(2)...10 VDC 77 kOhm 0(4)...20 mA 0.51 kOhm
Output signal ¹⁾		0...10 VDC max. 8 mA min. 1200 Ohm	0...10 VDC max. 8 mA min. 1200 Ohm
Hysteresis ²⁾	V	0.05 · 0.15 · 0.3 · 0.5	0.05 · 0.15 · 0.3 · 0.5

Enclosure protection: IP 54

Resolution:

MC...	electric	0.04 VDC
MC100	mechanical	0.095 mm
MC160 / MC161	mechanical	0.05 mm
MC250 / MC500	mechanical	0.04 mm
MC400	mechanical	0.12 mm

MC1000 mechanical 0.05 mm

Operating mode:

MC100 – MC500	S3-50% ED c/h 1200	EN 60034-1
MC400 / MC1000	S3-30% ED c/h 1200	EN 60034-1

End position switch-off: load-dependent

¹⁾ Stellzeit frei wählbar, Voreinstellung ist mit * gekennzeichnet, vor Ort einstellbar

²⁾ nur gleichgerichtete Wechselspannung

³⁾ stetige Signale invertierbar

⁴⁾ vor Ort einstellbar

Ambient temperature: MC100 / MC160 / MC161 0...+60°C

Control valves with electric actuators up to 150°C

PN 6 / 16 **2.2.3**

Flanged connection
PN 6 / PN 16
Cast iron

with electric actuators
MC55/24 • MC55/230 • MC55Y
MC65/24 • MC65/230 • MC65Y
MC100/24 • MC100/230
MC160/24 • MC160/230
MC161/24 • MC161/230
MC250/24 • MC250/230
MC400/24 • MC400/230
MC500/24 • MC500/230
MC1000/24 • MC1000/230



BR206GF
BR216GF



BR306GF
BR316GF

MC250 / MC400 / MC500 / MC1000 -10...+60°C

Weight:	MC100	2.5 kg
	MC160 and MC161	3.2 kg
	MC250/24 and MC500/24	7.0 kg
	MC250/230 and MC500/230	8.2 kg
	MC400	9.5 kg
	MC1000	11.0 kg

Actuator variant and accessories

- Voltage: 115 VAC
- Position switch unit ¹⁾: 2 switches (WE1/WE2), potential free, infinitely adjustable
 - Rated load: 8 A / 250 VAC
8 A / 30 VDC
 - Turn-on voltage: max. 400 VAC
max. 125 VDC
- Enclosure protection: IP 65
- Board for output signal X=0(4)...20 mA ¹⁾
- Adapter with coupling for external products

³⁾ MC100/MC160/MC161: Position switch unit and output signal 0(4)...20 mA not in combination

Control valves with electric actuators up to 150°C

PN 6 / 16 **2.2.3**

Flanged connection
PN 6 / PN 16
Cast iron

with electric actuators
MC55/24 • MC55/230 • MC55Y
MC65/24 • MC65/230 • MC65Y
MC100/24 • MC100/230
MC160/24 • MC160/230
MC161/24 • MC161/230
MC250/24 • MC250/230
MC400/24 • MC400/230
MC500/24 • MC500/230
MC1000/24 • MC1000/230



BR206GF
BR216GF



BR306GF
BR316GF

Technical data valve with actuator

PN 6

DN		15	20	25	32	40	50	65	65	80	100	
kvs-value	m³/h	4	6.3	10	16	25	40	63	63	100	160	
		2.5	5	8	12.5	20	31.5	50	50	80	125	
		1.6										
		1.25										
		0.63										
Stroke	mm	14						20	30			
MC55/24 MC55/230 MC55Y	Actuating time ¹⁾	125										
	Closing pressure	70*										
MC65/24 MC65/230 MC65Y	Actuating time ¹⁾							180				
	Closing pressure							100*				
MC100/24 MC100/230	Actuating time ¹⁾	170						240				
		125*						180*				
		55						80				
	Closing pressure	30						40				
MC161/24 MC161/230	Actuating time ¹⁾					95		120				
	Closing pressure					55*		80*				
MC160/24 MC160/230	Actuating time ¹⁾							120	180			
	Closing pressure							80*	120*			
MC250/24 MC250/230	Actuating time ¹⁾							350	230	140		
	Closing pressure							100	150			
MC400/24 MC400/230	Actuating time ¹⁾							50*	75*			
	Closing pressure							600	350	250		
MC500/24 MC500/230	Actuating time ¹⁾							15	20			
	Closing pressure							10*	15*			
MC1000/24 MC1000/230	Actuating time ¹⁾							600	600	400		
	Closing pressure							100	150			
MC1000/24 MC1000/230	Actuating time ¹⁾							50*	75*			
	Closing pressure							600	600	500		

100 kPa = 1 bar = 10 mWS

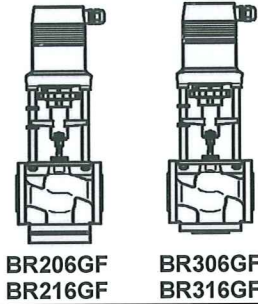
¹⁾ Actuating time freely adjustable, presetting is marked with *

Control valves with electric actuators up to 150°C

PN 6 / 16 **2.2.3**

Flanged connection
PN 6 / PN 16
Cast iron

with electric actuators
MC55/24 • MC55/230 • MC55Y
MC65/24 • MC65/230 • MC65Y
MC100/24 • MC100/230
MC160/24 • MC160/230
MC161/24 • MC161/230
MC250/24 • MC250/230
MC400/24 • MC400/230
MC500/24 • MC500/230
MC1000/24 • MC1000/230



PN 16

DN	15	20	25	32	40	50	65	65	80	100	125	150			
kvs-value	4 2.5 1.6 1.25 0.63	6.3 5	10 8	16 12.5	25 20	40 31.5	63 50	63 50	100 80	160 125	250	315			
Stroke	mm						14	20	30		50				
MC55/24 MC55/230 MC55Y	Actuating time ¹⁾	s						125							
	Closing pressure	kPa						1500	1250	750	450	250	150		
MC65/24 MC65/230 MC65Y	Actuating time ¹⁾	s						180		100*					
	Closing pressure	kPa						100							
MC100/24 MC100/230	Actuating time ¹⁾	s						170		240					
		s						125*		180*					
		s						55		80					
	Closing pressure	kPa						1600	1600	1500	900	550	350	150	
MC161/24 MC161/230	Actuating time ¹⁾	s						95		120					
	Closing pressure	kPa						1500	950	600	350				
MC160/24 MC160/230	Actuating time ¹⁾	s						120		180					
	Closing pressure	kPa						80*	120*						
MC250/24 MC250/230	Actuating time ¹⁾	s						100		150		250			
	Closing pressure	kPa						50*	75*		125*				
MC400/24 MC400/230	Actuating time ¹⁾	s						15		20		30			
	Closing pressure	kPa						10*	15*		20*				
MC500/24 MC500/230	Actuating time ¹⁾	s						950		650	400	200	130		
	Closing pressure	kPa						100	150		250				
MC1000/24 MC1000/230	Actuating time ¹⁾	s						50*		75*		125*			
	Closing pressure	kPa						1250	850	500	370	270			
	Actuating time ¹⁾	s												50	
	Closing pressure	kPa												800	550

100 kPa = 1 bar = 10 mWS

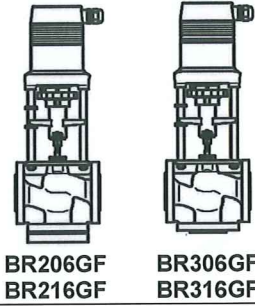
¹⁾ Actuating time freely adjustable, presetting is marked with *

Control valves with electric actuators up to 150°C

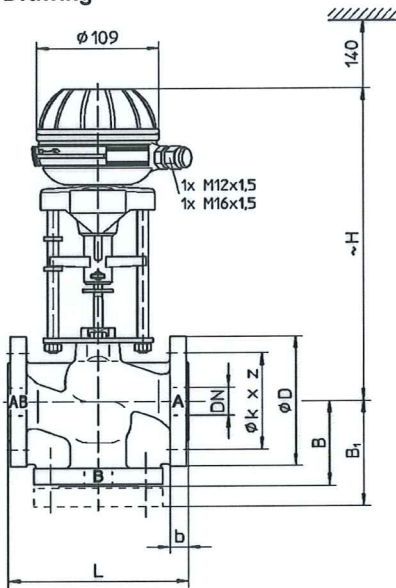
PN 6 / 16 **2.2.3**

Flanged connection
PN 6 / PN 16
Cast iron

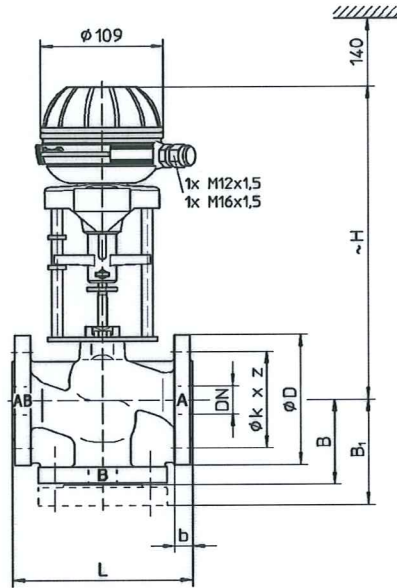
with electric actuators
MC55/24 • MC55/230 • MC55Y
MC65/24 • MC65/230 • MC65Y
MC100/24 • MC100/230
MC160/24 • MC160/230
MC161/24 • MC161/230
MC250/24 • MC250/230
MC400/24 • MC400/230
MC500/24 • MC500/230
MC1000/24 • MC1000/230



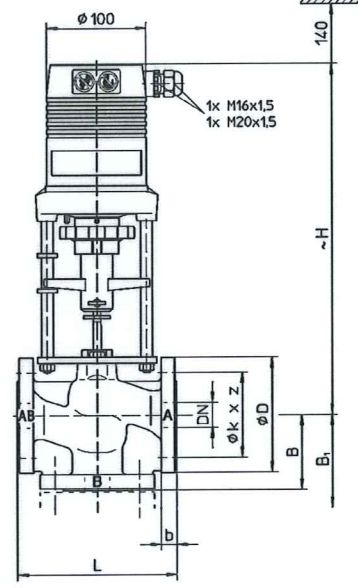
Drawing



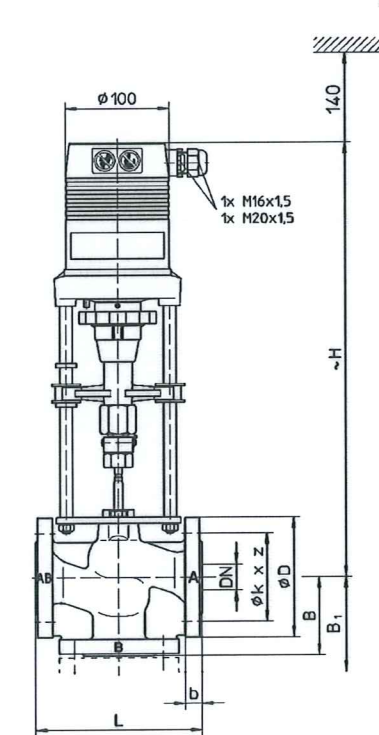
DN 15 – DN 50
MC55



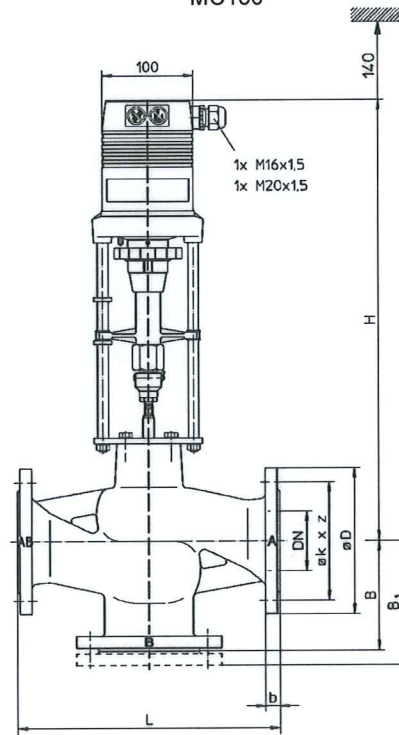
DN 65 (stroke 20)
MC65



DN 15 – DN 65 (stroke 20)
MC100



DN 32 – DN 65 (stroke 20)
MC161



DN 65 (stroke 30) – DN 100
MC160

Control valves with electric actuators up to 150°C

PN 6 / 16 **2.2.3**

Flanged connection
PN 6 / PN 16
Cast iron

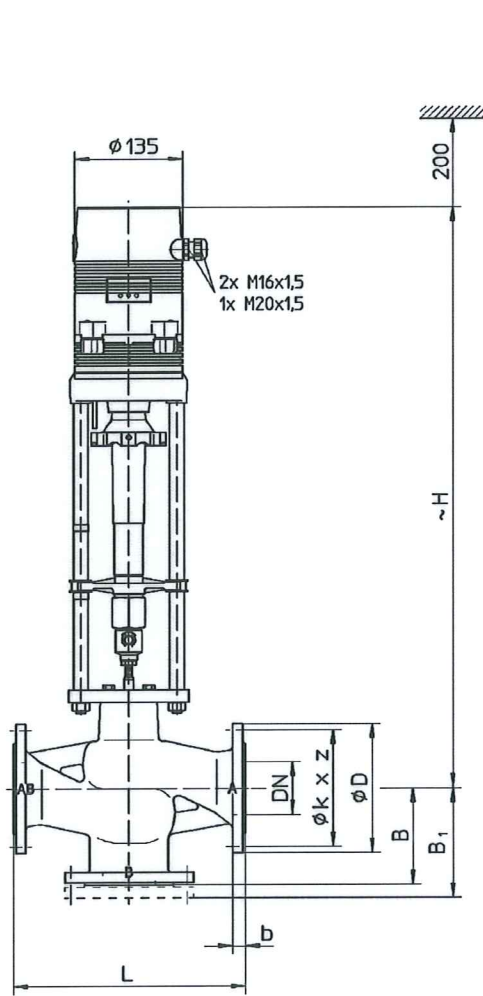
with electric actuators
MC55/24 • MC55/230 • MC55Y
MC65/24 • MC65/230 • MC65Y
MC100/24 • MC100/230
MC160/24 • MC160/230
MC161/24 • MC161/230
MC250/24 • MC250/230
MC400/24 • MC400/230
MC500/24 • MC500/230
MC1000/24 • MC1000/230



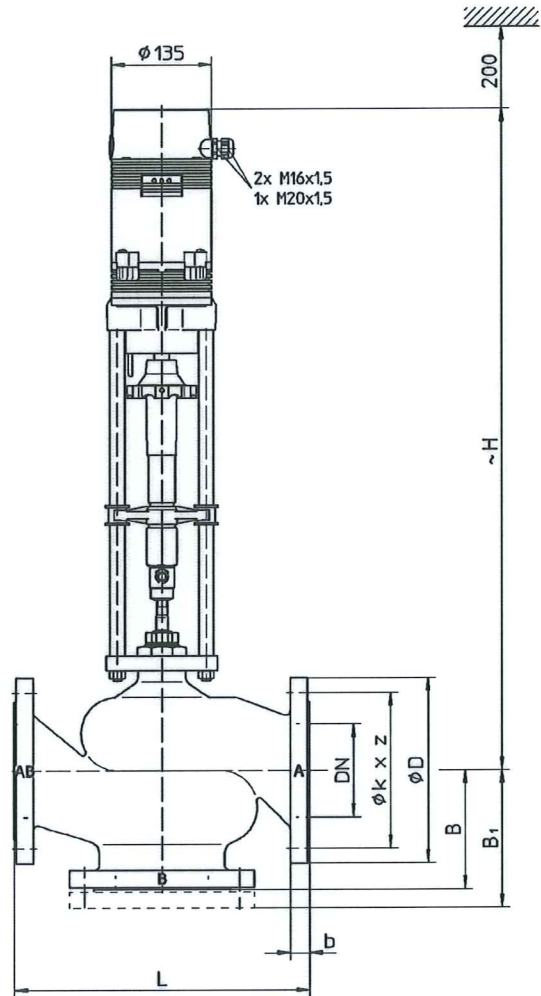
BR206GF
BR216GF



BR306GF
BR316GF



DN 65 (stroke 30) – DN 100



DN 125 – DN 150

MC250 / MC400 / MC500 / MC1000

Installation instruction:
Valve trim could be damaged by dirt in the pipe system. Therefore we recommend the installation of strainers.

Control valves with electric actuators up to 150°C

PN 6 / 16 **2.2.3**

Flanged connection
PN 6 / PN 16
Cast iron

with electric actuators
MC55/24 • MC55/230 • MC55Y
MC65/24 • MC65/230 • MC65Y
MC100/24 • MC100/230
MC160/24 • MC160/230
MC161/24 • MC161/230
MC250/24 • MC250/230
MC400/24 • MC400/230
MC500/24 • MC500/230
MC1000/24 • MC1000/230



Dimension

PN 6

DN		15	20	25	32	40	50	65	80	100		
L	mm	130	150	160	180	200	230	290	310	350		
B	mm	65	70	75	95	100	100	120	130	150		
B ₁	mm	86	93	98	119	124	124	144	158	178		
∅ D	mm	80	90	100	120	130	140	160	190	210		
∅ k	mm	55	65	75	90	100	110	130	150	170		
z	mm	4x ∅11			4x ∅14			4x ∅18				
b	mm	12	14	14	16	16	16	16	18	18		
H	MC55	24 VAC/230 VAC	mm	267	272	277	277	282	282			
	MC65	24 VAC/230 VAC	mm						335			
	MC100	24 VAC	mm	343	348	353	353	358	358	408		
		230 VAC	mm	368	373	378	378	383	383	433		
	MC161	24 VAC	mm					448	448	486		
		230 VAC	mm					473	473	511		
	MC160	24 VAC	mm						486	496	506	
		230 VAC	mm						511	521	531	
	MC250	24 VAC/230 VAC	mm						645	655	665	
	MC400	24 VAC/230 VAC	mm						695	705	715	
MC500	24 VAC/230 VAC	mm						645	655	665		
m	MC55	BR206GF	kg	4.3	5.4	6.3	8.6	10.3	12.0			
		BR306GF	kg	3.7	4.5	5.2	7.1	8.5	9.9			
	MC65	BR206GF	kg							19.4		
		BR306GF	kg							16.2		
	MC100	BR206GF	kg	5.3	6.4	7.3	9.6	11.3	13.0	20.4		
		BR306GF	kg	4.7	5.5	6.2	8.1	9.5	10.9	17.2		
	MC161	BR206GF	kg					12.0	13.7	21.1		
		BR306GF	kg					10.2	11.6	17.9		
	MC160	BR206GF	kg							21.1	29.5	40.3
		BR306GF	kg							17.9	25.2	34.2
MC250/ MC500 24 VAC	BR206GF	kg							24.9	33.3	44.1	
	BR306GF	kg							21.7	29.0	38.0	
MC250/ MC500 230 VAC	BR206GF	kg							26.1	34.5	45.3	
	BR306GF	kg							22.9	30.2	39.2	
MC400	BR206GF	kg							27.4	35.8	46.6	
	BR306GF	kg							24.2	31.5	40.5	

Control valves with electric actuators up to 150°C

PN 6 / 16 **2.2.3**

Flanged connection
PN 6 / PN 16
Cast iron

with electric actuators
MC55/24 • MC55/230 • MC55Y
MC65/24 • MC65/230 • MC65Y
MC100/24 • MC100/230
MC160/24 • MC160/230
MC161/24 • MC161/230
MC250/24 • MC250/230
MC400/24 • MC400/230
MC500/24 • MC500/230
MC1000/24 • MC1000/230



BR206GF
BR216GF



BR306GF
BR316GF

PN 16

DN		15	20	25	32	40	50	65	80	100	125	150	
L	mm	130	150	160	180	200	230	290	310	350	400	480	
B	mm	65	70	75	95	100	100	120	130	150	160	170	
B ₁	mm	89	96	101	123	128	130	150	162	182	194	207	
∅ D	mm	95	105	115	140	150	165	185	200	220	250	285	
∅ k	mm	65	75	85	100	110	125	145	160	180	210	240	
z	mm	4x ∅14			4x ∅18				8x ∅18			8x	
b	mm	14	16	16	18	18	20	20	22	24	26	26	
H	MC55	24 VAC/230 VAC	mm	267	272	277	277	282	282				
		MC65							335				
	MC100	24 VAC	mm	343	348	353	353	358	358	408			
		230 VAC	mm	368	373	378	378	383	383	433			
	MC161	24 VAC	mm				443	448	448	486			
		230 VAC	mm				468	473	473	511			
	MC160	24 VAC	mm							486	496	506	
		230 VAC	mm							511	521	531	
	MC250	24 VAC/230 VAC	mm							645	655	665	805
	MC400	24 VAC/230 VAC	mm							695	705	715	855
MC500	24 VAC/230 VAC	mm							645	655	665	805	
MC1000	24 VAC/230 VAC	mm										895	
m	MC55	BR216GF	kg	5.6	6.8	8.1	11.5	13.3	16.8				
		BR316GF	kg	4.6	5.5	6.5	9.1	10.6	13.1				
	MC65	BR216GF	kg							26.3			
		BR316GF	kg							21.5			
	MC100	BR216GF	kg	6.6	7.8	9.1	12.5	14.3	17.8	27.3			
		BR316GF	kg	5.6	6.5	7.5	10.1	11.6	14.1	22.5			
	MC161	BR216GF	kg				13.2	15.0	18.5	28.0			
		BR316GF	kg				10.8	12.3	14.8	23.2			
	MC160	BR216GF	kg							28.0	33.0	46.1	
		BR316GF	kg							23.2	27.2	39.2	
MC250/ MC500 24 VAC	BR216GF	kg							31.8	36.8	49.9	69.0	
	BR316GF	kg							27.0	31.0	43.0	59.0	
MC250/ MC500 230 VAC	BR216GF	kg							33.0	38.0	51.1	70.2	
	BR316GF	kg							28.2	32.2	44.2	60.2	
MC400	BR216GF	kg							34.3	39.3	52.4	71.5	
	BR316GF	kg							29.5	33.5	45.5	61.5	
MC1000	BR216GF	kg										73	
	BR316GF	kg										63	

01/03/2011 Data subject to change without notice

15/15

HORA
Holter Regelarmaturen GmbH & Co. KG
Geschäftsbereich Flow Control

Helleforthstrasse 58 – 60
33758 Schloss Holte-Stukenbrock
Germany

phone: +49 (0) 52 07 / 89 03 - 0
mail: fc@hora.de
www.hora.de

