

Bimetal thermometers type BT

Bimetal thermometers with rigid or every angle stem. Watertight casing stainless steel execution;

- NS 80 - 100 - 125 - 150;
- indication ranges included between -50 and +600 °C.



These instruments are manufactured in Europe

TECNICAL FEATURES

• **Nominal sizes**

- 80,100,125 and 150.

• **Casing**

- case and ring in AISI 304 stainless steel (AISI 316 on request - option V61) with bayonet bezel.

• **Protection degree (according to EN 60529)**

- IP 55 for dry execution;
- IP 67 (option V66 and V72).

• **Adjustment device of the calibration from outside.**

• **Protection degree (according to EN 60529)**

- IP 55 for dry execution;
- IP 67 (option V66 and V72).

• **Window**

- glass for dry execution;
- laminated safety glass for liquid filled execution or on request (option V17)

• **Thermometric element**

- bimetal spiral.

• **Ranges (according to EN 13190)**

- Graduation:
 - - 0 ÷ 60; 0 ÷ 100; 0 ÷ 120; 0 ÷ 160; 0 ÷ 200; 0 ÷ 250; 0 ÷ 300; 0 ÷ 400; 0 ÷ 500; 0 ÷ 600; -50 ÷ +50; -40 ÷ +60; -20 ÷ +40; -20 ÷ +100; (divisions as per table C2 at page 5)
 - other graduations not normalized for single or double range (on request).
- Unit of temperature:
 - °C (Celsius) and °F (Fahrenheit) for single or double range.
- Scale angle:
 - 270 °.

• **Working temperature (referred to full scale value)**

- from 1/10 to 9/10.

• **Over-temperature (occasionally allowed)**

- 115% of full scale value..

• **Pointer**

- aluminium with micrometer adjustment

• **Dial**

- white aluminium with black figures (for dial modifications see available options).

• **Accuracy (according to EN 13190)**

- class 1;

• **Sensitive Stem (see pages BT04 and BT06)**

note: instruments are manufactured with G8 (fixed) or G9 (sliding) connection also suitable for an eventual thermowell connection.

• **Thermowell (to be ordered separately)**

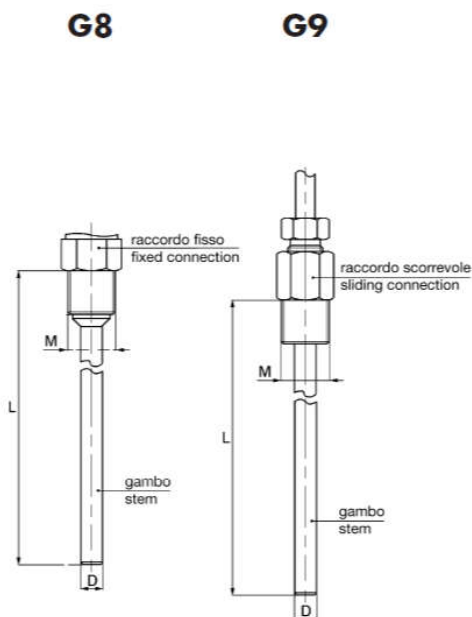
- built-up from pipe - P2 and P4 type;

- drilled from solid bar stock - P3 and P5 type (dimensions and materials are decided by the customer).

Options

Laminated safety glass	V17
Not standard process connection	V42
Serial number on dial	V50
Specific dial	V51
Caption on dial	V53
TAG number on dial	V54
Dial without logo	V56
Double logo on dial (Fantinelli + customer)	V57
Customer's logo on dial	V58
AISI 316 case and ring	V61
Silicon fluid filled case IP67 with safety glass	V66
IP67 case - not fillable	V72
IP67 fillable case	V73
Not standard sensitive stem diameter	V75
Metal TAG plate	V82
Fantinelli calibration certificate class 1	V92
Accredia calibration certificate	V96

Sensitive stem



Cilindrica sensitive stem

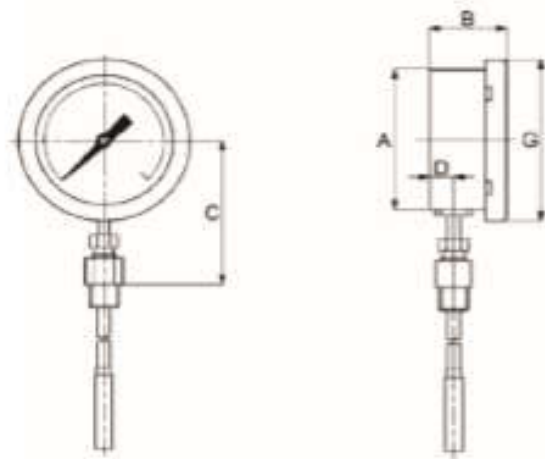
- o AISI 316L stainless steel;
- o diameter D:
 - 6 and 8 mm standard without thermowell;
 - 8 mm for thermowell;
- o length L:
 - standard 100, 150, 200, 250, 300 and 400 mm;
 - special length included between 100 and 500 mm;
- o AISI 316L st.st. male threaded process connection M:
 - fixed (G8) G 1/2 B (1/2 Gas or BSP) or 1/2-14 NPT EXT (1/2 NPT);
 - sliding (G9) G 1/2 B (1/2 Gas or BSP) or 1/2-14 NPT EXT (1/2 NPT);
 - 1/2-14 NPT EXT (1/2 NPT) connection to an eventual thermowell.

Stem selection

STANDARD AVAILABLE RANGES			
Range	Min. Stem L	Range	Min. Stem L
0/60°C	110 mm	0/400°C	80 mm
0/80°C	100 mm	0/500°C	80 mm
0/100°C	90 mm	0/600°C	60 mm
0/120°C	70 mm	-50/+50°C	90 mm
0/160°C	60 mm	-40/+60°C	90 mm
0/200°C	80 mm	-20/+40°C	70 mm
0/250°C	110 mm	-40/+120°C	60 mm
0/300°C	80 mm	-20/+100°C	70 mm

Available types

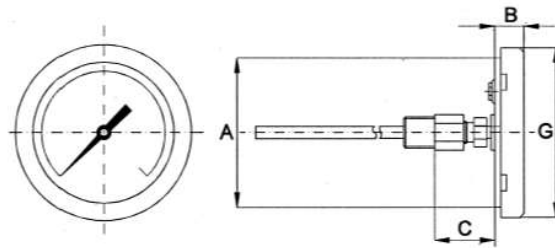
BT 385



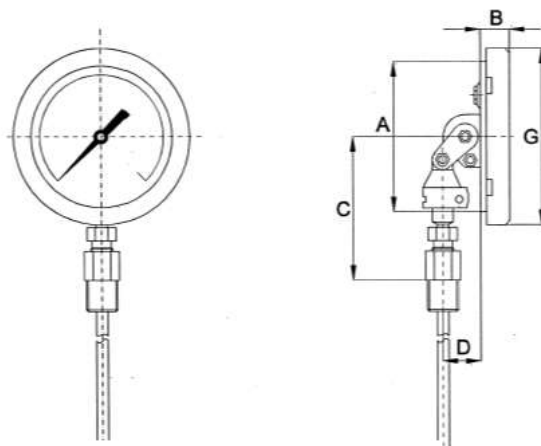
Thermometer for direct vertical mounting

Table BT 385

DN	A	B	C	D	E	F	G	H	I	L	M	N	Ø for 120°	PESO – kg
100	100	49	110	16,5			112							0,56
150	150	49	135	16,5			166							0,80

BT 387

Thermometer for direct horizontal mounting
Table BT 387

DN	A	B	C	D	E	F	G	H	I	L	M	N	Ø fori 120°	PESO - kg
100	100	21	58				111							0,38
125	126	30	58				129							0,48
150	150	24	58				161							0,60

BT 392

Every angle thermometer for direct mounting
Table BT 392

DN	A	B	C	D	E	F	G	H	I	L	M	N	Ø fori 120°	PESO - kg
100	100	21	90	40			111							0,56
125	126	30	90	40			129							0,66
150	150	24	90	40			161							0,78

note: informations shown in this series may be changed at any time without prior notice

How to order

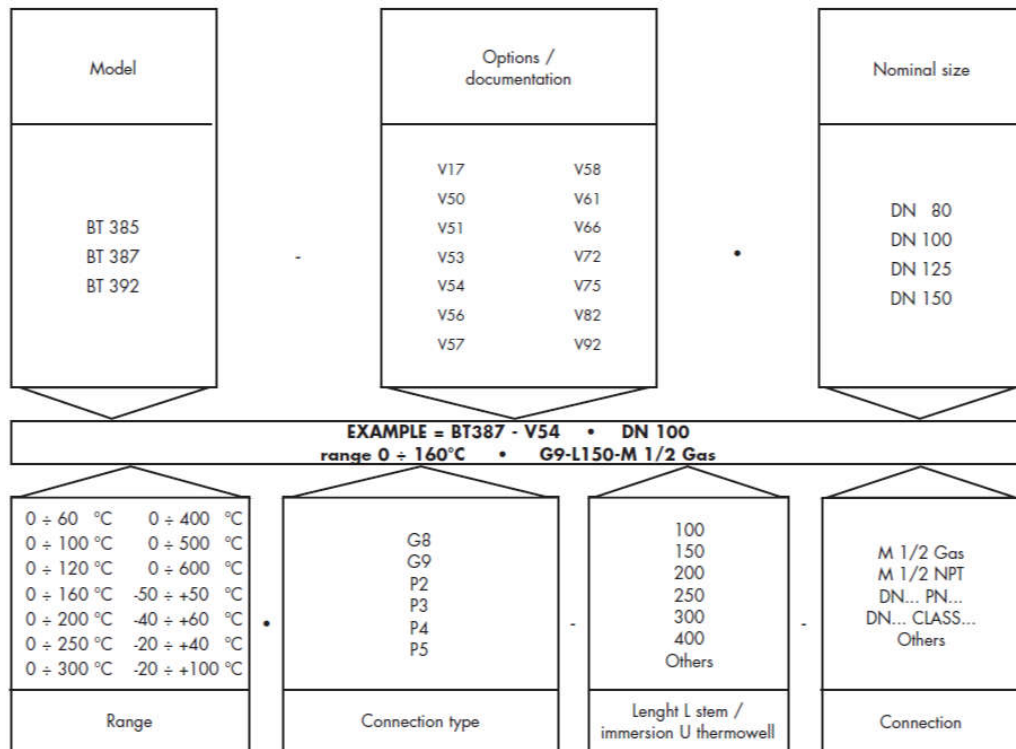


Table C2 -
Scale ranges for temperature values between -50 and 600°C acc. to EN

Graduation	Class 1		Graduation	Class 1	
	Division	Division N.		Division	Division N.
0 ÷ 60	1	60	0 ÷ 400	10	40
0 ÷ 100	2	50	0 ÷ 500	10	50
0 ÷ 120	2	60	0 ÷ 600	10	60
0 ÷ 160	2	80	-50 ÷ +50	2	50
0 ÷ 200	5	40	-40 ÷ +60	2	50
0 ÷ 250	5	50	-20 ÷ +40	1	60
0 ÷ 300	5	60	-20 ÷ +100	2	60