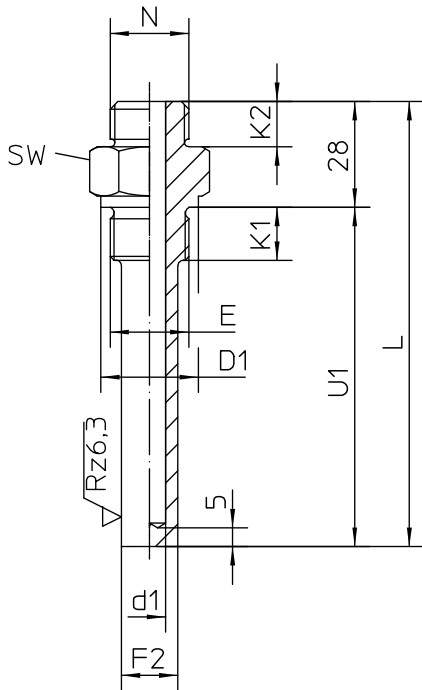


Thermowell screw-in type per DIN 43772, form 9, solid drilled, male thread, Type series HA8050



Materials

	material-no.	T max.	P max.*
stainless steel	1.4571	550°C	150 bar
stainless steel	1.4404	550°C	150 bar

* static conditions of use

Other materials upon request.

The thermowells are available with material certificate per DIN EN 10204-3.1 and are suitable for connection to Zone 0 according to the technical instruction TA_033.

Upon request a calculation for thermowells can be made (for static or dynamic application) with certificate.

Length L1 of the temperature detecting element (dial indicating thermometers)

$$L1 = U1 + A$$

DIN-lengths of the thermowells

(pls specify deviating lengths)

L mm	U1 mm
101	73
138	110
198	170
288	260
438	410

Order details

Thermowell screw-in type per DIN 43772, form 9, solid drilled, male thread, Type series HA8050

Order code HA8050											
HA8050 Screw in thermowell per DIN 43772 for thermometers with male thread											
		screw in thread E	instrument screw threads N	bore hole Ø d1	pipe Ø F2	D1	K1	H1	SW	A	
A11	thermowell form 9	G 1/2 B	G 1/2 B	7	17	26	14	12	27	16	
A12				9							
A13				11							
A30		G 3/4 B	G 3/4 B	7	17	32	16	14	32	20	
A31				9	17						
A32				11	19						
A33				13	20						
A34				14	22						
A99		pls specify									
G10		material	stainless steel 1.4571 (standard)								
G11	stainless steel 1.4404										
G99	pls specify										

additional features (to be indicated in case of need, only):	
W1220	combined pressure and leak test (pls specify test pressure)
W1020	material certificate per DIN EN 10204 -3.1
W2502	suitable for connection to Zone 0 acc. to TA_033

Order code (example): HA8050 - A11 - G10 - W1020 - U1=...
(length U1 pls specify in mm; min. 73, max. 383 mm)