

LEX30 Thermocouple EEx d with Integrated 2-Wire Transmitter



Construction

Norm	According EN 50014 and EN 50018
EX execution	<u>II 2G EEx d IIC T6</u>
Certificate	ISSeP02ATEX012
Suitable for zone	1 and 2
Ingress protection	IP66 / IEC529
Ambient temp. limits	-20°C...+65°C standard, -40°C...+65°C optional.

Transmitter

Model and Type	To be specified
Ambient temp. limits	Depending on transmitter specs.

Connection head

Material	Cast aluminium or SS316
Cable entry	Single M20 x 1,5, two entries optional
Cover	Threaded with retaining chain
Fire Lock	At process side

Measuring insert

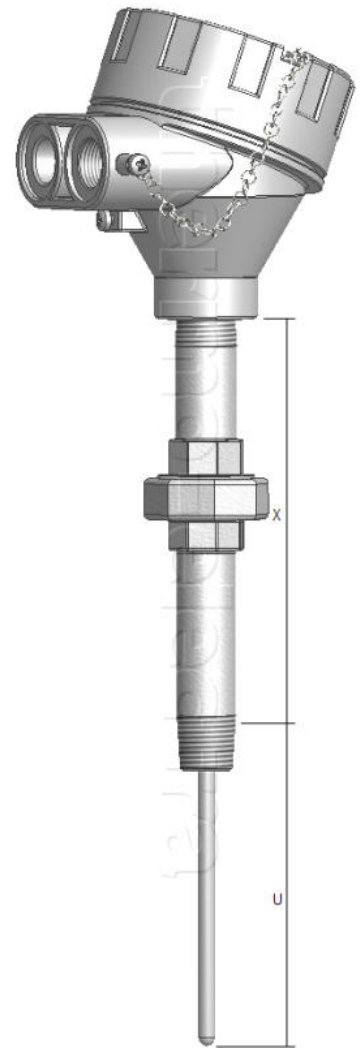
Construction	Replaceable, springloaded > 10 mm
Diameter	6.0 mm
Type	Mineral insulated

Thermocouple

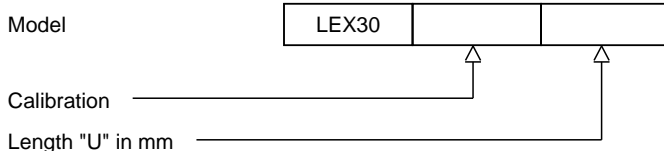
Calibration	K, T, J, E, R, S, B, U, N or L
For duplex	KK, TT, JJ, EE, RR, SS, BB, UU, NN or LL
Accuracy	According IEC 584

Extension

Type	Nipple - union - nipple
Material	Stainless Steel 316
Style / Connection	1/2" NPT male thread
Length "X"	150 mm standard . Other length possible



Ordering code



H3-1 Rev.0 7/07



thermo-electra
temperature sensor solutions

Thermo Electra B.V.
Weteringweg 10
2641KM Pijnacker
The Netherlands

Phone +31 (0)15 - 3621200
Fax +31 (0)15 - 3694082
Email sales@thermo-electra.com
http://www.thermo-electra.com

