

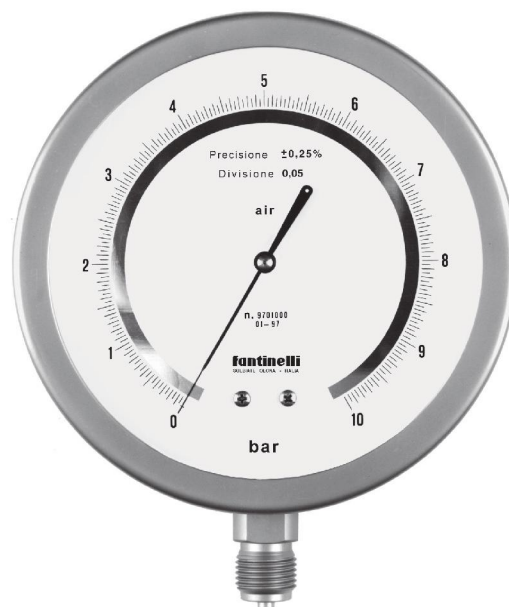


CP SERIES section 1

Test gauges

- ◆ accuracy class 0,25;
- ◆ C-Bourdon tube pressure element;
- ◆ NS 150 - 260;
- ◆ ranges included between -1 and 1000 bar.

Our metrological laboratory beside others testing equipment has two RUSKA deadweight testers with 0,0035% accuracy class and 0,0001% sensitivity with values ranging from absolute vacuum up to 5000 bar.



made in
ITALY



PED 2014/68/EU
ATEX 2014/34/EU



TECHNICAL FEATURES

- **Nominal sizes**
 - 150 and 260.
- **Casing**
 - case and ring in AISI 304 stainless steel with bayonet bezel for NS 150;
 - case and ring in AISI 304 stainless steel with bayonet bezel for solid front execution (for CP 331-A NS 150 only) - option V65 (for technical features and dimensions see SF series);
 - aluminium case and ring painted with black epoxy powder with screw clamping, for NS 260.
- **Protection degree (according to EN 60529)**
 - IP 55.
- **Window**
 - glass for NS 150;
 - methacrylate for NS 260;
 - laminated safety glass (standard for solid front execution and on request for CP 330 and CP 331 NS 150 - option V17).
- **Blow-out device**
 - rubber plug;
 - solid front execution (see SF series).
- **Pressure connection (according to EN 837-1)**
 - with G 1/2 B (1/2 Gas or BSP) or 1/2-14 NPT EXT (1/2 NPT) thread in AISI 316 stainless steel.
- **Pressure element**
 - copper berillium for scale values up to 600 bar;
 - Ni-Span C (Fe Ni Cr alloy) for scale value 1000 bar.
- **Welding**
 - silver alloy for copper berillium pressure element;
 - TIG for Ni-Span C pressure element.
- **Movement**
 - high precision.
- **Ranges (according to EN 837-1)**
 - **Graduation:**
 - pressure gauges: 0 ÷ 1; 0 ÷ 1,6; 0 ÷ 2,5; 0 ÷ 4; 0 ÷ 6; 0 ÷ 10; 0 ÷ 16; 0 ÷ 25; 0 ÷ 40; 0 ÷ 60; 0 ÷ 100; 0 ÷ 160; 0 ÷ 250; 0 ÷ 400; 0 ÷ 600; 0 ÷ 1000;
 - vacuum gauges: -1 ÷ 0;
 - (divisions as per table C1 at page P04)
 - **Unit of pressure:**
 - bar, kPa, MPa, kg/cm² and psi for single, double or triple range.
 - **Scale angle:**
 - 300 °.
- **Working pressure (referred to full scale deflection)**
 - from 1/10 to 3/4.
- **Over-pressure, vibrations and hard pressure pulsations**
 - not allowed.
- **Accuracy (according to EN 837 -1)**
 - class 0,25 (± 0,25% of full scale deflection).
 - note 1:** instrument is calibrated at an ambient temperature included between +15 and +25 °C; over these values instrument accuracy is influenced by a thermal drift of about 0,05% every 10 °C;
 - note2:** the instrument must be installed with dial in vertical position.
- **Pointer**
 - balanced and knife edged.
- **Dial**
 - dlight green aluminium with black figures, with anti-parallax mirror, for single range;
 - note:** tall instruments are identified by a serial number written on the dial.
- **Calibration certificate**
 - rising and falling pressure:
 - Fantinelli (standard);
 - ACCREDIA (on request).
- **Carrying case**
 - to protect and transport the instrument; only on request for DN 150.



OPTIONS

- **Window**
- laminated safety glass (NS 150 only).
(identification V17)
- **Degreasing for oxygen service**
(identification V31)
- **Screwed pressure connection**
different from standard. (identification V42)
- **Flanged pressure connection**
Ø 40 mm and clamp for NS 150 with scale value included between -1 e 100 bar.
(identification V71)
- **Not standard single range dial**
(identification S59)
- **Double range dial**
(identification D59)
- **Solid front execution casing**
only for CP 331-A NS 150 (see SF series for technical features and dimensions).
(identification V65)

DOCUMENTATION

- **ACCREDIA calibration certificate**
(identification V98)
- **Complementary documents**
 - o certificate of compliance EN 10204-2.2.
 - o technical documentation including;
 - drawings and technical informations ;
 - installation and maintenance instructions.
 - o PED declaration.
 - o ATEX declaration.

CARRYING CASE



TECHNICAL INFORMATIONS

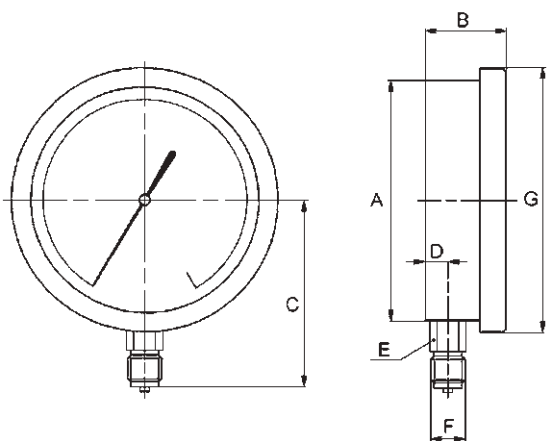


Table CP 331-A

DN	A	B	C	D	E	F	G	H	I	L	M	N	Ø fori 120°	PESO ~ kg
150	150	50	114	155	22	1/2	166							0,94
260	258	64	177	185	17	1/2	280							3,32

Note: See SF series for solid front version dimensions
Pressure gauge with bottom connection for local mounting.

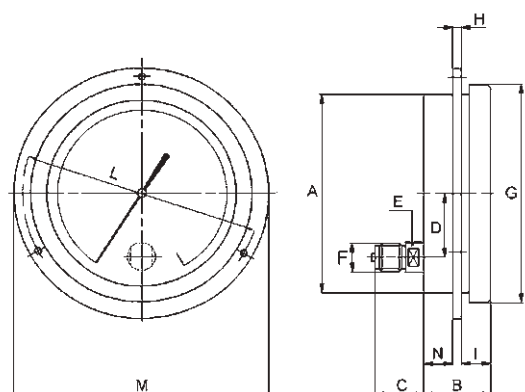


Table CP 331-C

DN	A	B	C	D	E	F	G	H	I	L	M	N	Ø fori 120°	PESO ~ kg
150	150	53	35,5	51	17	1/2	166	7	19	178	192	27	5	1,09
260	258	64	34	48	17	1/2	280	6	27	298	315	31	6,5	3,64

Pressure gauge with back connection for flush mounting with 3 fixing holes.

note: informations shown in this series may be changed at any time without prior notice.