

ULLI ELEKTRISKE AKTUATOR ULLI ACTUATORS

1. **Original Brochure/Original Brochure**
 - Dimensioner/ Dimensions
 - Momenter/ Torque
 - Forbrug (W & Amp)/Electrical Data
2. **Klemplaner/Terminal Plans**
 - On/Off
 - Modulerende /Modulating
3. **Instruktioner Modulerende aktuatorer /IOM Modulating Actuators**
 - Settings af FACP-11
4. **Info momentsikring**
 - Overtorque protection module /Over Toque Module
5. **Info "Fail Safe" aktuatorer /Fail Safe Capacitor Actuators**
 - Capacitor backup
6. **Diverse godkendelser /Approvals**
 - Low Volt Directive etc.



1

Rotary Valve Actuator

model	power supply	torque NM	stroke time 50Hz SEC.	motor F Class in/out (W)	Max start current (A)	Max running current (A)	weight KGS	IP class
ulli-2	24VAC	20NM	30 SEC.	15W/5W	0,12	0,12	1.8 Kgs	IP 68*
ulli-5	24VAC	50NM	30 SEC.	30W/10W	0,25	0,25	2.6 Kgs	IP 68*
ulli-10	24VAC	100NM	30 SEC.	80W/23W	0,58	0,5	3.7 Kgs	IP 68*
ulli-25	24VAC	250NM	30 SEC.	100W/30W	0,72	0,68	6.7 Kgs	IP 68*
ulli-50	24VAC	500NM	60 SEC.	300W/90W	1,38	1,2	8.0 Kgs	IP 68*
ulli-100	24VAC	1000NM	100 SEC.	300W/90W	1,38	1,2	12 Kgs	IP 68*
digicom-5	24VAC	50NM	30 SEC.	30W/10W	0,25	0,25	3.0 Kgs	IP 68*
digicom-10	24VAC	100NM	30 SEC.	80W/23W	0,58	0,5	3.7 Kgs	IP 68*
digicom-25	24VAC	250NM	30 SEC.	150W/45W	0,72	0,68	6.7 Kgs	IP 68*
digicom-50	24VAC	500NM	60 SEC.	300W/90W	1,38	1,2	8.0 Kgs	IP 68*
digicom-100	24VAC	1000NM	100 SEC.	300W/90W	1,38	2	12.8 Kgs	IP 68*
ulli-5	24VDC	50NM	6 SEC.	15W/10W	0,7	0,6	2.6 Kgs	IP 68*
ulli-10	24VDC	100NM	13 SEC.	25W/18W	1,3	1,1	3.7 Kgs	IP 68*
ulli-25	24VDC	250NM	13 SEC.	50W/38W	2,6	2,2	6.7 Kgs	IP 68*
ulli-50	24VDC	500NM	26 SEC.	50W/38W	2,6	2,2	8.0 Kgs	IP 68*
ulli-100	24VDC	1000NM	45 SEC.	50W/38W	2,6	2,2	12 Kgs	IP 68*
digicom-5	24VDC	50NM	6 SEC.	15W/10W	0,7	0,6	2.6 Kgs	IP 68*
digicom-10	24VDC	100NM	13 SEC.	25W/18W	1,3	1,1	3.7 Kgs	IP 68*
digicom-25	24VDC	250NM	13 SEC.	50W/38W	2,6	2,2	6.7 Kgs	IP 68*
digicom-50	24VDC	500NM	26 SEC.	50W/38W	2,6	2,2	8.0 Kgs	IP 68*
digicom-100	24VDC	1000NM	45 SEC.	50W/38W	2,6	2,2	12.8 Kgs	IP 68*
ulli-2	110VAC	20NM	30 SEC.	15W/5W	0,12	0,12	1.8 Kgs	IP 68*
ulli-5	110VAC	50NM	30 SEC.	30W/10W	0,25	0,25	2.6 Kgs	IP 68*
ulli-10	110VAC	100NM	30 SEC.	80W/23W	0,58	0,5	3.7 Kgs	IP 68*
ulli-25	110VAC	250NM	45 SEC.	100W/30W	0,72	0,68	6.7 Kgs	IP 68*
ulli-50	110VAC	500NM	30 SEC.	300W/90W	1,38	1,2	8.0 Kgs	IP 68*
ulli-100	110VAC	1000NM	50 SEC.	300W/90W	1,38	1,2	12 Kgs	IP 68*
ulli-200	110VAC	2000NM	100 SEC.	300W/90W	1,38	1,2	12 Kgs	IP 68*
ulli-400	110VAC	4000NM	120 SEC.	500W/150W	2,3	2	31 Kgs	IP 68*
ulli-600	110VAC	6000NM	180 SEC.	500W/150W	2,3	2	31 Kgs	IP 68*
digicom-5	110VAC	50NM	30 SEC.	30W/10W	0,25	0,25	2.6 Kgs	IP 68*
digicom-10	110VAC	100NM	30 SEC.	80W/23W	0,58	0,5	3.7 Kgs	IP 68*
digicom-25	110VAC	250NM	30 SEC.	150W/45W	0,72	0,68	6.7 Kgs	IP 68*
digicom-50	110VAC	500NM	30 SEC.	300W/90W	1,38	1,2	8.0 Kgs	IP 68*
digicom-100	110VAC	1000NM	50 SEC.	300W/90W	1,38	1,2	12 Kgs	IP 68*
digicom-200	110VAC	2000NM	100 SEC.	300W/90W	1,38	1,2	12 Kgs	IP 68*
digicom-400	110VAC	4000NM	120 SEC.	500W/150W	2,3	2	31 Kgs	IP 68*
digicom-600	110VAC	6000NM	180 SEC.	500W/150W	2,3	2	31 Kgs	IP 68*
ulli-2	230VAC	20NM	30 SEC.	15W/5W	0,12	0,12	1.8 Kgs	IP 68*
ulli-5	230VAC	50NM	30 SEC.	30W/10W	0,25	0,25	2.6 Kgs	IP 68*
ulli-10	230VAC	100NM	30 SEC.	80W/23W	0,58	0,5	3.7 Kgs	IP 68*

ulli-25	230VAC	250NM	45 SEC.	100W/30W	0,72	0,68	6.7 Kgs	IP 68*
ulli-50	230VAC	500NM	30 SEC.	300W/90W	1,38	1,2	8.0 Kgs	IP 68*
ulli-100	230VAC	1000NM	50 SEC.	300W/90W	1,38	1,2	12 Kgs	IP 68*
ulli-200	230VAC	2000NM	100 SEC.	300W/90W	1,38	1,2	12 Kgs	IP 68*
ulli-400	230VAC	4000NM	120 SEC.	500W/150W	2,3	2	31 Kgs	IP 68*
ulli-600	230VAC	6000NM	180 SEC.	500W/150W	2,3	2	31 Kgs	IP 68*
digicom-5	230VAC	50NM	30 SEC.	30W/10W	0,25	0,25	2.6 Kgs	IP 68*
digicom-10	230VAC	100NM	30 SEC.	80W/23W	0,58	0,5	3.7 Kgs	IP 68*
digicom-25	230VAC	250NM	30 SEC.	150W/45.W	0,72	0,68	6.7 Kgs	IP 68*
digicom-50	230VAC	500NM	30 SEC.	300W/90W	1,38	1,2	8.0 Kgs	IP 68*
digicom-100	230VAC	1000NM	50 SEC.	300W/90W	1,38	1,2	12 Kgs	IP 68*
digicom-200	230VAC	2000NM	100 SEC.	300W/90W	1,38	1,2	12 Kgs	IP 68*
digicom-400	230VAC	4000NM	120 SEC.	500W/150W	2,3	2	31 Kgs	IP 68*
digicom-600	230VAC	6000NM	180 SEC.	500W/150W	2,3	2	31 Kgs	IP 68*

* IP68 1m water depth, keep 1 hour.

Option:

ULLI-S : Standard + 2 extra limit switch

ULLI-R : Standard + Potentiometer

ULLI-T : Standard + Potentiometer+ torque switch

BRIEF INTRODUCTION:

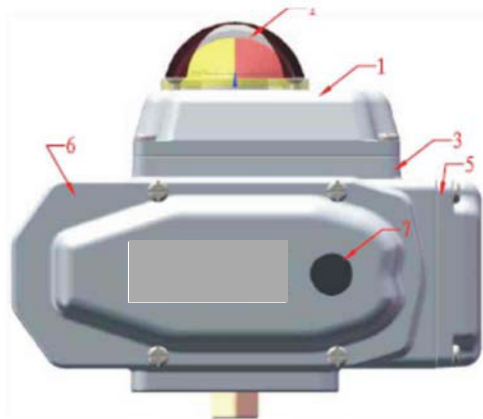
“ulli” series of electric actuators are specially designed with 12 internal ball bearings by good appearance in outside. Its rolling lifespan is 10 times higher than the state standards.

---- Our “ulli” series electric actuators have the CE and CSA certificates.

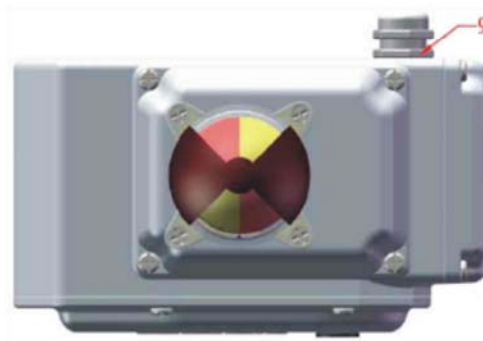
---- We have exclusive patent on this “ulli” series electric actuators. It has the advantages of being compact, light-in-weight, stable-performance, accurate and economical.

Advantages in details:

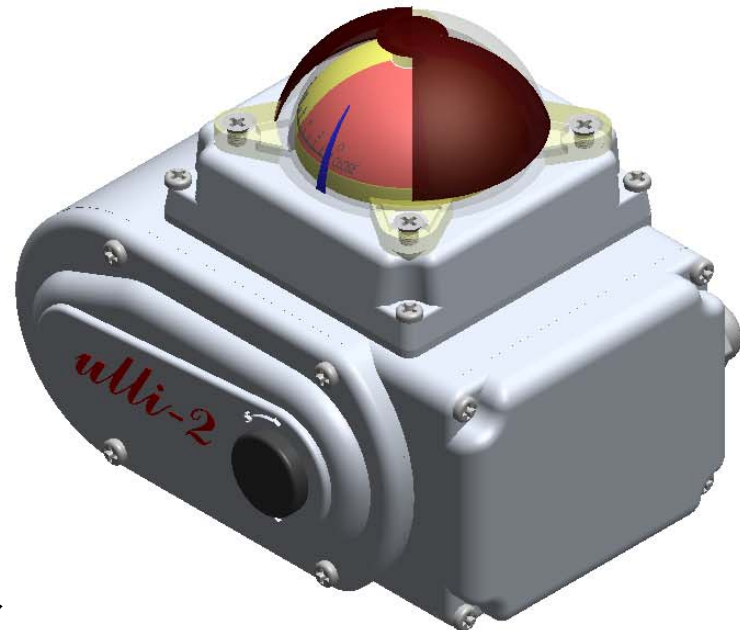
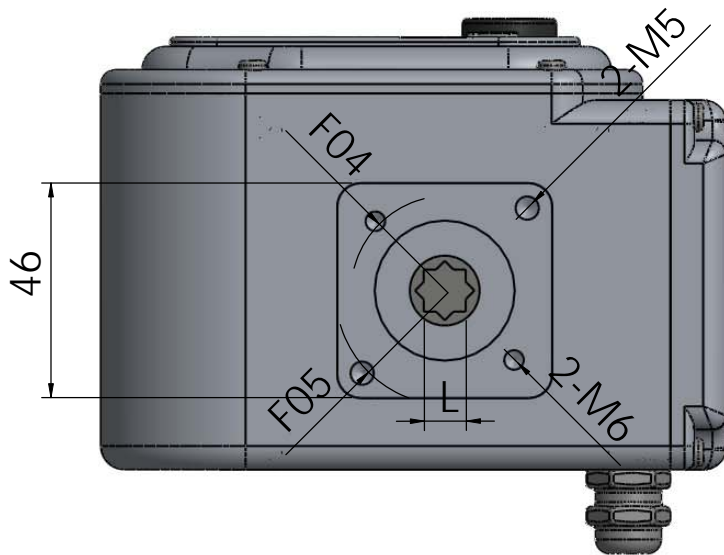
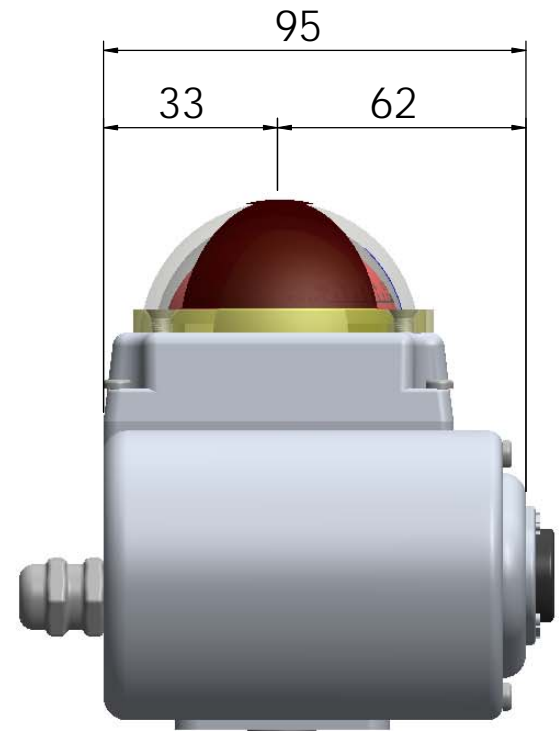
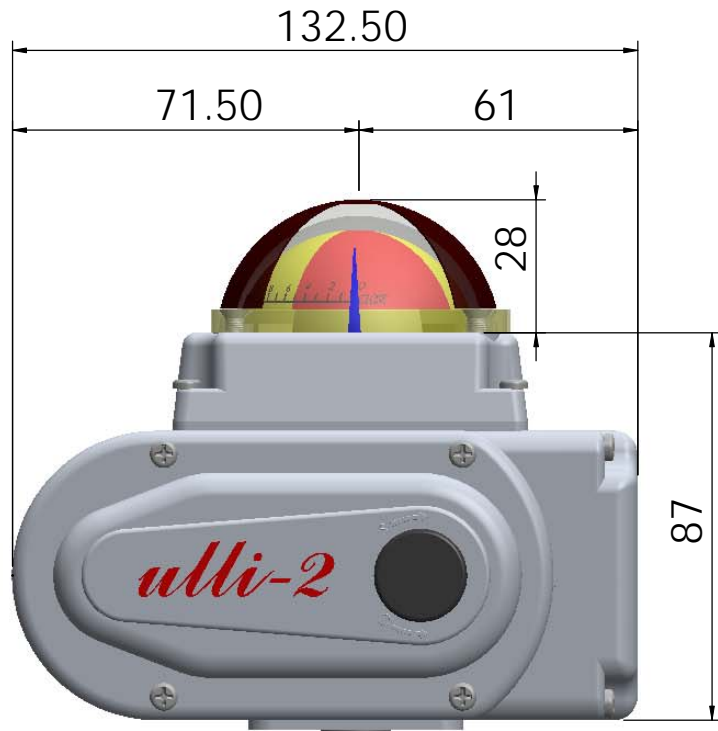
1. **More Functions:** Including intelligent type, scaling type, switching type, multi-signal output type, etc.
2. **Compact-in-size, and light-in-weight:** It is now only 35% as the weight of before.
3. **IP68 standard:** This means our product has high performance in self-protection, and it is free to be used outside, and even in deep seas.
4. **Stable Performance:** We use high-quality and famous-brand bearings and key components, which makes our equipment working well in stable performance.
5. **Fashionable Appearance:** Well-designed outline and refined aluminium crust.
6. **Anti-friction:** It is durable in use.
7. **Accurate:** It has high-precision performance
8. **Safety ensurance:** It has passed the 1500V high voltage test, and is also highly ensured by CE, and CSA.
9. **Power:** Single Phase power with simple and easy circuits. AC380V is also acceptable.
10. **Easy-in-use:** It is water-resistant and antirust, no need to add oil. (Easy to be installed.)
11. **Speed:** with 5 / 10 / 15 / 30 / 60 sec in speed setting.
12. **Intelligent Integration:** the intelligent module is unified with the equipment.



1. Ball Viewer
2. Cover 1
3. Main Unit
5. Cover 2 (cable inside)
6. Cover 3 (Speed-down)
7. Hand-Wheel Port.
8. Output
9. Cable Connector

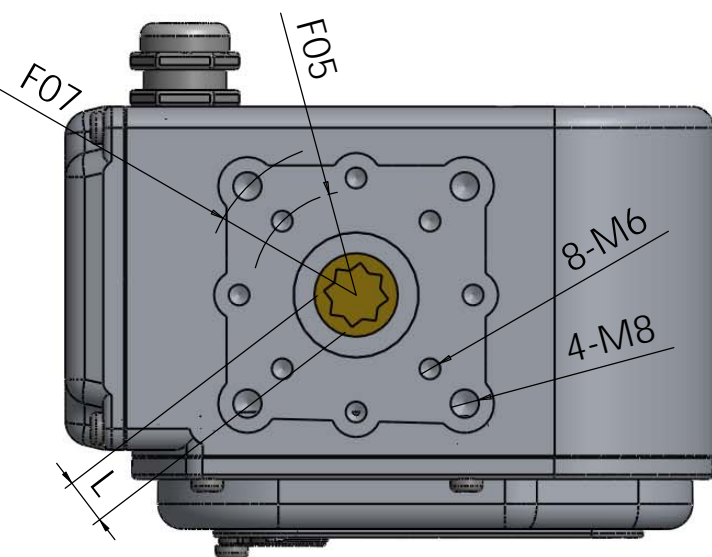
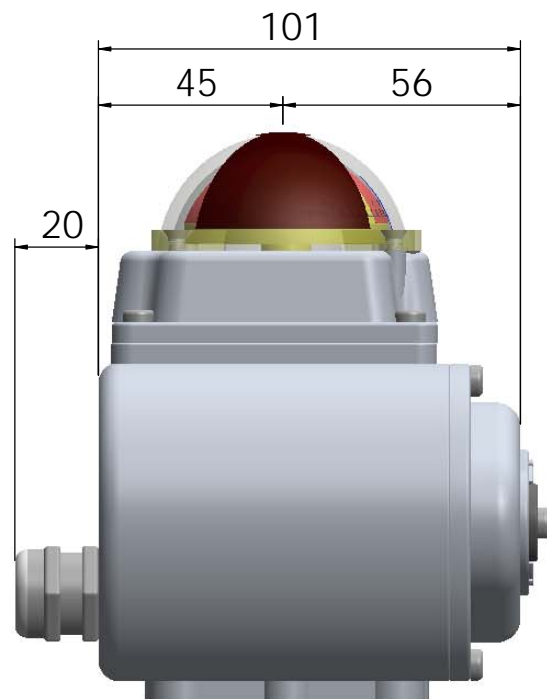
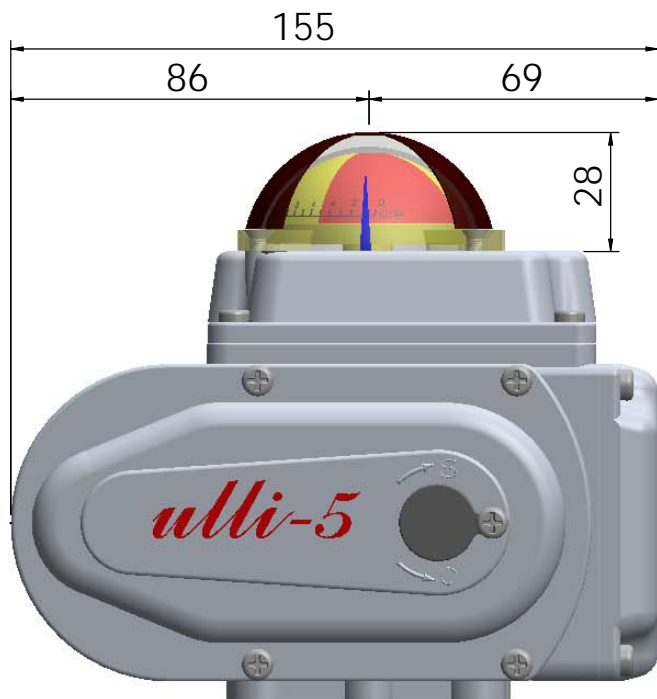


ulli-2 outer view diagram (female type)

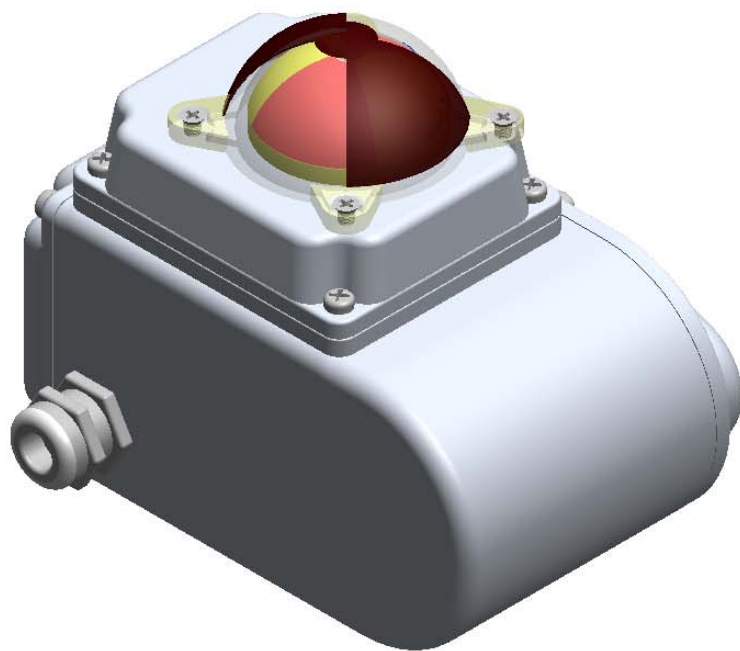


SQUARE 9*9 OR 11*11, DEPTH 15mm.

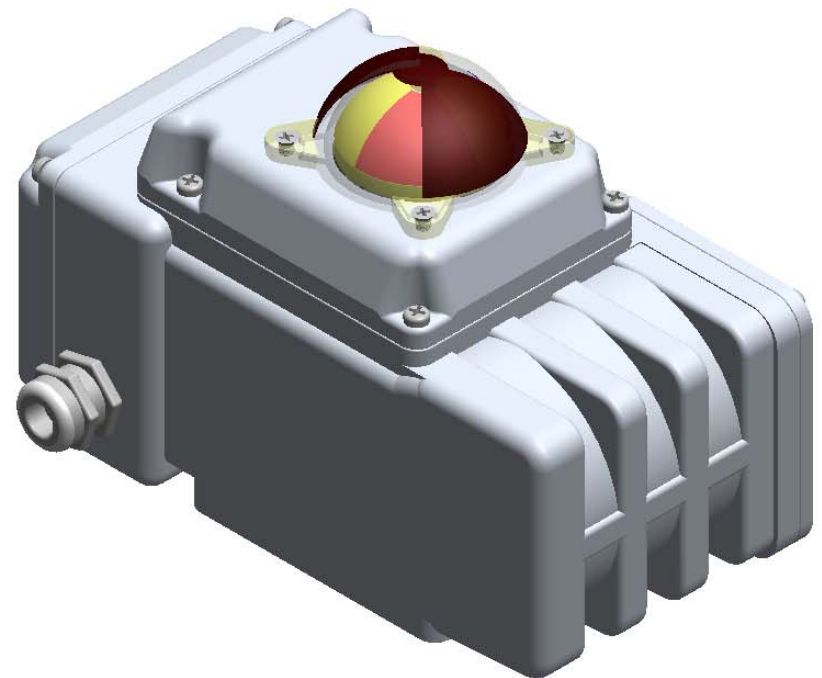
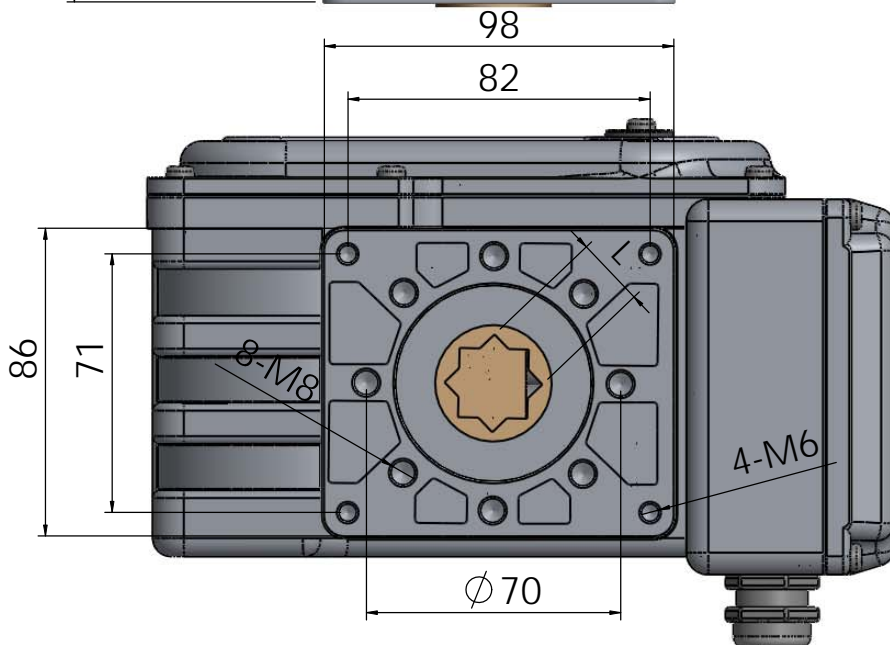
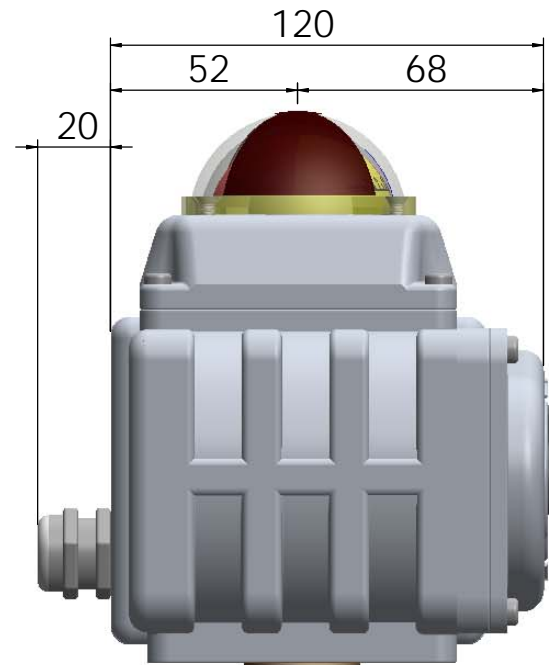
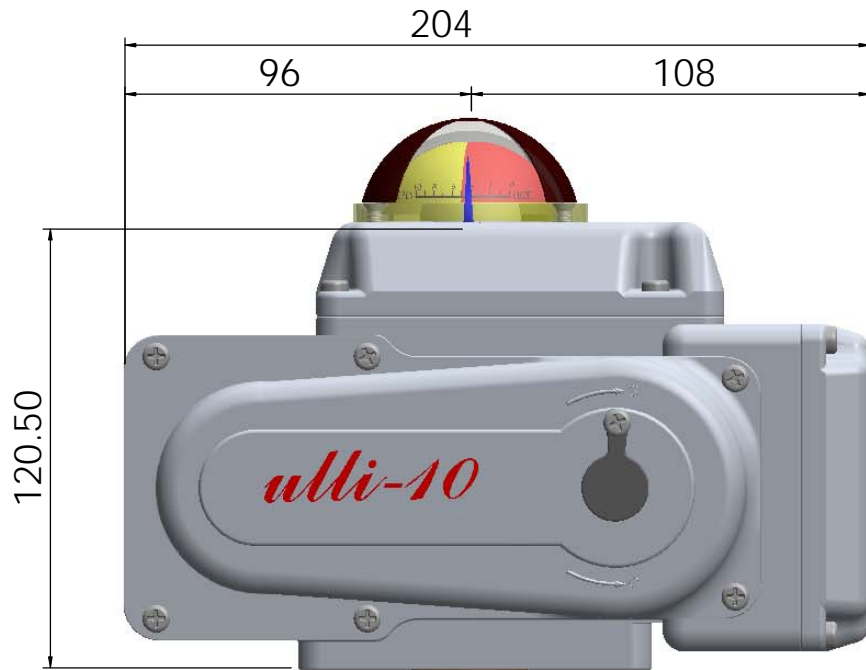
ulli-5 outer view diagram (female type)



SQUARE 9*9 , 11*11 ,

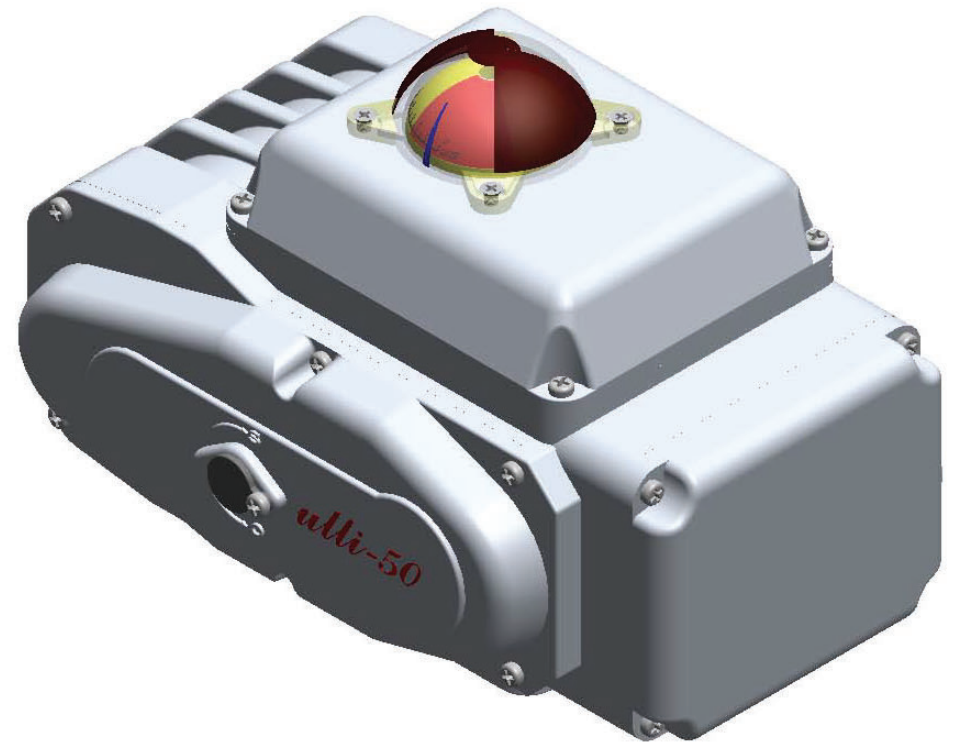
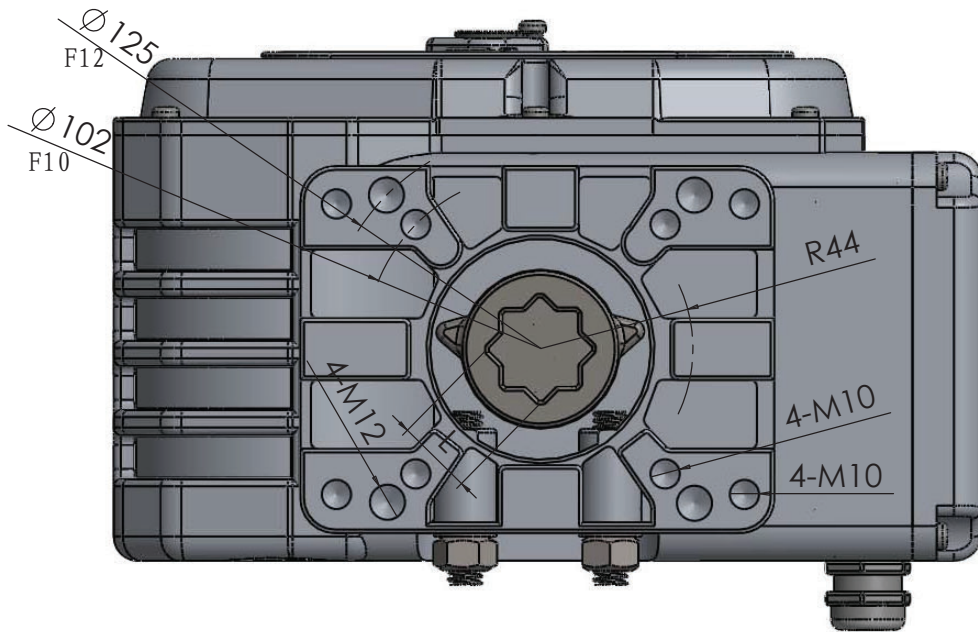
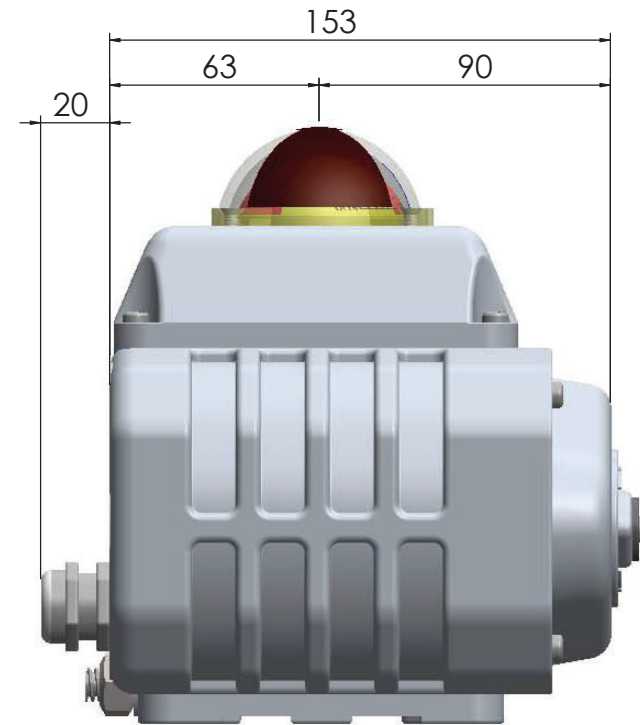
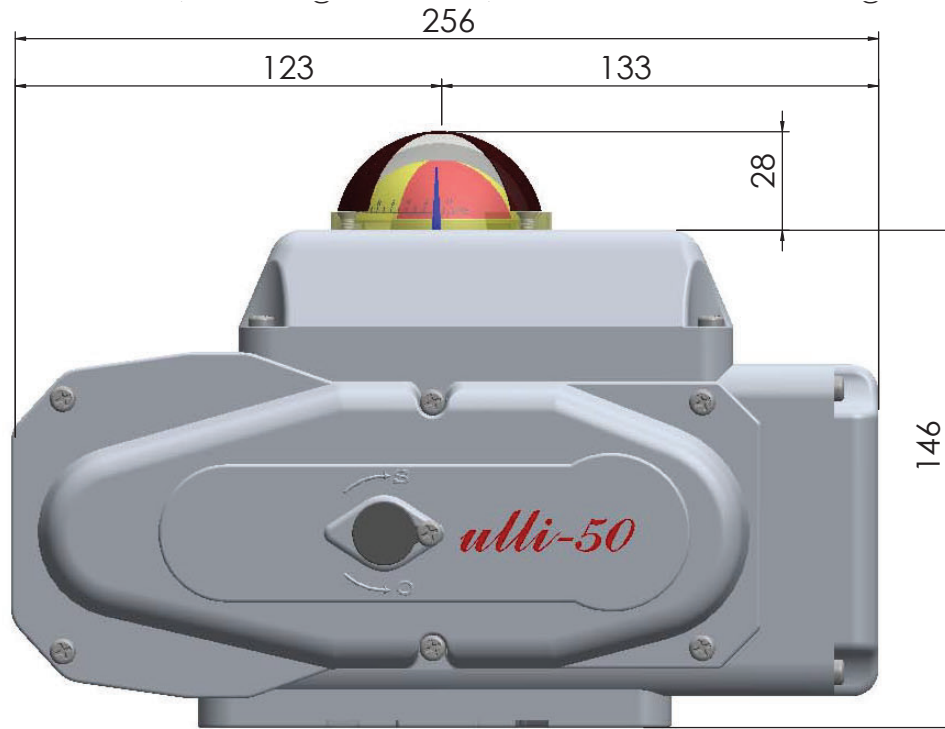


ulli-10/16/20 digicon-10/16/20 outer view diagram (female type)



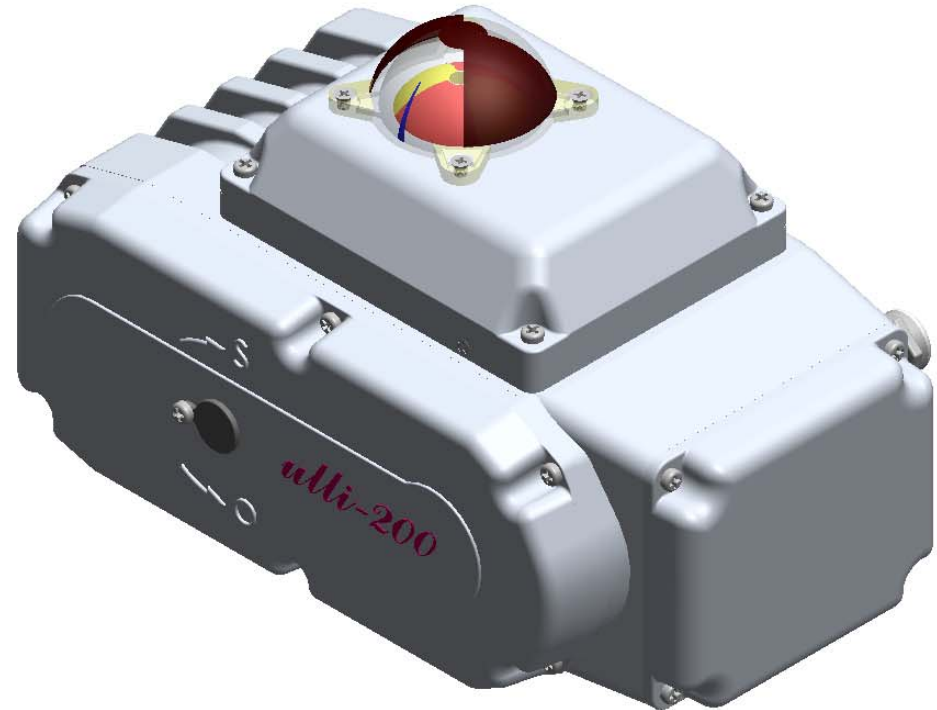
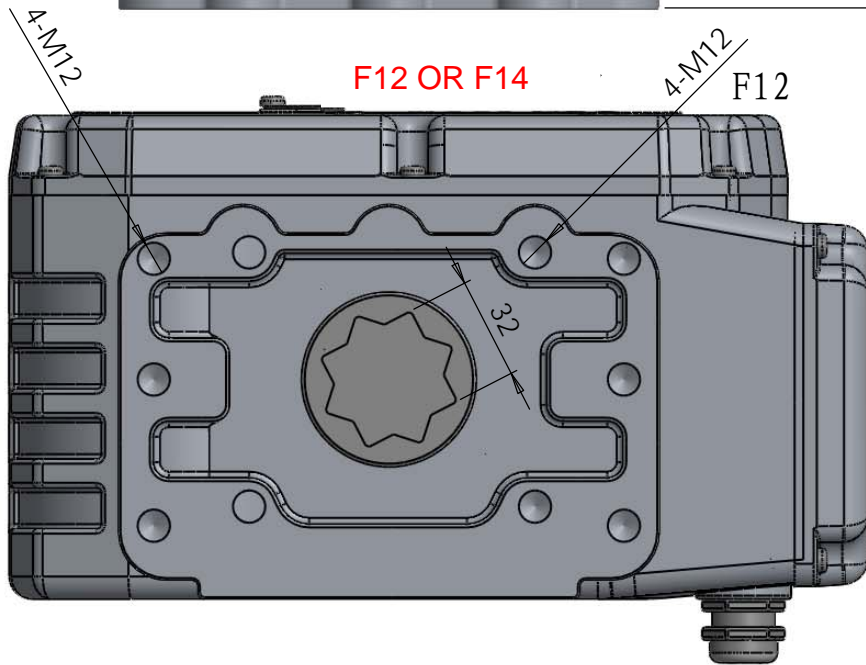
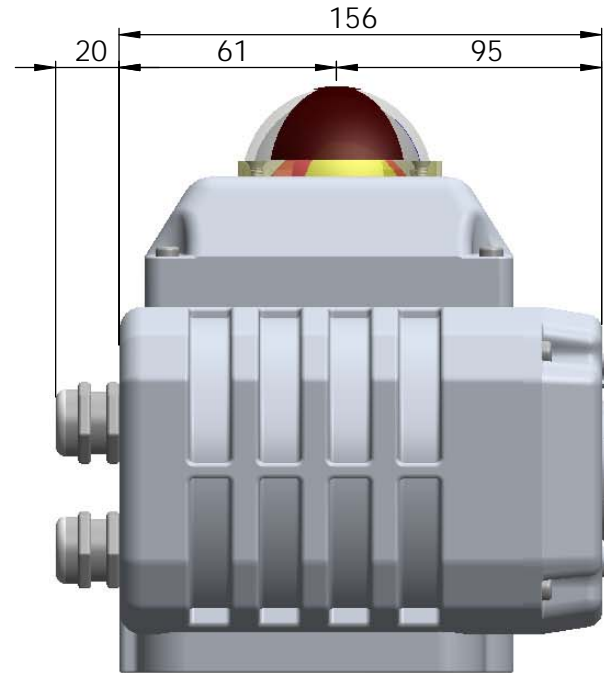
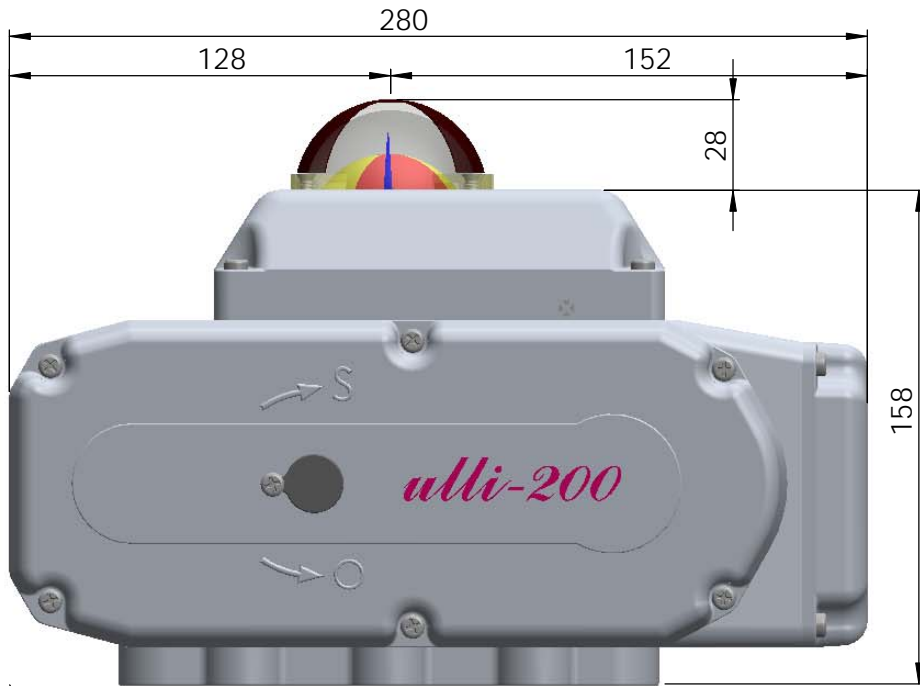
SQUARE 11*11 , 14*14 , 17*17, DEPTH 32mm

ulli-25/50/60 digicon-25/50/60 outer view digram (female type)



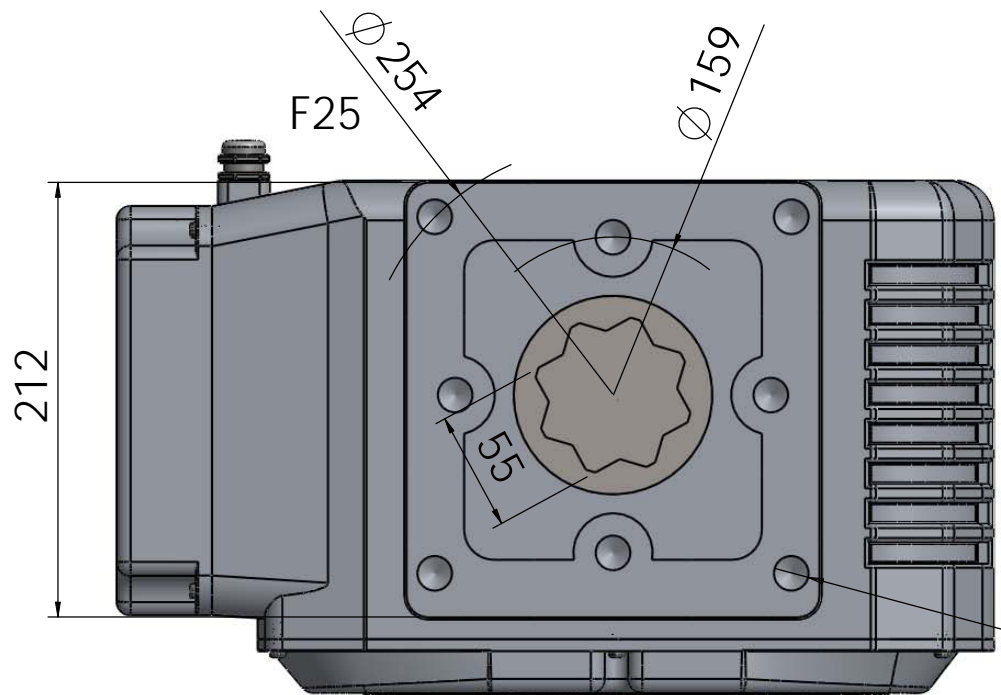
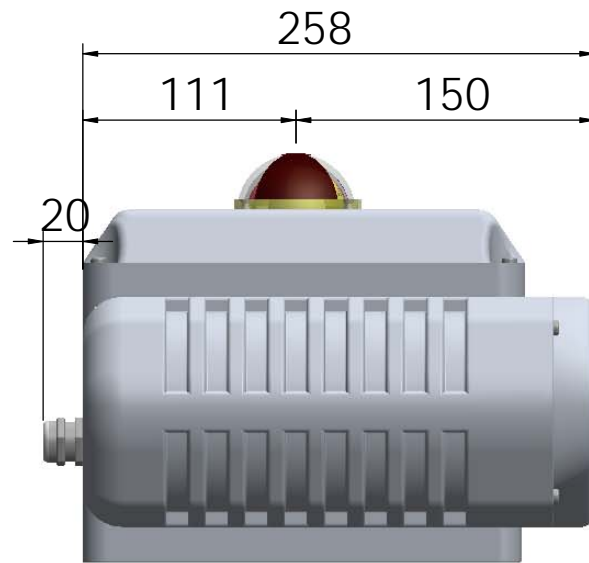
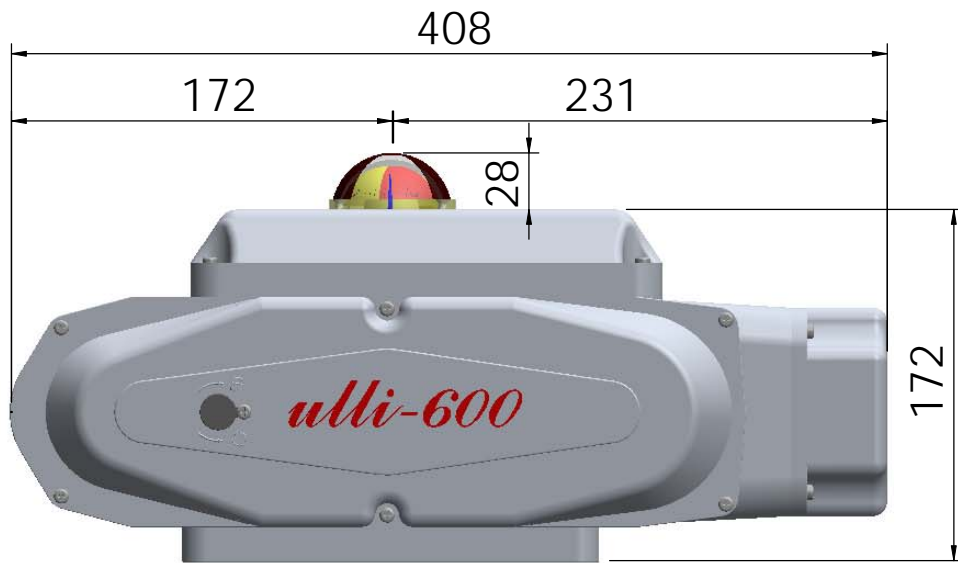
SQUARE 17*17 , 22*22 , 27*27, DEPTH 45mm

ulli-100/200 digicon-100/200 outer view diagram(female type)

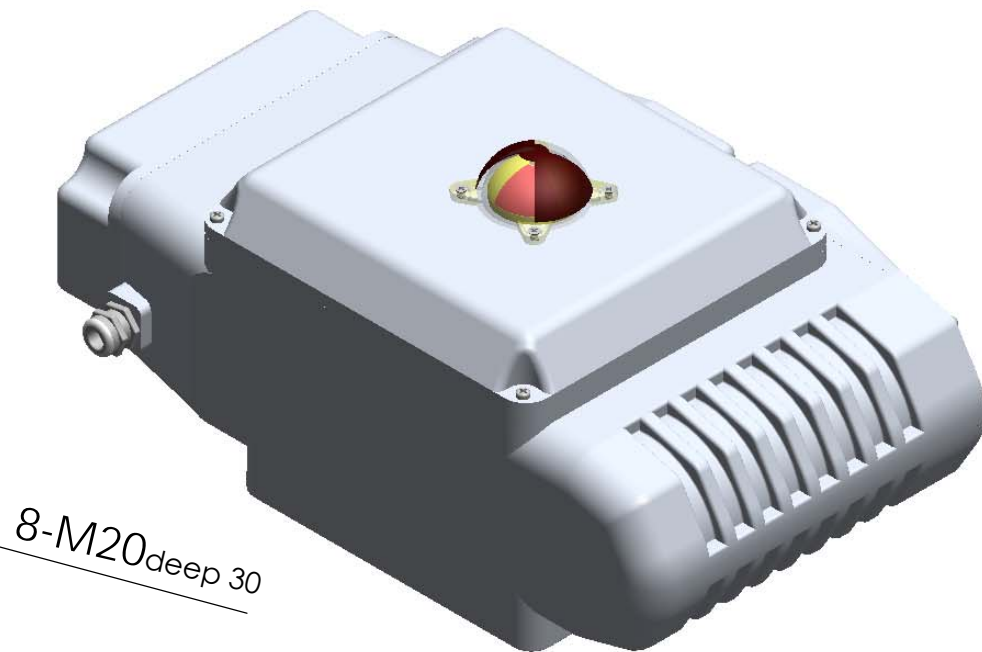


SQUARE 32*32 OR 36*36, DEPTH 50mm.

ulli-400/600 digicon-400/600 outer view diagram (female type)



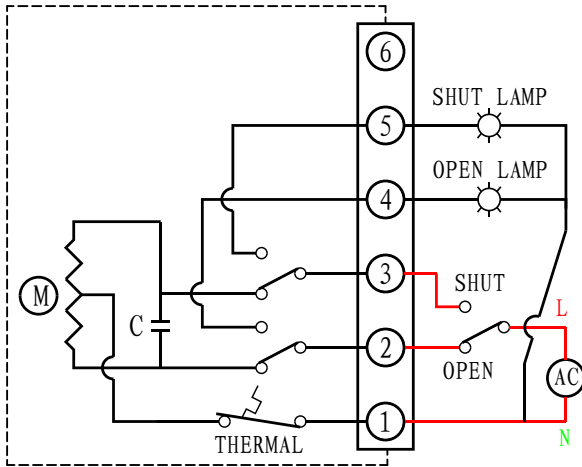
SQUARE 55*55, DEPTH 55mm



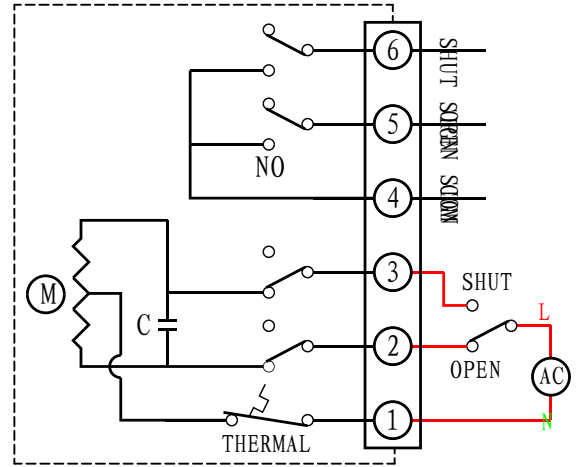
2

wiring drawing 电路图

KLINGER DANMARK a/s, Nyager 12,
DK 2605 Brøndby. Tel.: +45 43646611
www.klinger.dk, Mail: info@klinger.dk

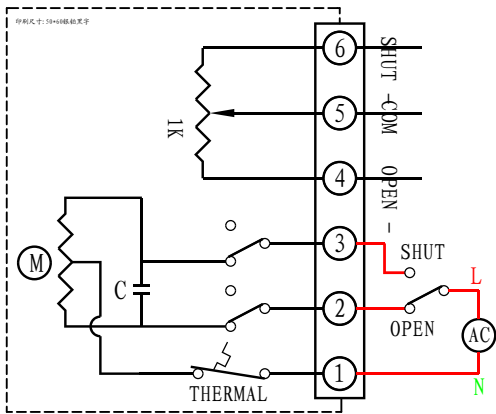


ulli-xx connection (std)

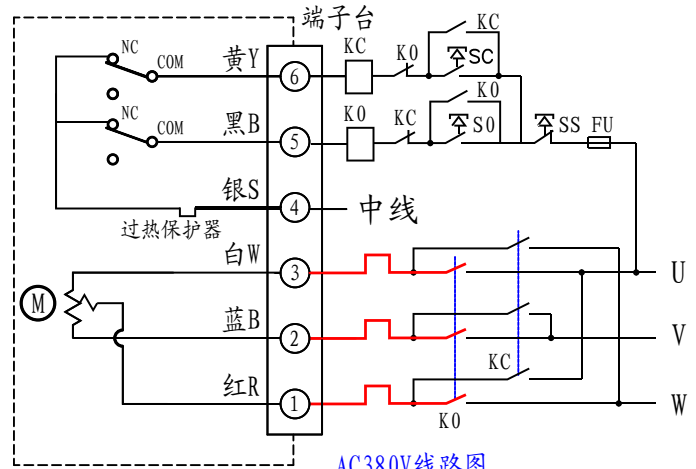


ulli-xx S connection

欲得最新资讯, 请访问实名"意控科技", 或 www.ico.cc



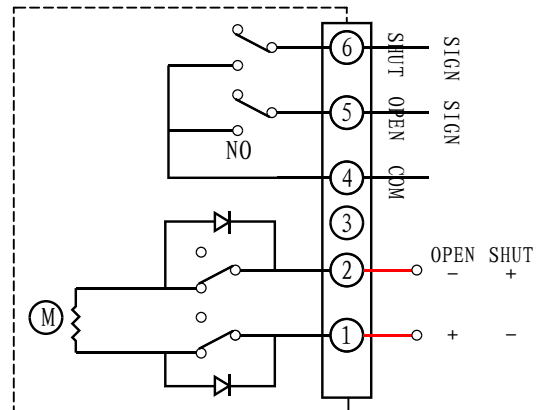
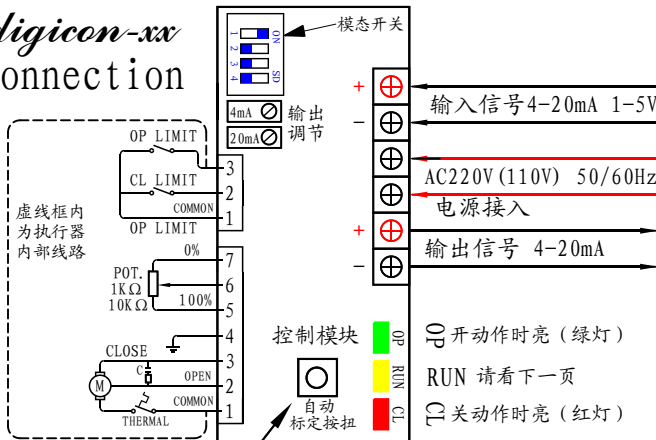
ulli-xx R connection



AC380V线路图

您也访问中文域名: 阀.cn 执行器.com 电动阀.com

digicon-xx connection



DC power connection

3

Auto Setting Control Pack

(FACP-11)

1. Instruction

The FACP-11 Auto Setting Control Pack is capable of controlling the actuator's open/close degree over a resolution of 200:1 by a control signal of 4-20mA dc or 2-10vdc.

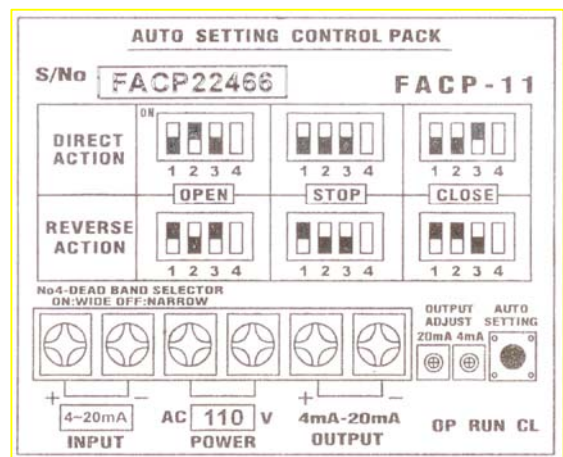
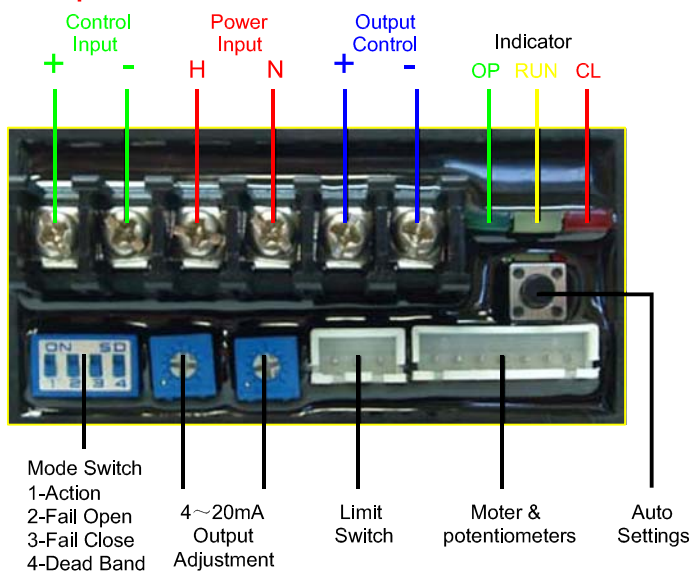
2. Features

- Needless adjustment - full automatic setting
- High rangeability of control - over 200:1 resolution
- Additional function
 1. Fail mode (upon control signal loss)
 - Open - fail to open
 - Stop - fail to stop
 - Close -fail to close
 2. Self checking function
 - checking for limit switch
 - checking for pot.
 - checking for motor
 3. electronic brake control
 4. feedback output : 4~20mA±1%DC(RL:250ohm)
 5. small & lightweight

3. Electrical Specifications

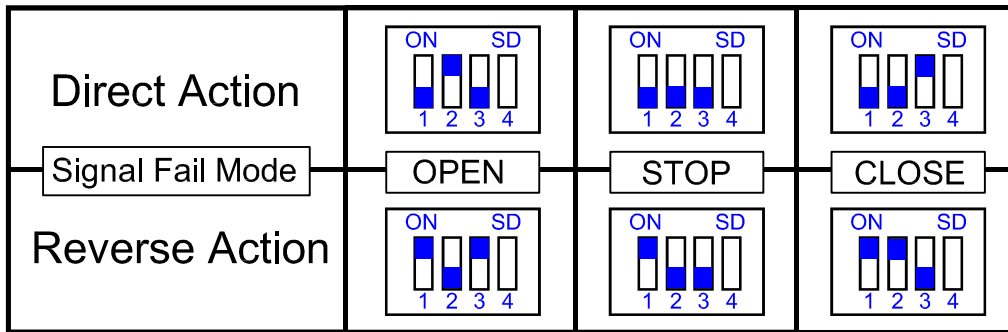
- Power : 110vac or 220vac 50/60Hz
- Control Signal Input : 4~20mA dc or 2~10vdc
- Output Signal : 4~20mA±1%DC(RL:250ohm)
- Calibration : Auto setting
- Resolution : over 200:1
- Power Consumption : Max 150W @110vac or 200W @220vac

4. Operation



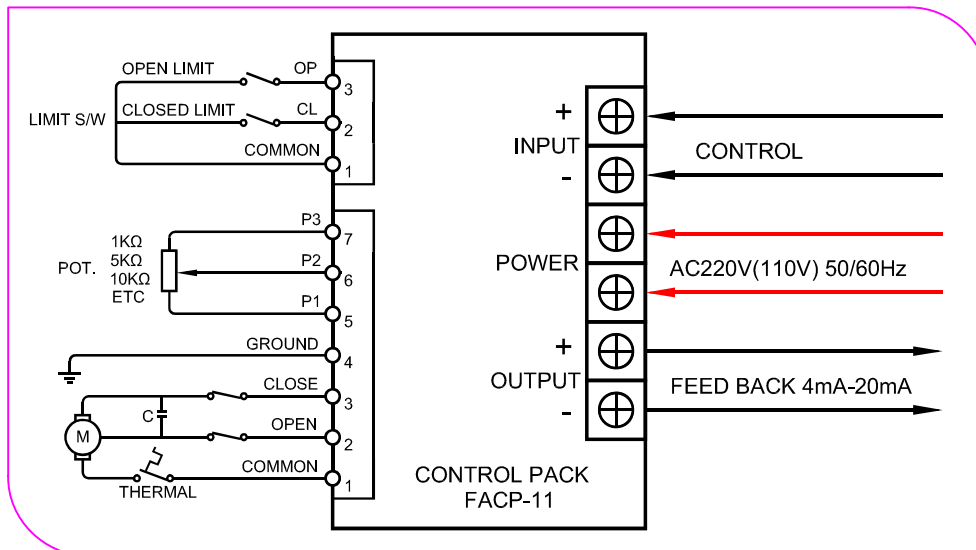
- Power : 110vac/60hz or 220vac/60hz
 1. Control Input : 4~20mA dc or 2~10vdc
 2. Power Input : 110vac or 220vac 50/60Hz
 3. Control Input : 4~20mA±1%DC(RL:250ohm)
 4. Indicator
 - Green Lamp On - Actuator is Opening
 - Yellow Lamp On - Actuator is Operating
 - Yellow Lamp Flashing Slowly - fully open/closed
 - Yellow Lamp Flashing Quickly - Fail check limit switch,potentiometer,etc.
 - Red Lamp On - Actuator is Closing

5. Auto Setting Switch : Push & hold for over 3 seconds to cycle auto setting. Actuator will find both limit switches and cycle twice.
6. Mode Switch Operation & Setting



7. Output Adjust VR : Sensitive adjustment of "feedback output "
8. Limit switch : input terminal for Digital Limit is Active "A"
 - Limit switch common ● Close limit switch ● Open limit switch
9. Motor & Potentiometer
 - Motor common ● Open motor ● Close motor ● Ground
 - Potentiometer P1 ● Potentiometer P2 ● Potentiometer P3

5. Wiring diagram



6 Auto setting & Operating Instructions

- Refer the attached lable on pack and connect wires for Power, Input, Output and Turn On Power.
- Push the Auto Setting Switch and hold for 3 seconds.The run(yellow) lamp will go on solid, and the actuator will cycle open(green) & closed(red) 2 times.
- If there are any errors ,the run(yellow) will flash quickly and for protection of the product and the system is halted. Before clearing the cause of failure, the unit can not be operated . Check for limit switch , potentiometer , motor and other parts as needed.
- After finishing ,input the signal (0%,25%,50%,75%,100%) to ensure the open degree is available . Connect indicator (current meter) to Output Terminal to ensure the output current. If the open degree is not satisfied.check the position of Limit Cam and the position degree of potentiometer and retry to set.

4

Overtorque Protection Module

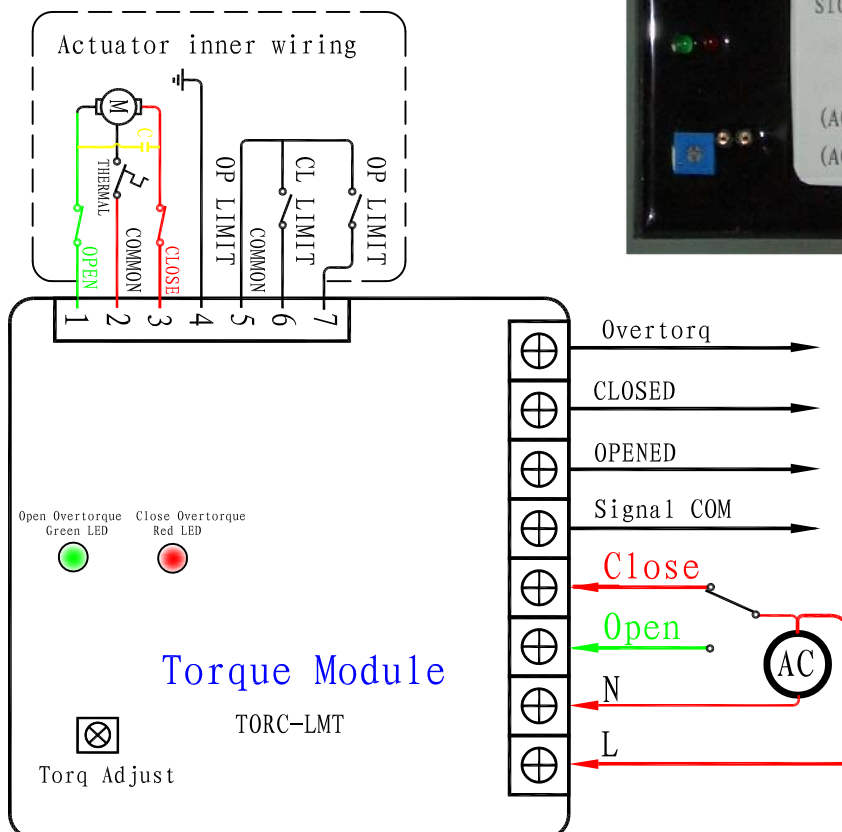
1, Introduction

Valve actuator Overtorque Protection Module can adjust the biggest torque of the actuator. When the torque reaches the preset biggest, the module will cut off the motor power to protect the actuator and the valve.

2, Features

- 1), Once set, the torque limit is accurate and stable
- 2), Once the valve close direction is protected, this direction will keep cutoff until the open direction is powered on. And vice versa.
- 3), With this module, you can avoid overtorque and improve greatly the reliability and life of the actuator and valve. Moreover, it can be used in hard sealing valves for stroke control.

3, Wiring



5

ACTUATOR with capacitor backup

1, synopsis

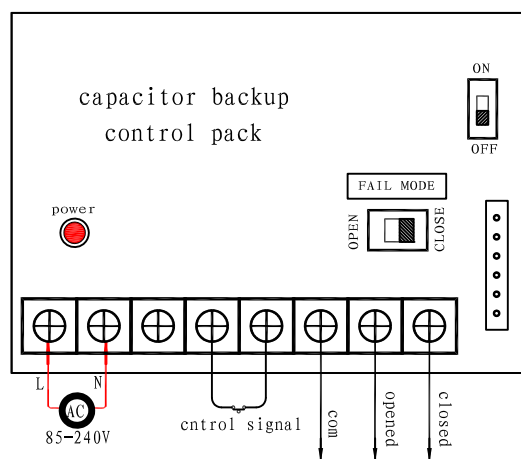
actuator with capacitor backup, can open or close valve when sudden power off.
when power is on, you can control valve with control signal,
when power is off, the control pack will drive the motor open or close,
the direction is decided by your setting (FAIL MODE switch)
the function can advance the security of your system.

2, excellence

- 1) peacetime, can be used as on-off actuator.
- 2) emergency, according to setting, open or close your valve.
to safeguard your equipment and life (ex. avoid extend of smoke and fire)
- 3), compare with spring type, torque is steady, smaller, cheaper.
- 4), compare with battery type, no lapse, high reliability!
- 5), multi-power: 85-240V AC, easy for user



3, interface



6

CERTIFICATE OF LVD COMPLIANCE

Certificate No: LVD/6042/02/0084

Type No/Serial No: Ulli5, Ulli10, Ulli25, Ulli50, Ulli100, Ulli200

Name of Product: Valve Actuators

Applicant: Shenzhen Huachaoxing Automatic Equipment Co., Ltd
No.38 West Guanlong, Xili,
Shenzhen, 518055, P.R.China

Order Number: LVD/6042/2A/0205
(02.07.0167S)

Date of Certificate Issue: 14.10.2002

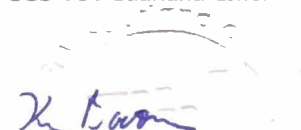
Test Required: EN 60730-2-14:1997 +A1:2001
EN 60730-1:1995 +A11: 1996 +A12: 1996 +A1:1997
+A13:1998 +A14:1998 +A15: 1998 +A2:1998 +A16:1999

Conclusion

The equipment complies with the principal protection requirement of the LVD Directive 73/23/EEC amended by directives 93/68/EEC. The apparatus meets the requirements of the above standards.

*This certification is only valid for the equipment and configuration described, and in conjunction with the test data detailed above. It contains the result of the single examination of the subject being in hand and does not represent any universally valid decision concerning the quality of any other subject of the current production.

Authorized Signatory:
SGS-TÜV Saarland GmbH



Knut Boettcher

Copyright of the certificate is owned by SGS-TÜV Saarland GmbH and may not be reproduced other than in full and with the prior approval of the Head of Department of SGS-TÜV Saarland GmbH.

SGS

SGS-CSTC Standards
Technical Services Ltd



1/F., Building No. 1 Building,
Agriculture Machinery Materials Co.,
Wushan Road, Shipai, Tianhe District,
Guangzhou, China

Telephone: +86 (0) 20 3848 1001
Fax: +86 (0) 20 3848 1006

cn_guangzhou_emc_section@sgs.com

Report No.: 02.07.0763E-1

Page: 1 of 14

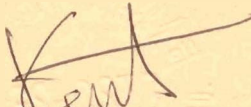
EMC TEST REPORT

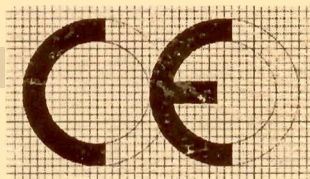
Application No. : 02.07.0763E
Applicant : SHENZHEN HUACHAOXING AUTOMATIC EQUIPMENT CO., LTD.
Equipment Under Test (EUT):
Name : Valve Actuators
Model No. : Ulli5, Ulli10, Ulli25, Ulli50, Ulli100, Ulli200 ♣
Serial No. : Not supplied by client.
♣ : Please refer to section 2 of this report which indicates which model was actually tested and which are electric identical.
Standards : EN50081-1 (1992)
EN50082-1 (1997)
Date of Receipt : 04 July 2002
Date of Test : 08 July 2002
Date of Issue : 23 September 2002

Test Result :	PASS *
----------------------	---------------

* In the configuration tested, the EUT detailed in this report complied with the standards specified above. Please refer to section 2 of this report for further details.

The CE mark as shown below can be used, under the responsibility of the manufacturer, after completion of an EC Declaration of Conformity and compliance with all relevant EC Directives.


Kent Hsu
Laboratory Manager
SGS-CSTC Co., Ltd.



This report refers to the General Conditions for Inspection and Testing Services, printed overleaf.

This report details the results of the testing carried out on one sample. The results contained in this test report do not relate to other samples of the same product and does not permit the use of the SGS PRODUCT CERTIFICATION MARK. The manufacturer should ensure that all products in series production are in conformity with the product sample detailed in this report.

This report may only be reproduced and distributed in full. If the product in this report is used in any configuration other than that detailed in the report, the manufacturer must ensure the new system complies with all relevant standards. Any mention of SGS International Electrical Approvals or testing done by SGS International Electrical Approvals in connection with, distribution or use of the product described in this report must be approved by SGS International Electrical Approvals in writing.



SGS-CSTC Standards
Technical Services Co., Ltd.



I/F., Building No. 1, Agriculture
Machinery Materials Co.
Warehouse, Wushan Road,
Shipai, Tianhe District,
Guangzhou, China
Telephone: +86 (0) 20 3848 1001
Fax: +86 (0) 20 3848 1006

cn_guangzhou_emc_section@sgs.com

CERTIFICATE OF EMC COMPLIANCE

Certificate No.	02.07.0763EC	Date of Issue: 10 October 2002
Product Description:	Valve Actuators	
Model No:	Ulli5, Ulli10, Ulli25, Ulli50, Ulli100, Ulli200	
Applicant:	SHENZHEN HUACHAOXING AUTOMATIC EQUIPMENT CO., LTD.	
Address of Applicant:	West Guanlong No.38, Xili Town, Shenzhen, Guangdong, China	
SGS Approved Laboratory:	SGS-CSTC Ltd. and No. L32	
Test Report Number(s):	02.07.0763E-1, issued on 23 September 2002	
Date of Receipt:	04 July 2002	
Date of Test:	08 July 2002	
Test Required:	EN50081-1 (1992) & EN50082-1 (1997)	

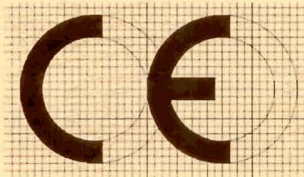
Conclusion

Based on a review of the test report detailed above, this apparatus meets the requirements of the above standards and hence fulfills the requirements of Directive 89/336/EEC as amended by Directives 92/31/EEC and 93/68/EEC.

This certificate is only valid for the equipment and configuration described, in conjunction with the test data detailed above. It does not permit the use of the SGS PRODUCT CERTIFICATION MARK.

The CE mark as shown below can be used, under the responsibility of the manufacturer, after completion of an EC Declaration of Conformity and compliance with all relevant EC Directives.

Kent Hsu
Laboratory Manager
SGS-CSTC Co. Ltd.



Copyright of this certificate is owned by SGS International Electrical Approvals and may not be reproduced other than in full and with the prior approval of the General Manager. This certificate refers to the General Conditions for Inspection and Testing Services, printed overleaf.

Compliance Report

Report No: 02.07.0167S

Date: September 17, 2002

Applicant : Shenzhen Huachaoxing Automatic Equipment Co., Ltd
No.38 West Guanlong, Xili, Shenzhen, 518055, P.R.China

Attn. to: Mr. Li Shi Wu

Manufacturing location: As above

Test object / Model : Valve Actuators
Ulli5, Ulli10, Ulli25, Ulli50, Ulli100, Ulli200

Test specifications / Test standard : EN 60730-2-14:1997 +A1: 2001
(See also EN 60730-1: 1995 +A11: 1996 +A12: 1996: +A1: 1997 +A13: 1998 +A14: 1998 +A15: 1998 +A2: 1998 +A16: 1999)

Purpose of examination : Test according to the test specification.
Inspection of the compliance with protective objectives of the following EC Directives:
- 73/23/EEC amended by 93/68/EEC.

Test result : In the opinion of SGS – CSTC the presented appliance was found to be in compliance with the test specification and standards.

Remark : The documents will be send to TUV Saarland for review and final approval.
The attestation of conformity may be awarded.


Knut Boettcher
Manager
Safety Laboratory
Roger Zhu
Test Engineer

This report shall not be reproduced except in full without the written approval of the testing laboratory. Any use for advertising purposes must be granted in writing. This report is the result of a single examination of the object in question and is not generally applicable evaluation of the quality of other products in regular production.

Compliance Report

Report No: 02.07.0167S

Date: September 17, 2002

1. Function / Description :

Valve actuators for household or similar use. All the models have the same construction and the difference among the models is the rated mechanical loads.

2. Ratings :

Model :	Ulli5, Ulli10, Ulli25, Ulli50, Ulli100, Ulli200
Rated Voltage :	110 V ~
Rated Frequency :	60 Hz
Rated Power :	10W, 23W, 45W, 100W, 100W, 100W
Rated Current :	--
Rated max. load	50Nm, 100Nm, 250Nm, 500Nm, 1000Nm, 2000Nm
Protection Class :	Class I
Protection Against Moisture	IP 54
Construction :	Fixed
Supply connection :	Terminal block
Operation mode :	Intermittent
Weight :	20s, 30s, 30s, 30s, 50s, 100s 2kg, 4.3kg, 7.8kg, 8kg, 12kg, 12kg

3. Test :

The test was done in the Electrical Safety Laboratory of SGS-CSCT in Guangzhou.
7 samples have been submitted for test on 2002-07-3 and 4 samples have been submitted for test on 2002-07-30.
Tests were performed from 2002-07-15 to 2002-09-12.

4. Test Result :

In the opinion of SGS – CSTC the presented appliance was found to **be in compliance with the test specification and standards.**

--- End of Report ---

4 General Information

4.1 Client Information

Applicant: SHENZHEN HUACHAOXING AUTOMATIC EQUIPMENT CO., LTD.
Address of Applicant: West Guanlong No.38, Xili Town, Shenzhen, Guangdong, China

4.2 General Description of E.U.T.

Name of E.U.T.: Valve Actuators
Model No.: Ulli5, Ulli10, Ulli25, Ulli50, Ulli100, Ulli200 ♣
Serial No.: Not supplied by client
♣ Please refer to section 2 of this report for further details.

4.3 Details of E.U.T.

Power Supply: 100V-110V AC / 60Hz
Power Cord: 0.8m X 3 wires AC cables (Provided by SGS EMC Laboratory)

4.4 Description of Support Units

The EUT had been tested as an independent unit.

4.5 Standards Applicable for Testing

The customer requested EMC tests for Valve Actuators. The standards used were EN50081-1 & EN50082-1.

Table 1 : Tests Carried Out Under EN50081-1 : 1992

Standard		Status
EN55022:1998	Radiated Emissions	√
EN55022:1998	Conducted Emissions on AC	√
EN60555-2:1987	Harmonic Emissions on AC	×
EN60555-3:1987 + A1:1991	Flicker Emissions on AC	×
EN55014-1:1993 + A1:1997+A2:1999	Discontinuous Emissions on AC	×

× Indicates that the test is not applicable.
√ Indicates that the test is applicable.

Table 2 : Tests Carried Out Under EN50082-1 : 1997

Standard		Status
EN61000-4-2:1995 + A1:1999	Electro-static discharge	×
EN61000-4-3:1996	Radio frequency EM fields (80MHz to 1GHz)	×
ENV50204:1996	Radio frequency EM field, keyed carrier (900MHz)	×
EN61000-4-4:1995	Fast transients	×
EN61000-4-5:1995 +A1:1996	Surges	×
EN61000-4-6:1996	Radio frequency continuous conducted (150kHz to 80MHz)	×
EN61000-4-8:1994	Power-frequency magnetic field (50Hz)	×
EN61000-4-11:1994	Voltage dips & interruptions	×

× Indicates that the test is not applicable.

√ Indicates that the test is applicable.

Note: The EUT contains no electronic component or circuit, hence it can be deemed to be immune from the Electro-Magnetic interference without test.

4.6 Test Location

All tests were performed at:

SGS-CSTC Standards Technical Services Co., Ltd., Guangzhou Safety & EMC Laboratory, 1/F, Building No. 1, Agriculture Machinery Materials Company Warehouse Ltd., Wushan Road Shipai, Tianhe District, Guangzhou, China. P.C. 510630.

Tel: +86 20 3848 1001

Fax: +86 20 3848 1006

4.7 Deviation from Standards

A GTEM was used for the radiated emission measurements which are required by EN50081-1: EN55022.

4.8 Abnormalities from Standard Conditions

None

4.9 Other Information Requested by the Customer

Only model Ulli200 was tested since models Ulli5, Ulli10, Ulli25, Ulli50, Ulli100, Ulli200 were electrically identical with the only difference being the rated power of the motor. Model Ulli200 was selected to be tested since it has the maximum output power. Please refer to the facsimile from Ms. Zhang of SHENZHEN HUACHAOXING AUTOMATIC EQUIPMENT CO., LTD., dated 26 September 2002 for further details.

4.10 Monitoring of EUT for the Immunity Test

Not Applicable.

5 Emission Test Results

5.1 Radiated Emissions, 30MHz to 1GHz

Test Requirement: EN50081-1
Test Method: Based on EN55022
Test Date: 8 July 2002
Frequency Range: 30MHz to 1GHz
Measurement Distance: 10m (GTEM equal)
Class: Class B
Limit: **30.0 dB μ V/m between 30MHz & 230MHz**
37.0 dB μ V/m between 230MHz & 1GHz
Detector: Peak for pre-scan (120kHz resolution bandwidth)
Quasi-Peak if maximised peak within 6dB of limit

5.1.1 Test Instruments

Test Equipment	Manufacturer	Model	Asset No.	Cal. Date
Temp. Humidity/ Barometer	Oregon Scientific	BA-888	EMC021	26-07-2001
Radiated Emissions CNE	LAPLACE	ERS-A	EMC0405	Verify Before Use
Software	Schaffner	CES9985	EMC0409	N/A
Receiver	MEB	SCR3101	EMC0403	16-06-2002
Spectrum Analyzer	ADVANTEST	R3261C+99	EMC0402	26-07-2001
Cable 4 m	W.H. Westlake	M17/75	EMC0406	06-06-2002
Cable 1 m	W.H. Westlake	M17/75	EMC0407	06-06-2002
GTEM	LINDGREEN- RAYPROOF	1750	EMC0401	18-07-2001
Pre-amplifier	ADVANTEST	R14601	EMC0404	06-06-2002
RF Switch	RADIALL	UHF (S0239)	EMC0408	06-06-2002

5.1.2 Test Site

SGS-CSTC Standards Technical Services Co., Ltd.
Guangzhou Safety & EMC Laboratory
SGS UK Certificate No.: L32



SGS

VERIFICATION OF LVD COMPLIANCE

No.:	LVD GLESO080801057HS
Applicant:	SHEN ZHEN ICO-TEC CO., LTD No. 18 east Guanlong, Xili town, Shenzhen, 518055, China
Manufacturer:	SHEN ZHEN ICO-TEC CO., LTD No. 18 east Guanlong, Xili town, Shenzhen, 518055, China
Product Description:	Valve Actuator
Model No.:	ull-x (x=5, 10, 25, 50, 100, 200)
Rating:	220-240 V, 50 Hz, 30W(x=5), 80W(x=10), 150W(x=25), 300W(x=50, 100, 200)
Protection against Electric Shock :	Class I
Degree of Protection:	IP65
Additional Information (if any):	Temperature limits:Tmin.-30°C; Tmax 50°C;
Sufficient samples of the product have been	tested and found to be in conformity with
Test Standard:	EN 60730-2-14:1997 + A1:2001 (See also EN 60730-1:2000 + A1:2004 + A11:2002 + A12:2003 + A13:2004 + A14:2005)
as shown in the	
Test Report Number(s):	GLESO080801057HS

This Verification of LVD Compliance has been granted to the applicant based on the results of tests performed by Laboratory of SGS-CSTC Standards Technical Services Co., Ltd. on sample of the above-mentioned product in accordance with the provisions of the relevant specific standards and the Low Voltage Directive 2006/95/EC. The CE marking as shown below can be affixed, under the responsibility of the manufacturer, after completion of an EC Declaration of Conformity and compliance with all relevant EC Directives. The affixing of the CE marking presumes in addition that the conditions in annexes III and IV of the Directive are fulfilled.



February 07, 2007


Scott Jin LiangQi
Technique Manager
SGS-CSTC

Copyright of this verification is owned by SGS-CSTC Standards Technical Services Co., Ltd. and may not be reproduced other than in full and with the prior approval of the General Manager. This verification is subjected to the governance of the General Conditions of Services, printed overleaf.

Member of SGS Group (Société Générale de Surveillance)

This document is issued, on the Client's behalf, by the Company under its General Conditions of Service printed overleaf. The Client's attention is drawn to the limitation of liability, indemnification and jurisdiction issues defined therein.

Any other holder of this document is advised that information contained herein reflects the Company's findings at the time of its intervention only and within the limits of Client's instructions, if any. The Company's sole responsibility is to

SGSPAPER

