

**11 Technical Data**

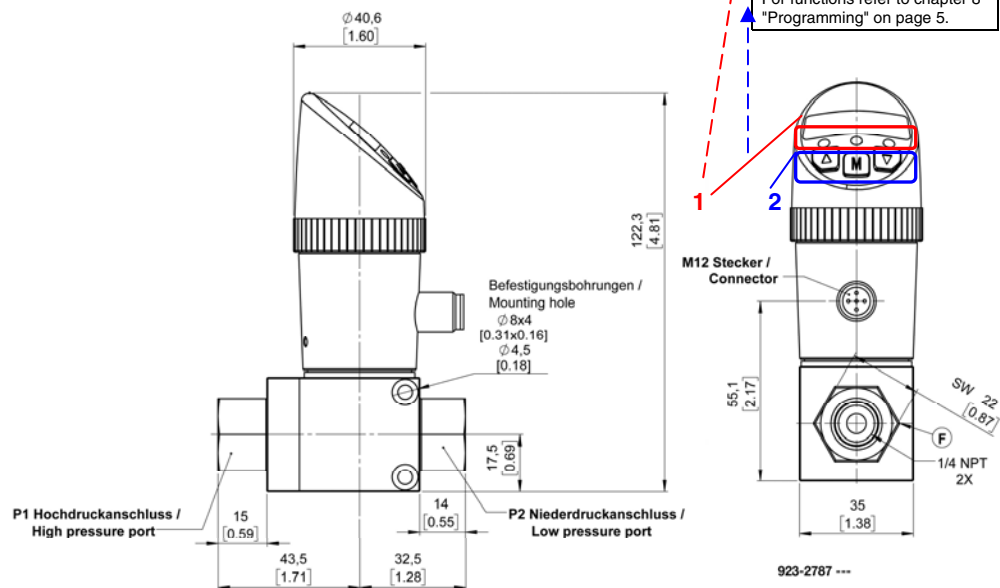
	<b>BDS3000</b>
Measuring element	Piezoresistive sensor
Measuring ranges	0 ... 35 bar differential pressure
Display	4-digit 14-segment LED display, red, digit height 9 mm Displays differential pressure between Port 1 and Port 2
Transistor switching outputs PNP (IO-Link version with PNO, NPN, PP)	1 or 2 x NO/NC function (programmable), adjustable switching time delay 0 ... 50 s
Operating temperature range	-10 ... +70 °C / +14 ... +158 °F
Media temperature range	-25 ... +100 °C / -13 ... +212 °F
Storage temperature range	-30 ... +80°C / -22 ... + 176 °F
Process connection	G1/4", 1/4" NPT
Protection system <sup>1)</sup> /class	IP65, IP67; / III
Electrical connection	M 12x1, 4/5-pin (depending on output code)
Power supply	15... 32 V DC

For further technical data and options please refer to the data sheets

1) The stated ingress protection only applies when plugged in using mating connectors that have the appropriate ingress protection.

**Operating and display elements/Dimensions**

Dimensions (example) in inches [mm]



**Operating Instructions**  
**Dual Differential Pressure Switch BDS3000**



- 1 Intended Applications .....2
- 2 Safety Instructions .....2
- 3 Standards .....2
- 4 Warranty/Guarantee .....2
- 5 Installation .....2
- 6 Commissioning/Operation .....3
- 7 IO-link version .....3
- 8 Programming .....3
  - 8.1 Parameters .....4
  - 8.2 Menu Structure .....5
- 9 Maintenance/Cleaning .....6
- 10 Decommissioning .....6
- 11 Technical Data .....1

**Barksdale Inc.**  
3211 Fruitland Avenue  
Los Angeles, CA 90058-0843  
U.S.A.  
Phone: (323) 589-6181  
Fax: (323) 589-3463  
e-mail: sales@barksdale.com  
www.barksdale.com

Art. no.: 923-2731  
Index A, 19.May 2020  
Software version: 1.2 or higher

Specifications are subject to changes without notice!

**Barksdale GmbH**  
Dorn-Assenheimer Straße 27  
D-61203 Reichelsheim  
Phone: +49 (6035) 949-0  
Fax: +49 (6035) 949-111 and 949-113  
e-mail: info@barksdale.de  
www.barksdale.de

## 1 Intended Applications

The dual pressure switch monitors system differential pressure and has up to two switching outputs and one analog output.

### DANGER

The switch may only be used in the specified fields of application.  
The temperature ranges must be within the permissible limits. Do not exceed rated pressure and electrical load values.  
Observe also the applicable national and local safety instructions for assembly, commissioning and operation of the switch.  
The switch is not designed to be used as the only safety device in pressurized systems according to "Pressure Equipment Directive 97/23/EC (PED)".

## 2 Safety Instructions

The safety instructions are intended to protect the user from dangerous situations and/or prevent material damage.

In the operating instructions the seriousness of the potential risk is designated by the following signal words:

### DANGER

Refers to imminent danger to users.  
Nonobservance may result in fatal injuries.

### WARNING

Refers to a recognizable danger.  
Nonobservance may result in fatal injuries, and destroy the equipment or plant parts.

### CAUTION

Refers to a danger.  
Nonobservance may result in light injuries and material damage to the switch and/or to the plant.

### IMPORTANT

Refers to important information essential to the user.



### Disposal

The switch must be disposed of correctly in accordance with the national or local regulations for electric/electronic equipment.

The switch must not be disposed of with the household trash!

## 3 Standards

The standards applied during development, manufacture and configuration are listed in the CE conformity and manufacturer's declaration.

## 4 Warranty/Guarantee

Our scope of delivery and services is governed by the legal warranties and warranty periods.

### Terms of guarantee

We guaranty for function and material of the dual pressure switch under normal operating and maintenance conditions in accordance with the statutory provisions.

### Loss of guarantee

#### The agreed guarantee period will expire in case of:

- incorrect use,
- incorrect installation or
- incorrect handling or operation contrary to the provisions of these operating instructions.

No liability is assumed for any damage resulting therefrom, or any consequential damage.

See also Barksdale "Standard Terms and Conditions"

## 5 Installation

### CAUTION

Jolts and heavy vibrations must be avoided during transport. Even if the switch casing remains undamaged, inside parts may be damaged and cause malfunctions.

### The pressure switch may only be installed and electrically connected by instructed staff.

### DANGER

The switch may only be installed in systems where the maximum pressure  $P_{max}$  is not exceeded (see type label).

Only install the switch when deenergized (electrically and hydraulically/pneumatically).

Ensure that the high side of the pressure is installed with respect to the high pressure port. Incorrect installation could result in damage to the sensor, equipment, and potential injury. High pressure on low pressure port will result in damage to the sensor.

Install the pressure switch to each fitting using a wrench 22mm or 7/8.

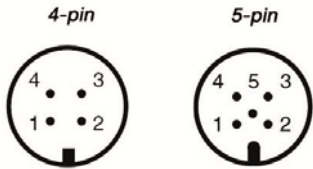
Electrical connection is to be carried out dependent on the type of switch (see name label) according to the chart below. Improper connections may cause malfunctions or incorrect switch outputs and damage to the unit.

**Electrical connection**

Plug M 12x1 4/5-pin	Model with 2 switch point	Model with 1 switch point and 1 analog output	Model with 2 switch point and 1 analog output
	Signal output code 1, 7	Signal output code 2, 3	Signal output code 4, 5, 8
1	+Ub	+Ub	+Ub
2	SP2	Signal	Signal
3	OV	0V	0V
4	SP1 / IO link*	SP1	SP1 / IO link*
5	-	-	SP2

\* only code 7 and 8

**Plug**



**6 Commissioning/Operation**

The pressure switch may only be commissioned and operated by authorized staff.

<b>CAUTION</b>
Do not put the switch into operation when the switch itself or the connection cable is damaged.

<b>WARNING</b>
Be aware of the fact that in case of operation with higher temperatures the casing surface may become very hot!
Apply high pressure first, followed by the low reference pressure.

After having been switched on the switch runs through a self-test. If the software recognizes an error during the self-test or during operation, this is signaled in the display by "Err" and the corresponding message, refer to Error list on page 7. The red LEDs S1 and S2 signal the activity of the two switching points.

Operation is menu-driven via three keys: ▲, ▼ and M

<b>CAUTION</b>
Do not use any pointed, hard objects for making entries. The keys may be damaged by pointed, hard objects.

**7 IO-link version**

**General information**

This device features an IO-link communication interface which requires an IO-link capable module (IO-link master) for operation. The IO-link interface permits direct access to process and diagnostic data and offers the possibility of parametrising the device during operation. Moreover communication via a point-to-point connection using a USB adapter cable is possible.

**Device-specific information**

The IODDs required for the configuration of the IO-link device and detailed information about process structure, diagnostic information and parameter addresses are available at [->IODD finder](#) and on <https://www.barksdale.de/de/download/iolink/>. To find the required information please enter the order code in the search mask. IO-link devices manufactured before 04-01-2019 do not support different polarities of the switching outputs.

**NOTE:** Since process connection, seal and measuring cell have no influence on the IO-link communication you must replace them by "xx". E.g. BDS375VM0010BP = BDS37xxM0010Bx

**TIP:** Use the autocomplete function of the IODD finder by entering the article no. character by character. If your device has been manufactured before 04-01-2019 please take into account that the proposed device ID begins with 0x070.

**8 Programming**

Navigation function	Symbol (keys)
Menu descending	▼
Menu ascending	▲
Horizontal movement in menu, select menu item	M
Parameter change ascending	▲
Parameter change descending	▼
Accept parameter change and return to current menu item	M
Return to measured value display	Press ▲ + ▼ simultaneously

## 8.1 Parameters

Parameter	14-segment display	Description
SP1/SP2 <sup>1</sup>		Hysteresis function: switching point of solid state contact
FH1/FH2 <sup>1</sup>		Window function: Window High solid state contact
rP1/rP2 <sup>1</sup>		Hysteresis function: hysteresis of solid state contact
FL1/FL2 <sup>1</sup>		Window function: Window Low solid state contact
EF		Extended programming functions
rES		Reset parameters to factory settings
dS1/dS2 <sup>1</sup>		Switching time delay – the set contact rating must be permanently exceeded to trigger a switching function
dr1/dr2 <sup>1</sup>		Switching time delay – the contact rating must be permanently lower than the set contact rating to trigger a switching function
Ou1/Ou2 <sup>1</sup>		Switching function of solid state contact Hno = hysteresis function, NO contact HNC = hysteresis function, NC contact FNO = window function, NO contact FNC = window function, NC contact DIA = diagnostic function, NO contact (only Ou2)
Pol 1/ Pol 2 <sup>3</sup>		Select polarity of switching output: PP, NPN, PNP
uni		Select unit: bar, PSI, MPa  If the measuring range is outside the display range, unit selection is impossible. The parameter "uni" is not displayed.
OuA <sup>2</sup>		Analog output I = 4... 20 mA U = 0... 10 V I.INV = 20... 4 mA U.INV = 10... V
ASP <sup>2</sup>		Analog start value

Parameter	14-segment display	Description
AEP <sup>2</sup>		Analog end value
dPA <sup>2</sup>		Damping of analog output
ErS.A <sup>2</sup>		Error signal of analog output Values: < 3.6 or > 22 or Off
Hi		Saved value of highest pressure measured
Lo		Saved value of lowest pressure measured
COF		Offset correction (max. 10 % of measuring range)
ddis		Damping display
Fdis		Rotate display through 180°
udiS		Unit indication
Firm		Firmware version
Lock		Software lock

<sup>1</sup> only models with 2nd switching contact

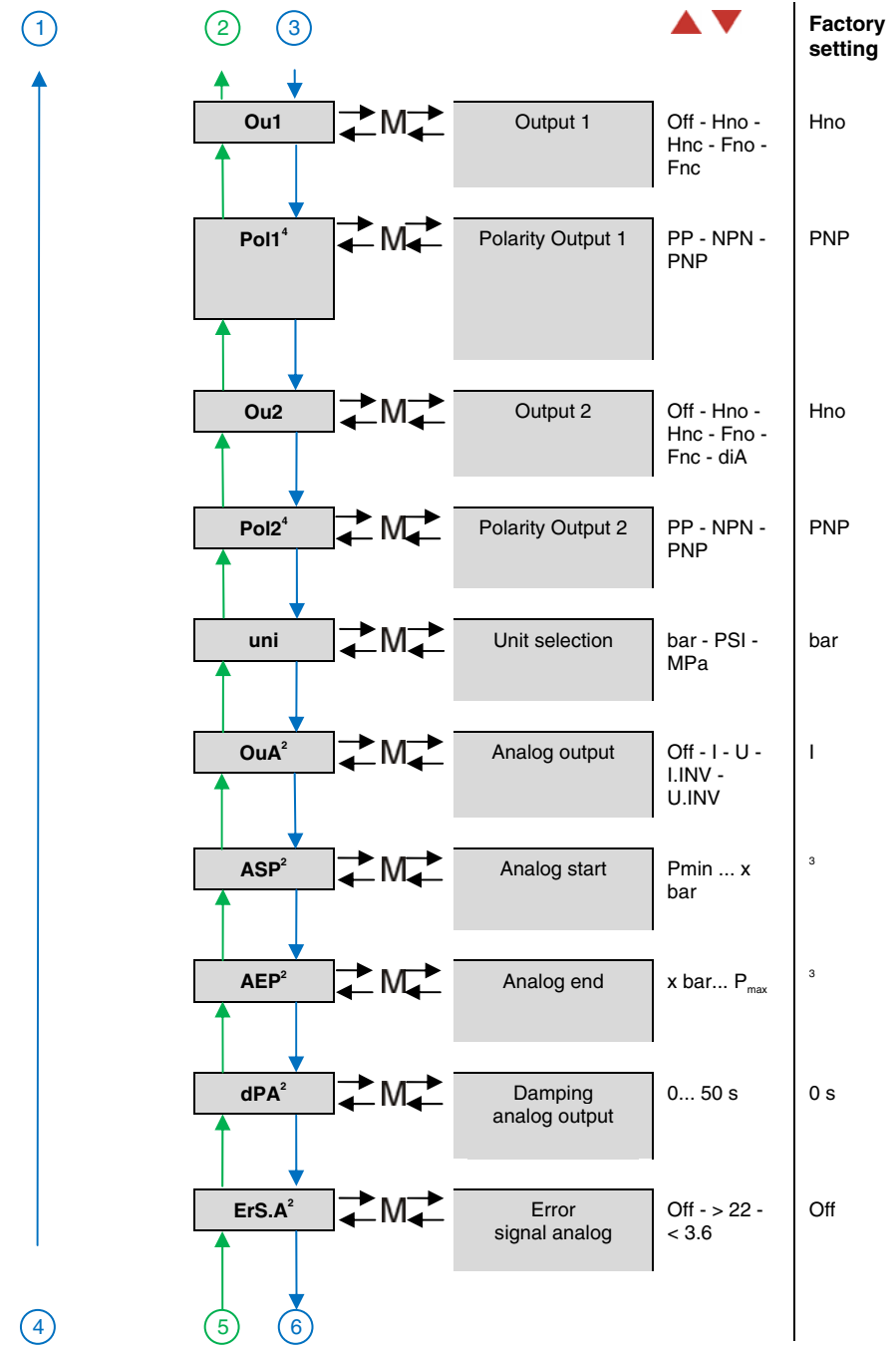
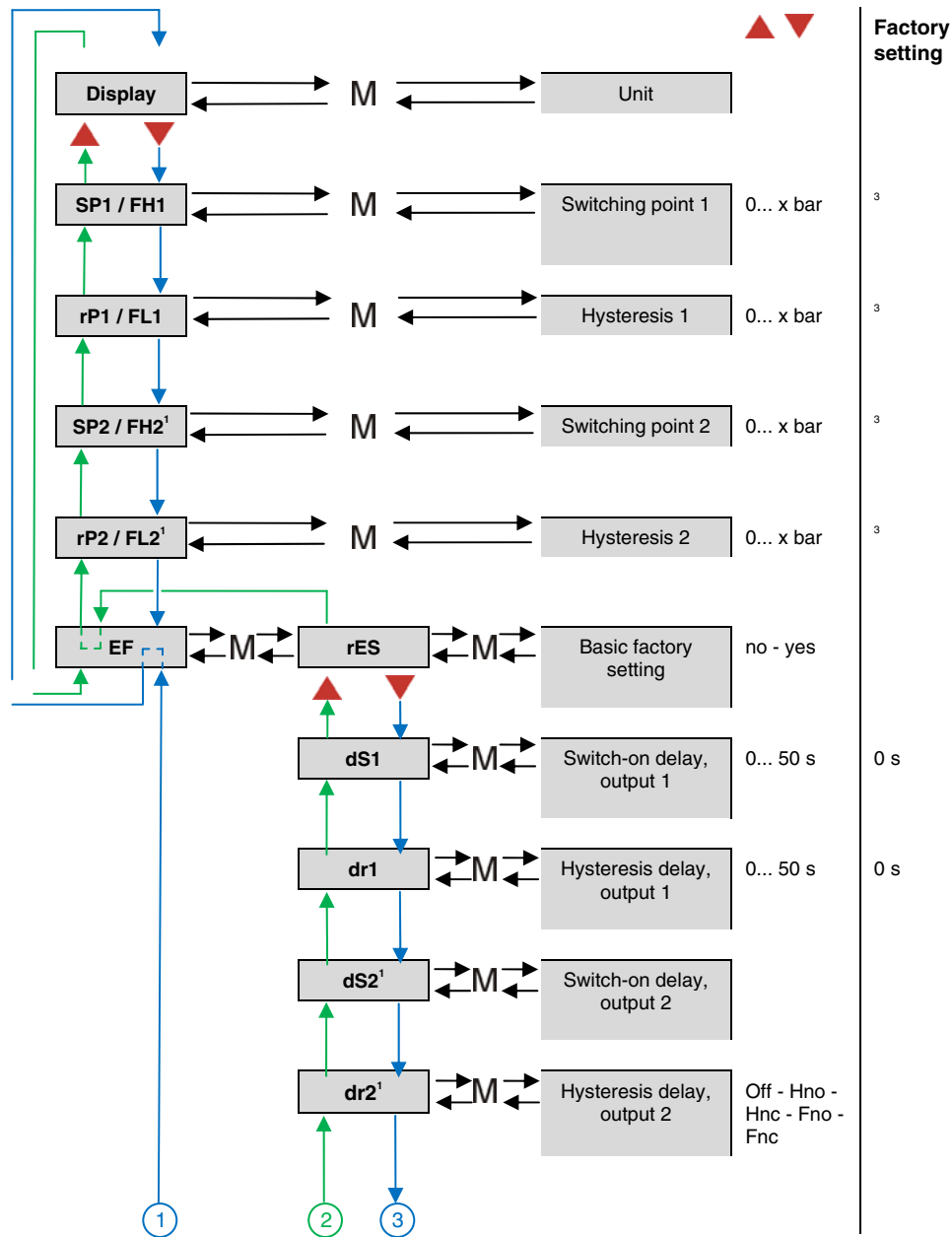
<sup>2</sup> only models with analog output

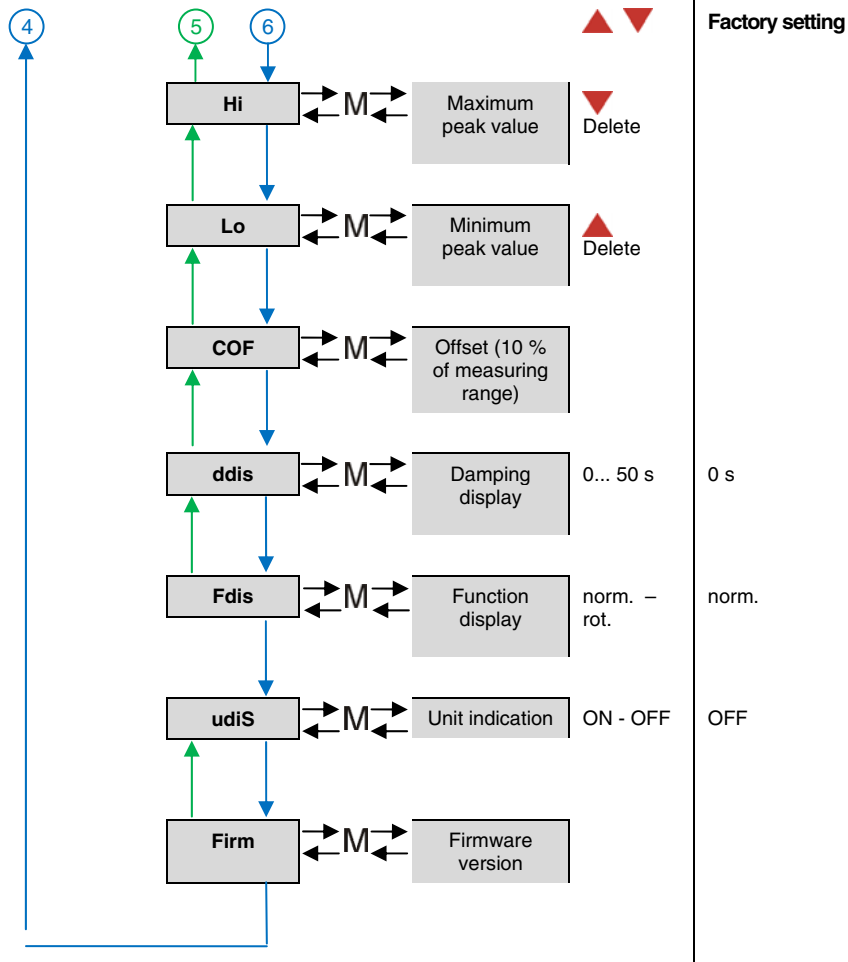
<sup>3</sup> only IO-link devices

### Error list

Parameter	14-segment display	Description
sens		Sensor defect
SC1		Short circuit, solid state contact 1
SC2		Short circuit, solid state contact 2
AOut		Open output, short circuit
OL		Sensor limit positive
UL		Sensor limit negative
KEY		Internal defect

8.2 Menu Structure





<sup>1</sup> only models with 2nd switching contact

<sup>2</sup> only models with analog output  
(ASP = 0.0% - 80.0% range, AEP = 20.0% - 100% range; ASP = AEP - 20.0% range)

<sup>3</sup> setting according to measuring range

<sup>4</sup> only IO-link devices

**Software lock**



**9 Maintenance/Cleaning**

**Maintenance**

The pressure switch requires no maintenance.



**WARNING**

Check the switch for functioning at regular intervals.  
If the switch does not work properly, stop operation immediately.

**Cleaning**



**CAUTION**

The switch may be damaged by the use of unsuitable cleaning agents.  
The following cleaning agents may be used to clean polycarbonates:  
- Mild soap or detergents  
- Isopropyl alcohol  
After cleaning, immediately rinse with water. Do not leave cleaners on surfaces of products.  
Do not clean products at elevated temperatures or under direct sunlight.  
The following cleaning agents are known to affect the integrity of polycarbonate components and should not be used:  
- ZEP Fast 505, Pinesol, Formula 409  
- Brake Cleaner  
- Halogenated solvents (benzene, gasoline, acetone or carbon tetrachloride)  
- Strong alkaline  
- MEK (methyl ethyl ketone)  
- Abrasive substances

**10 Decommissioning**



**DANGER**

Only remove the switch when deenergized (electrically and hydraulically/pneumatically).  
Reduce the low pressure first, followed by the high pressure.  
Disconnection of the switch from pressure and power supply must be carried out by trained or instructed personnel according to state-of-the-art standards.



**WARNING**

Be aware of the fact that in case of operation with higher temperatures the casing surface may become very hot!