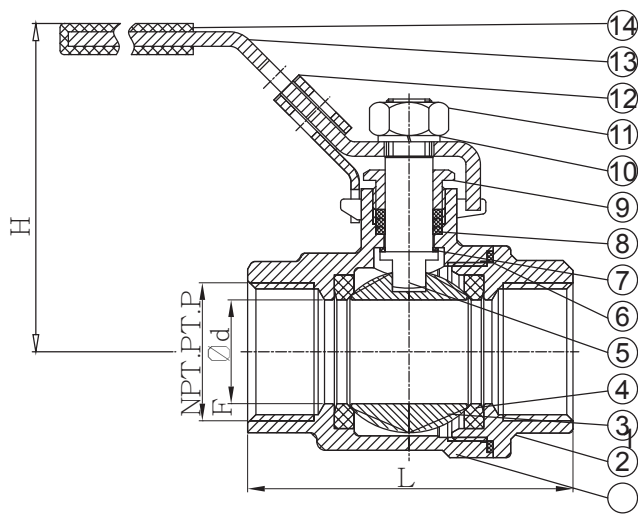
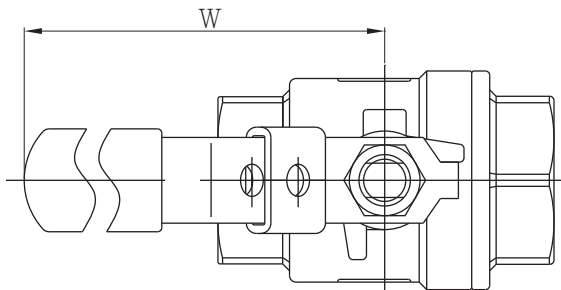
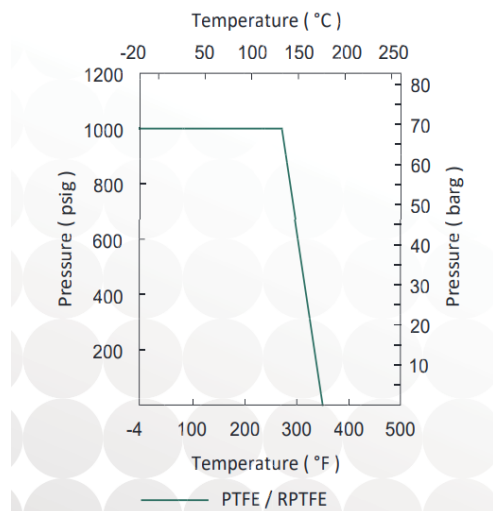


FULL PORT TWO-PIECE BALL VALVE SCREWED END 1000W.O.G./PN63



Valve Body Rating with Seat Material Plot:



FEATURES:

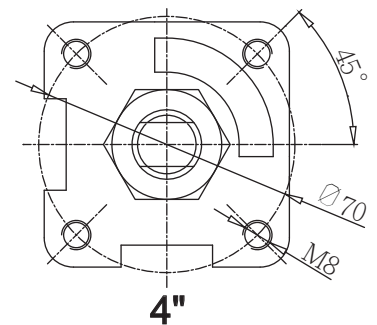
- PIPE THREAD IN ACCORDANCE: NPT, BSPT, DIN259, DIN2999, ISO 228 CLASS A
- BLOW-OUT PROOF STEM / FULL PORT
- INVESTMENT CASTING BODY
- 1000PSI (PN63) W.O.G.
- LOCKING DEVICE
- MATERIAL: S45C/ASTM A216Gr-WCB/DIN1.0619
SUS304/ASTM A351Gr-CF8/DIN1.4308
SUS316/ASTM A351Gr-CF8M/DIN1.4408

MATERIALS LIST:

NO.	PART NAME	MATERIAL		
		WCB	CF8	CF8M
1	BODY	WCB	CF8	CF8M
2	CAP	WCB	CF8	CF8M
3	BALL	CF8	CF8	CF8M
4	SEAT	PTFE		
5	STEM	SUS304	SUS304	SUS316
6	GASKET	PTFE		
7	THRUST WASHER	PTFE		
8	PACKING	PTFE		
9	GLAND	SUS304		
10	SPRING WASHER	SUS304		
11	STEM NUT	SUS304		
12	LOCKING DEVICE	SUS304		
13	HANDLE	SUS304		
14	PLASTIC COVER	PLASTIC		

DIMENSIONS:

SIZE		d	L	H	W
DN	NPS				
8	1/4"	11.6	52	56	102
10	3/8"	12.7	52	56	102
15	1/2"	15	58	65	123
20	3/4"	20	67	68	123
25	1"	25	78	79	153
32	1 1/4"	32	90	84	153
40	1 1/2"	40	104	94	183
50	2"	50	126	100	183
65	2 1/2"	65	158	135	246
80	3"	80	186	145	246
100	4"	100	260	168	503



DRWN BY: MICHELLE TSENG 11/11/13	UNIT: mm	DO NOT SCALE DRAWING	die erste [®]	DIE ERSTE INDUSTRY CO., LTD. TAICHUNG, TAIWAN
	PROJECT: 			
APPROVAL: BIBBY 11/11/13	REMARK	TITLE: Series 21E	REV 1.0	
	SHEET 1 OF 1			