

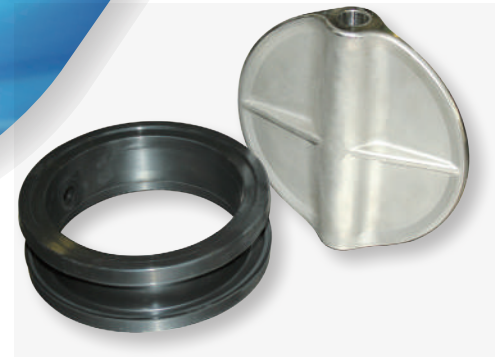


VF-73 SERIES Centric Butterfly Valves



VALUE VALVES

VALUE VALVES VF-7 SERIES Centric Butterfly Valves



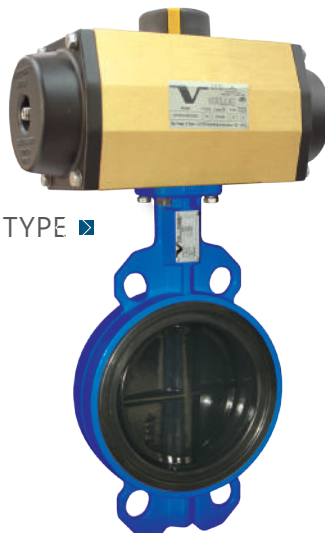
PRODUCT CHARACTERISTICS

- With 35 years of experience in the industry, extensive reference lists in all industrial sectors and continued improvement with high quality product, KLINGER Denmark is a company to be trusted – now, tomorrow and for a long way into the future.
- With the expectation from customers, new technical improved centric type butterfly valve is now introduced to the market.
- In order to improve the competitiveness and ensure the customers' safety, we has passed the NSF61 & NSF 372 certificate by UL(Underwriters Laboratories Inc.) The certification has also proved the content of Lead zero in our products.
- Valve designed per API 609, ASME B16.34 and ISO 5208.
- Mounting flange designed per ISO 5211 for actuator mounting, square shaft end for valve size up to INCH 24(DN600) and round keyway shaft for valve size INCH 26 (DN650) and larger.

APPLICATIONS

HVAC
Ship Building
Petrochemical
Fire Control
Seawater
Flue Gas
Desulphurization

WAFER TYPE ■



■ WAFER TYPE

PRODUCT CHARACTERISTICS

Model No.	VF-730	VF-733	VF-737
End Connection	Wafer type	Lugged type	Flanged type
Flange Drilling	ANSI 125/150.		ANSI 150.
	AS Table E. JIS 10K. PN10. PN16.		JIS 10K. PN10. PN16
Size	1 1/2"-40" (40mm-1000mm)	1 1/2"-24" (40mm-600mm)	14"-72" (350mm-1800mm)
Seat	Soft Seat		
Temperature Range	-20°C ~204°C (-4 °F ~400 °F)		

Remark:

1. Wafer type comes with flange positioning holes while fitting on pipeline
2. Technical dimensions of stainless steel valves are different with iron valve, please refer page 13 for details

- ▶ **PRESSURE RATING:** Bi-directional bubble tight shut-off with
 10bar(150psi)----(1 1/2"~72")40mm~1800mm.(STD)
 16bar(230psi)----(1 1/2"~24")40mm~600mm.(OPT)

- ▶ **Closure Test Pressure (per ISO 5208)**
 11bar(160psi)----(1 1/2"~72")40mm~1800mm.(STD)
 18bar(260psi)----(1 1/2"~24")40mm~600mm.(OPT)

- ▶ **Shell Test Pressure (per ISO 5208)**
 15bar(220psi)----(1 1/2"~72")40mm~1800mm.(STD)
 24bar(340psi)----(1 1/2"~24")40mm~600mm.(OPT)

- ▶ **Material required other than standard upon request.**

- ▶ **Anti-Condensed: upon request**



VALUE VALVES

DESIGN DETAILS

DISC INDICATION

Disc indication marked at the shaft end to clearly identify the disc opening degree at any time.

BUSHING

With self-lubricating bush design, life cycles up to 50,000 cycles without jamming.

"Q" TYPE DESIGN

No special tools required with "Q" type design for the shaft at top mounting to disassemble the shaft, Q type design available for size up to 14" (350mm).

PIN-LESS

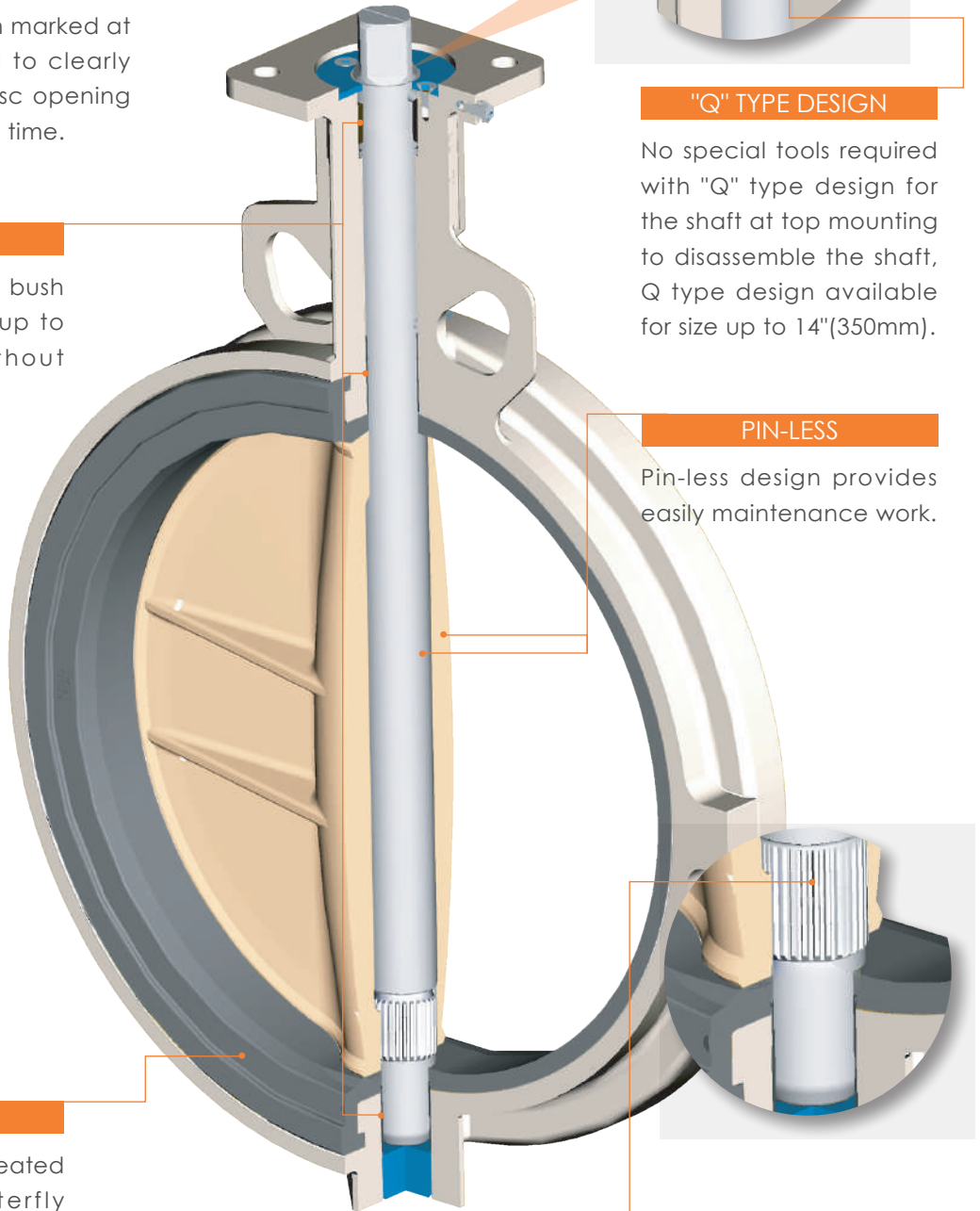
Pin-less design provides easily maintenance work.

SEAT

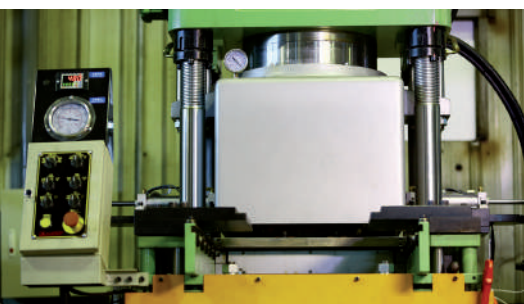
VF-730 with rubber seated centric type butterfly valve design.

SHAFT STRENGTH UPGRADED

Shaft strength increased by splined shaft without drilling on the shaft for taper pin.



Design



DESIGN STANDARDS

End Connection: Wafer, Lugged, Flanged
 Wall Thickness: AWWA C504, ASME B 16.34
 Mounting Flange: ISO 5211
 Design: ISO 5208, AWWA C504, ASME B16.34,
 Face to Face: API 609, ISO 5752, AWWA C504(54"~72")
 Pressure Test: ISO 5208, AWWA C504(54"~72")
 Marketing System: MSS-SP-25
 EX Certificate: ATEX 94/9/EG Group II Category 2 GD
 ABS Certificate: ABS Steel Vessel Rules 1-1-7/7,4-6-2/5.11



(Other flange connection please contact Flow-Valves Sp. z o.o.)
 *Information provided is not contractual, data may be changed without notice. All rights reserved by KLINGER Denmark

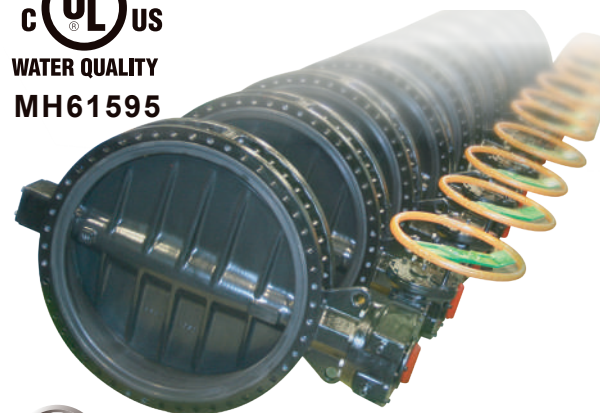
CERTIFICATE

TÜV-Rheinland:
 PED(H) (Pressure Equipment Directive)
 ATEX-Atmosphere Explosibl
 TR CU approval available with
 (Customs Union Technical Regulations)
 TR CU 032 Certificate - Gas / Liquid
 TR CU 010 Certificate - Gas / Liquid
 UL - Underwriters Laboratories Inc.
 NSF61 & NSF 372 certificate
 ABS-American Bureau of Shipping:
 Manufacture Assessment
 Design Assessmnet
 CR-China Corporation Register of Shipping:
 Manufacture Assessment
 TS-Manufacture License of Special
 Equipment People's Republic of China
 National Institute of Hygiene
 Hygienic Certificate

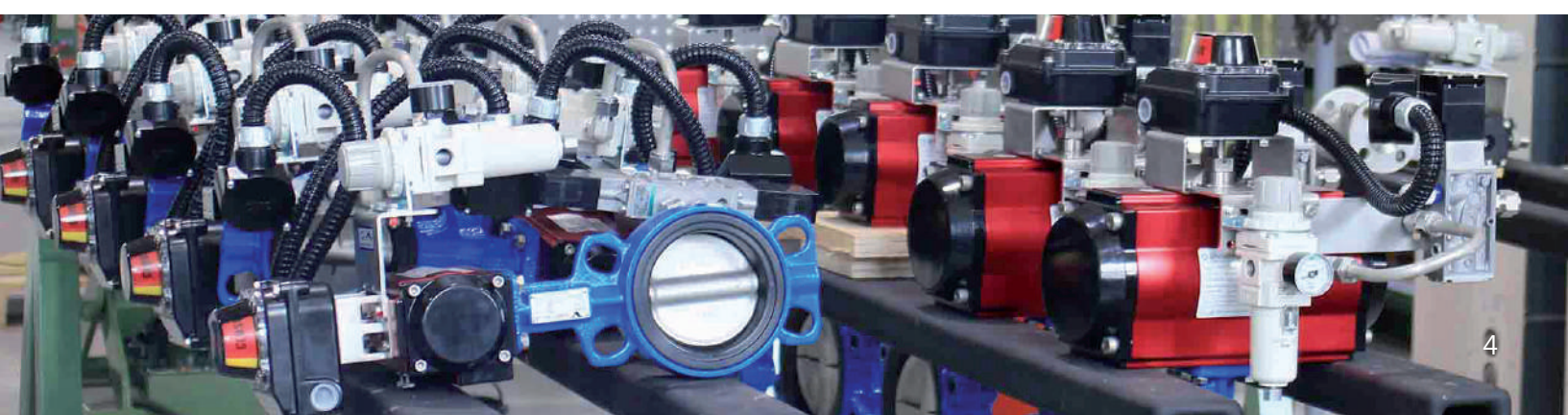


CLASSIFIED

 WATER QUALITY
 MH61595



Certificate



VF-730/733/737

CV FLOW COEFFICIENT

Size		Disc Angle (Open Degree)								
mm	inch	10°	20°	30°	40°	50°	60°	70°	80°	90°
40	1 1/2	0.8	2.8	8.1	16.6	25.7	42.1	69.0	94.8	132.2
50	2	1.3	4.4	11.9	25.7	44.5	70.2	117.0	154.4	225.8
65	2 1/2	2.3	8.8	21.3	41.0	71.4	111.2	218.8	280.8	368.6
80	3	2.9	11.5	30.4	56.2	97.1	147.4	250.4	395.5	497.3
100	4	4.4	17.1	45.6	84.2	139.2	258.6	422.4	709.0	845.9
125	5	7.6	28.1	72.5	138.1	253.9	461.0	700.8	1214.5	1454.3
150	6	11.7	48.0	111.2	204.8	381.4	634.1	1021.4	1474.2	2175.0
200	8	22.2	74.9	193.1	358.0	670.4	1164.2	1833.4	2702.7	3655.1
250	10	32.8	118.2	286.7	527.7	978.1	1710.5	2636.0	3809.5	5565.7
300	12	39.8	150.9	365.0	719.6	1330.3	2486.3	3800.2	5839.5	8257.9
350	14	55.0	190.7	456.3	930.2	1752.7	3010.4	4656.6	6726.3	9733.2
400	16	72.5	270.3	594.4	1260.1	2308.4	3955.8	6300.5	9475.8	13405.9
450	18	87.8	299.5	726.6	1413.4	2708.6	4592.3	7407.3	11084.6	15926.0
500	20	120.5	404.8	1005.0	1979.6	3610.6	6257.2	9960.2	15337.5	21935.2
550	22	146.3	489.1	1215.6	2395.0	4368.8	7571.1	12051.0	18557.4	26541.5
600	24	162.6	578.0	1349.0	2795.1	5225.2	8846.4	13975.7	21163.0	29503.9
650	26	190.7	677.4	1583.0	3280.7	6132.0	10381.4	16401.1	24836.8	34626.2
700	28	223.5	771.0	1958.6	3772.1	7008.3	12471.0	20407.1	29477.0	43080.6
750	30	237.5	819.0	2079.1	4001.4	7434.2	13229.2	21648.5	31270.6	45702.5
800	32	300.7	1138.4	2693.3	5303.6	9635.0	16523.9	26934.6	36987.2	53814.2
900	36	384.9	1466.0	3451.5	6858.5	12647.7	21275.3	34814.5	50184.8	71421.5
950	38	538.2	2024.1	4703.4	8400.6	14238.9	23166.0	38013.3	57704.4	72715.5
1000	40	596.7	2245.2	5213.5	9308.5	15788.0	25668.6	42120.0	63939.3	80582.6
1050	42	657.5	2475.7	5748.2	10262.1	17406.1	28300.0	46437.3	70493.7	88842.8
1100	44	721.9	2716.7	6308.6	11263.6	19103.8	31058.8	50965.2	77366.3	97505.5
1200	48	858.8	3232.7	7507.9	13404.7	22734.3	36962.6	60652.8	92073.2	116039.4

Note:

1. Other dimensions please consult with KLINGER Denmark

2. The pressure drop corresponding to the spring action, is referred to the normal torque type.

3. Cv=The number of U.S. Gallons/minute that will result in 1 psi pressure lose across the valve at temp of 15.6°C (60 °F).

4. Cv=1.17Kv

5. Where the Kv value denotes the rate in m³/hr for water at 25 °C (77 °F) flowing under pressure differential 1 Kg/cm²

$$Q = C_v \sqrt{\frac{\Delta P}{G_L}}$$

Q= Flow in gpm (U.S. gallons per minute)
 Δp = pressure drop through the valve (psi)
 GL= specific gravity (for water at 15.6°C (60 °F) =1)

TORQUE CHART (Nm)

Including 30% Safety Factor

Size		Differential pressure (kg/cm ²)						
mm	inch	Lubricating(Non-corrosive)(Nm)				Dry(Non-Lubricating)(Nm)		
		3bar	6bar	10bar	16bar	3bar	6bar	10bar
40	1.5	15	17	19	23	19	21	23
50	2	15	17	19	23	19	21	23
65	2.5	18	20	22	26	22	24	27
80	3	28	31	34	41	34	38	42
100	4	37	41	45	54	45	50	56
125	5	61	68	76	91	76	84	93
150	6	116	127	140	154	126	138	152
200	8	171	190	211	253	211	234	260
250	10	275	306	340	408	340	378	420
300	12	381	423	470	564	470	522	580
350	14	545	605	672	808	672	747	830
400	16	728	809	899	1088	899	999	1110
450	18	912	1013	1126	1368	1126	1251	1390
500	20	1135	1261	1401	1701	1401	1557	1730
550	22	1373	1525	1695	2043	1695	1884	2093
600	24	1325	1472	1636	1983	1636	1818	2020
650	26	1555	1727	1920	2301	1920	2133	2370
700	28	2339	2599	2888	3483	2888	3209	3566
750	30	2608	2898	3220	3903	3220	3578	3975
800	32	3008	3342	3713	4443	3713	4125	4583
900	36	3828	4253	4726	5643	4726	5251	5834
950	38	4415	4920	6616	7716	5450	6050	7100
1000	40	5090	5680	7620	8940	6280	7010	9410
1050	42	5611	6262	8401	9961	6924	7728	10374
1100	44	6158	6872	9262	10962	7599	8481	11385
1200	48	7328	8178	11022	12922	9043	10093	13548

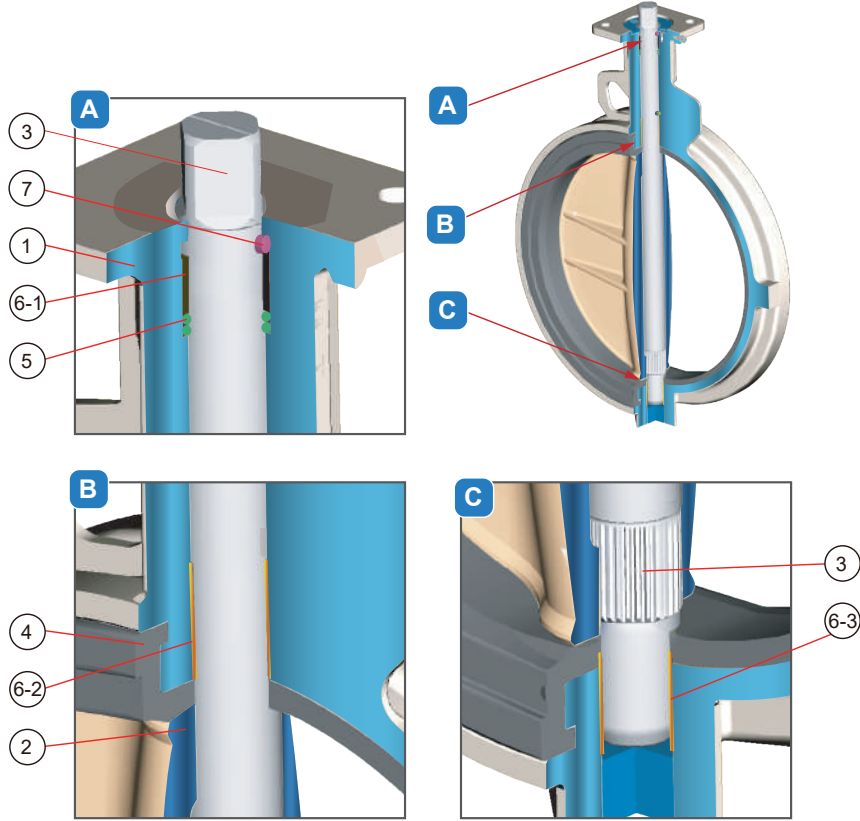
To use torque chart, note the following:

1. Seating / unseating torque valves above included friction bearing torque for stated Δp .
2. Do not apply a safety factor to above torque valves when determining actuator out put torque requirement.
3. Other dimensions please consult with KLINGER Denmark
4. Test medium: water / room temperature

DN 40~300
INCH 1 1/2~12

	SIZE
WAFER TYPE	VF-730
LUG TYPE	VF-733
FLANGE TYPE	VF-737
INCH DN	1 1/2 12 14 24 26 40 72
	40 300 350 600 650 1000 1800

PARTS AND MATERIALS

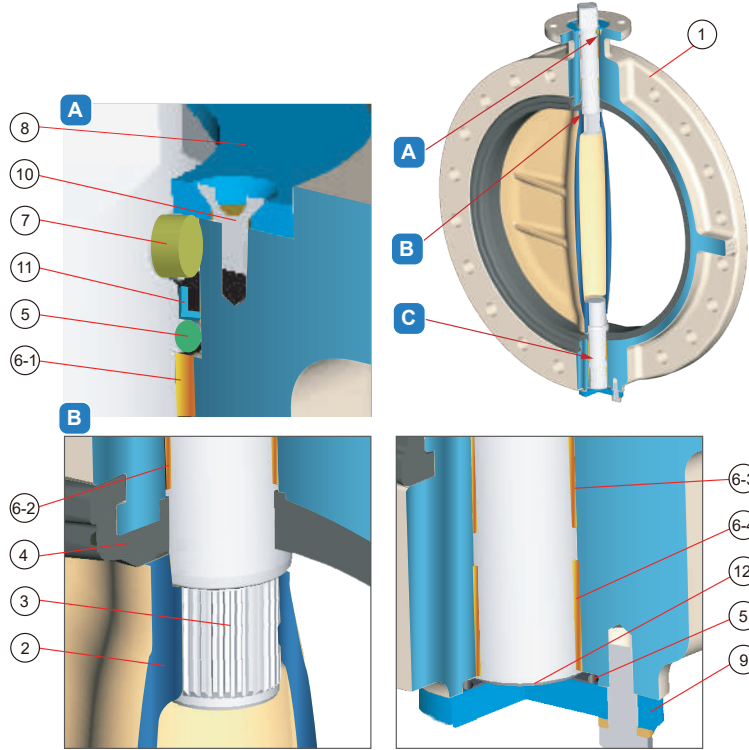


No.	NAME	MATERIAL	SPECIFICATION		REMARK
			JIS	ASTM	
1	BODY	CAST IRON	FC 200	A126 Cl. B	
		DUCTILE IRON	FCD 450	A536-65-45-12	
2	DISC	DUCTILE IRON	FCD 450	A536-65-45-12	Nylon 11 coated
		STAINLESS STEEL	SCS 13A	A351 Gr. CF8	
		ALU-BRONZE	ALBC 2	B148 C95400	
3	SHAFT	STAINLESS STEEL	SUS 410	A182 Gr. F6A	
			SUS 304	A182 Gr. F304	
			SUS 316	A182 Gr. F316	
			SUS 630	A 564 Gr. 630	
4	SEAT	NBR (NITRILE)			-10°C ~90°C (14 °F ~194 °F)
		EPDM			-20°C ~120°C (-4 °F ~248 °F)
		EPT			-40°C ~140°C (-40 °F ~284 °F)
		WHITE EPT			-40°C ~140°C (-40 °F ~284 °F)
		NEOPRENE(CR)			0°C ~ 80°C (32 °F ~176 °F)
		SILICON			-20°C ~180°C (-4 °F ~356 °F)
		VITON			-18°C ~204°C (-0.4 °F ~400 °F)
5	O-RING	NBR(NITRILE)			*
6-1	BUSHING	DELRIN			*
6-2		RPTFE+STAINLESS STEEL	RPTFE+SUS 304	RPTFE+A240 Gr. 304	*
6-3		BRONZE	BC 6	B62	*For cast iron and ductile iron body
7	PIN	STAINLESS STEEL	SUS 304	A182 Gr. F304	*

1. Each materials can provide on different process of customer's requirements.
2. "*" KLINGER Denmark offer high quality replacement parts for our own product.



PARTS AND MATERIALS



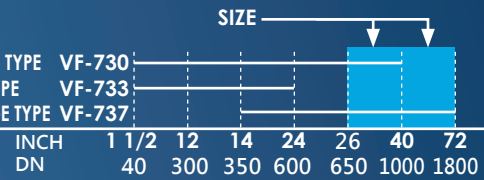
Material

No.	NAME	MATERIAL	SPECIFICATION		REMARK
			JIS	ASTM	
1	BODY	CAST IRON	FC 200	A 126 Cl. B	
		DUCTILE IRON	FCD 450	A536-65-45-12	
		STAINLESS STEEL	SCS 13A	A351 Gr.CF8	
		STAINLESS STEEL	SCS 14A	A351 Gr.CF8M	
2	DISC	CARBON STEEL	SC 480	A216 Gr. WCB	
		DUCTILE IRON	FCD 450	A536-65-45-12	Nylon 11 coated
		STAINLESS STEEL	SCS 13A	A351 Gr. CF8	
		STAINLESS STEEL	SCS 14A	A351 Gr. CF8M	
3	SHAFT	ALU-BRONZE	ALBC 2	B 148 C95400	
		STAINLESS STEEL	SUS 410	A 182 Gr. F6A	
		STAINLESS STEEL	SUS 304	A 182 Gr. F304	
		STAINLESS STEEL	SUS 316	A 182 Gr. F316	
4	SEAT	NBR (NITRILE)			-10°C ~ 90°C (14 °F ~194 °F)
		EPDM			-20°C ~120°C (-4 °F ~248 °F)
		EPT			-40°C ~140°C (-40 °F ~284 °F)
		WHITE EPT(for NSF61 &372)			-40°C ~140°C (-40 °F ~284 °F)
		NEOPRENE(CR)			0°C ~ 80°C (32 °F ~176 °F)
		SILICON			-20°C ~180°C (-4 °F ~356 °F)
		VITON			-18°C ~204°C (-0.4 °F ~400 °F)
5	O-RING	NBR(NITRILE)			*
6-1	BUSHING	RPTFE+STAINLESS STE EL	RPTFE+SUS 304	RPTFE+A240 Gr. 304	
6-2					
6-3					
6-4					
7	PIN	STAINLESS STEEL	SUS 304	A 182 Gr. F304	*
8	UPPER COVER	CAST IRON	FC 200	A 126 Cl. B	For cast iron, ductile iron body.
		STAINLESS STEEL	SUS 13A	A351 Gr.CF8	For stainless steel body
			SUS 14A	A351 Gr.CF8M	
9	BOTTOM COVER	CAST IRON	FC 200	A 126 Cl. B	For cast iron, ductile iron body
		STAINLESS STEEL	SUS 13A	A351 Gr.CF8	For stainless steel body
			SUS 14A	A351 Gr.CF8M	
10	BOLT	STEEL			
11	THRUST RING	STAINLESS STEEL	SUS 304	A240 Gr. 304	*
12	PACKING	PTFE			

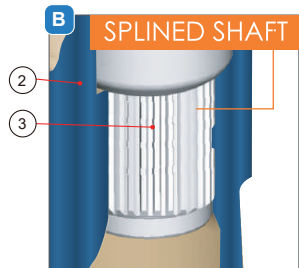
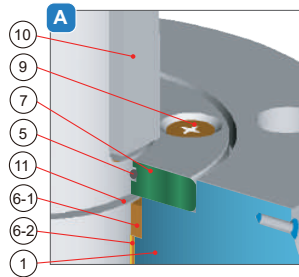
1. Each materials can provide on different process of customer's requirements.
2. " * " KLINGER Denmark offer high quality replacement parts for our own product.

DN 650~1800
INCH 26~72

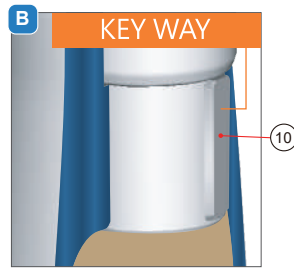
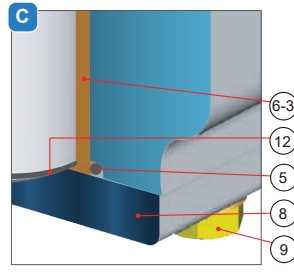
WAFFER TYPE VF-730
LUG TYPE VF-733
FLANGE TYPE VF-737



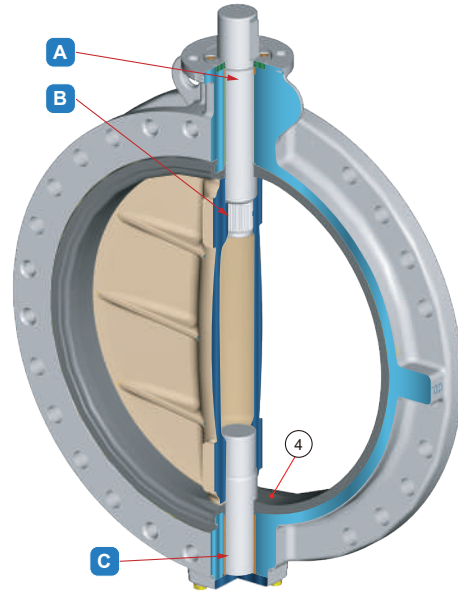
PARTS AND MATERIALS



DN 650-900
(INCH 26~36)



DN 950-1800
(INCH 38~72)

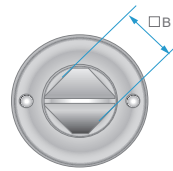


No.	NAME	MATERIAL	SPECIFICATION		REMARK
			JIS	ASTM	
1	BODY	DUCTILE IRON	FCD450	A536-65-45-12	
		STAINLESS STEEL	SCS 13A	A351 Gr.CF8	
		CARBON STEEL	SC 480	A216 Gr. WCB	
2	DISC	DUCTILE IRON	FCD 450	A536-65-45-12	Nylon 11 coated
		STAINLESS STEEL	SCS 13A	A351 Gr. CF8	
		STAINLESS STEEL	SCS 14A	A351 Gr. CF8M	
		ALU-BRONZE	ALBC 2	B148 C95400	
3	SHAFT	STAINLESS STEEL	SUS 410	A182 Gr. F6A	
			SUS 304	A182 Gr. F304	
			SUS 316	A182 Gr. F316	
			SUS 630	A 564 Gr. 630	
4	SEAT	NBR (NITRILE)			-10°C ~ 90°C (14 °F ~194 °F)
		EPDM			-20°C ~120°C (-4 °F ~248 °F)
		EPT			-40°C ~140°C (-40 °F ~284 °F)
		WHITE EPT(for NSF61&372)			-40°C ~140°C (-40 °F ~284 °F)
		NEOPRENE(CR)			0°C ~ 80°C (32 °F ~176 °F)
		SILICON			-20°C ~180°C (-4 °F ~356 °F)
5	O-RING	NBR(NITRILE)			-18°C ~204°C (-0.4 °F ~400 °F)
6-1	BUSHING	BRONZE	BC 6	B62	
6-2		RPTFE+	RPTFE+	RPTFE+	
6-3		STAINLESS STEEL	SUS 316	A240 Gr. 316	
7	UPPER COVER	DUCTILE IRON	SS 400	A36	For ductile iron body.
		STAINLESS STEEL	SUS 304	A240 Gr. 304	For stainless steel body.
			SUS 316	A240 Gr. 316	
8	BOTTOM COVER	DUCTILE IRON	SS 400	A36	For ductile iron body.
		STAINLESS STEEL	SUS 304	A240 Gr. 304	For stainless steel body.
			SUS 316	A240 Gr. 316	
9	BOLT	STEEL			
10	THRUST RING	STAINLESS STEEL	SUS 304	A240 Gr. 304	
11	PACKING	PTFE			
12	KEY	STEEL			

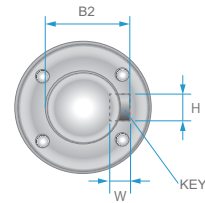
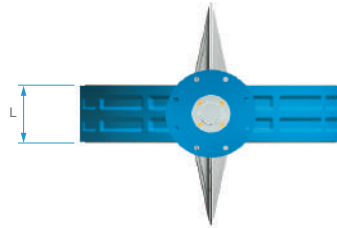
- Each materials can provide on different process of customer's requirements.
- " * "KLINGER Denmark offer high quality replacement parts for our own product.

VF-730 WAFER TYPE DN 40~1000 INCH 1 1/2~40

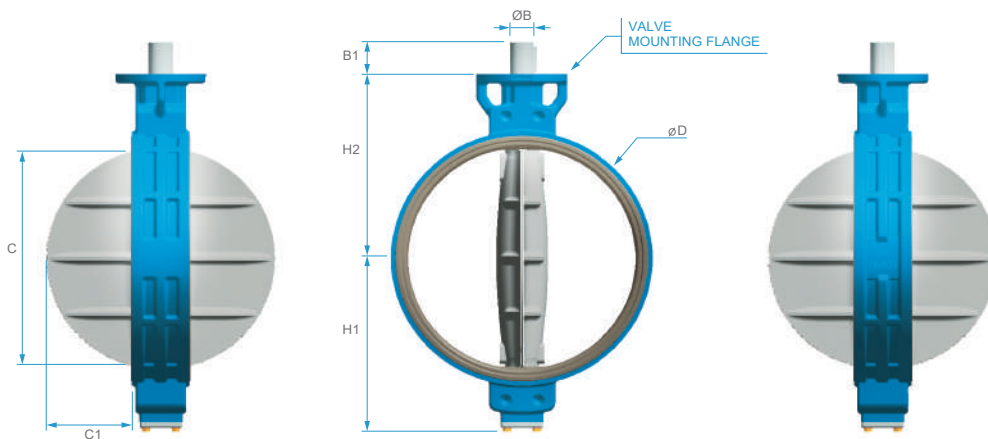
DIMENSIONS



DN 40~ 600
INCH 1 1/2"~24"



DN 650~1000
INCH 26"~40"



Unit : mm

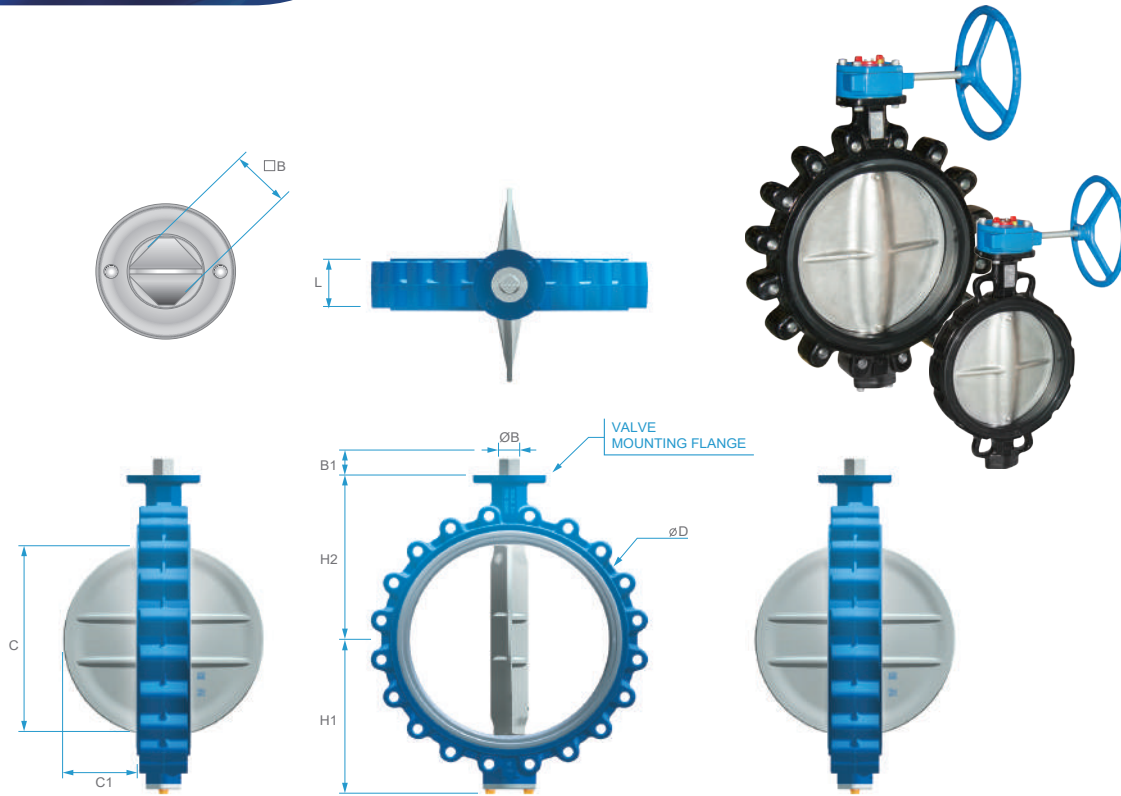
Size		Face to Face	Dimensions					Mounting flange (ISO 5211)		Shaft end				Weight	
mm	Inch		L	H1	H2	φD	C	C1	VALVE		φB	B1	B2		Key (H*W)
				Type	PCD										
40	1 1/2	33	60	120	81	34	7	F07	70	14	19	-	-	11	2
50	2	43	65	143	96	39	8	F07	70	14	19	-	-	11	3
65	2 1/2	46	71	155	110	55	13	F07	70	14	19	-	-	11	4
80	3	46	77	162	124	69	19	F07	70	14	19	-	-	11	4
100	4	52	107	181	148	91	27	F07	70	14	19	-	-	11	6
125	5	56	122	197	180	115	36	F07	70	18	19	-	-	14	8
150	6	56	150	210	206	140	47	F07	70	18	19	-	-	14	9
200	8	60	165	240	259	186	68	F10/*F12	102/*125	22	24	-	-	17	14
250	10	68	201	286	320	239	90	F10/*F12	102/*125	25	24	-	-	19	22
300	12	78	234	309	370	289	111	F10/*F12	102/*125	28	24	-	-	22	33
350	14	78	303	329	412	325	128	F12/*F14	125/*140	35	29	-	-	27	48
400	16	102	335	361	475	375	143	F12/*F14	125/*140	35	29	-	-	27	60
450	18	114	363	393	530	423	162	F14/*F16	140/*165	48	38	-	-	36	80
500	20	127	397	427	585	473	182	F14/*F16	140/*165	48	38	-	-	36	125
550	22	154	426	475	635	507	186	F14/*F16	140/*165	48	38	-	-	36	130
600	24	154	459	492	687	560	214	F16	165	60	48	-	-	46	200
650	26	165	489	515	712	607	232	F16	165	65	90	69.5	18*12	-	194
700	28	165	511	563	790	655	255	F16	165	75	90	79.2	20*12	-	249
750	30	190	544	585	846	692	264	F25	254	75	110	79.2	20*12	-	316
800	32	190	592	630	870	736	285	F25	254	80	110	87.5	24*16	-	365
900	36	203	632	660	972	841	331	F25	254	85	110	92.5	24*16	-	424
1000	40	216	698	749	1090	941	375	F30	298	100	155	105.3	28*16	-	648

- *Other dimensions please consult with KLINGER Denmark
- Size of Stainless Steel is 12" and below, please see page13.
- Inside Pipe Diameter > C

LUG TYPE VF-733

DN 40~600
INCH 1 1/2~24

DIMENSIONS



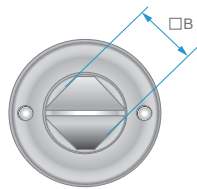
Unit : mm

Size		Face to Face	Dimensions					Mounting flange (ISO 5211)		Shaft end			Weight
mm	Inch		L	H1	H2	φD	C	C1	VALVE		φB	B1	
								Type	PCD				kg
40	1 1/2	33	60	120	81	34	7	F07	70	14	19	11	3
50	2	43	65	143	96	39	8	F07	70	14	19	11	4
65	2 1/2	46	71	155	110	55	13	F07	70	14	19	11	4
80	3	46	77	162	124	69	19	F07	70	14	19	11	5
100	4	52	89	181	148	91	27	F07	70	14	19	11	8
125	5	56	112	197	180	115	36	F07	70	18	19	14	10
150	6	56	123	210	206	140	47	F07	70	18	19	14	11
200	8	60	150	240	259	186	68	F10/*F12	102/*125	22	24	17	18
250	10	68	179	286	320	239	90	F10/*F12	102/*125	25	24	19	27
300	12	78	216	309	370	289	111	F10/*F12	102/*125	28	24	22	44
350	14	78	303	329	412	325	128	F12/*F14	125/*140	35	29	27	58
400	16	102	335	361	475	375	143	F12/*F14	125/*140	35	29	27	81
450	18	114	363	393	530	423	162	F14/*F16	140/*165	48	38	36	110
500	20	127	397	427	585	473	182	F14/*F16	140/*165	48	38	36	155
600	24	154	459	492	687	560	214	F16	165	60	48	46	318

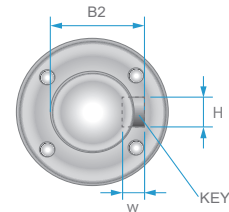
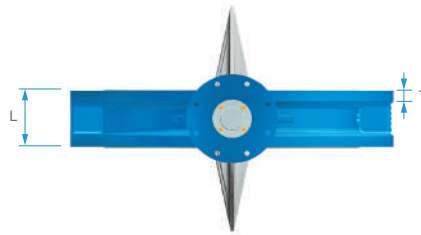
- *Other dimensions please consult with KLINGER Denmark
- Size of Stainless Steel is 12" and below, please see page 13.
- Inside Pipe Diameter > C

VF-737 FLANGE TYPE DN 350~1800 INCH 14~72

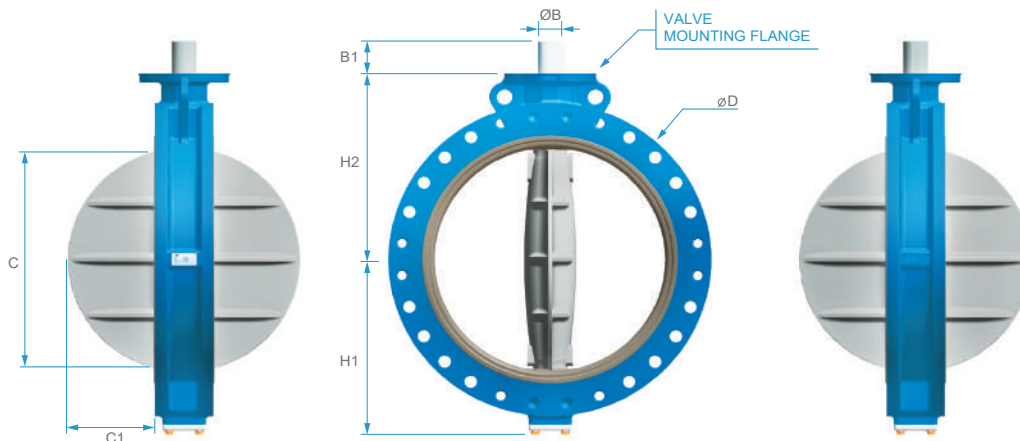
DIMENSIONS



DN 350~DN 600
INCH 14"~24"



DN 650~DN 1800
INCH 26"~72"



Unit : mm

Size		Face to Face	Dimensions					Mounting flange (ISO 5211)		Shaft end				Thickness of Flange	Weight	
mm	Inch	L	H1	H2	φD	C	C1	VALVE		φB	B1	B2	Key (H*W)	□B	T	kg
								Type	PCD							
350	14	78	303	329	535	325	128	F12/*F14	125/*140	35	29	-	-	27	21	69
400	16	102	335	361	600	375	143	F12/*F14	125/*140	35	29	-	-	27	22	95
450	18	114	363	393	648	423	162	F14/*F16	140/*165	48	38	-	-	36	27	129
500	20	127	397	427	715	473	182	F14/*F16	140/*165	48	38	-	-	36	30	161
550	22	154	426	475	762	507	186	F14/*F16	140/*165	48	38	-	-	36	31	191
600	24	154	459	492	840	560	214	F16	165	60	48	-	-	46	36	248
650	26	165	489	515	870	607	232	F16	165	65	90	69.5	18*12	-	40	294
700	28	165	511	563	927	655	255	F16	165	75	90	79.2	20*12	-	40	329
750	30	190	544	585	997	692	264	F25	254	75	110	79.2	20*12	-	40	431
800	32	190	592	630	1060	736	285	F25	254	80	110	87.5	24*16	-	44	507
900	36	203	632	660	1170	841	331	F25	254	85	110	92.5	24*16	-	46	621
950	38	216	682	729	1238	889	350	F25	254	95	110	100.3	28*16	-	50	750
1000	40	216	698	749	1289	941	375	F30	298	100	155	105.3	28*16	-	50	810
1050	42	216	761	813	1346	979	393	F30	298	100	155	105.3	28*16	-	50	859
1100	44	216	768	814	1403	1026	416	F30	298	110	180	116.3	32*18	-	50	931
1200	48	254	814	870	1511	1132	453	F30	298	110	180	116.3	32*18	-	56	1161
1300	52	381	833	927	1626	1202	440	F35	356	144	180	152	36*20	-	60	-
1350	54	381	862	956	1683	1267	471	F35	356	146	180	154	36*20	-	62	-
1400	56	381	893	987	1746	1298	486	F35	356	149	180	157	36*20	-	62	-

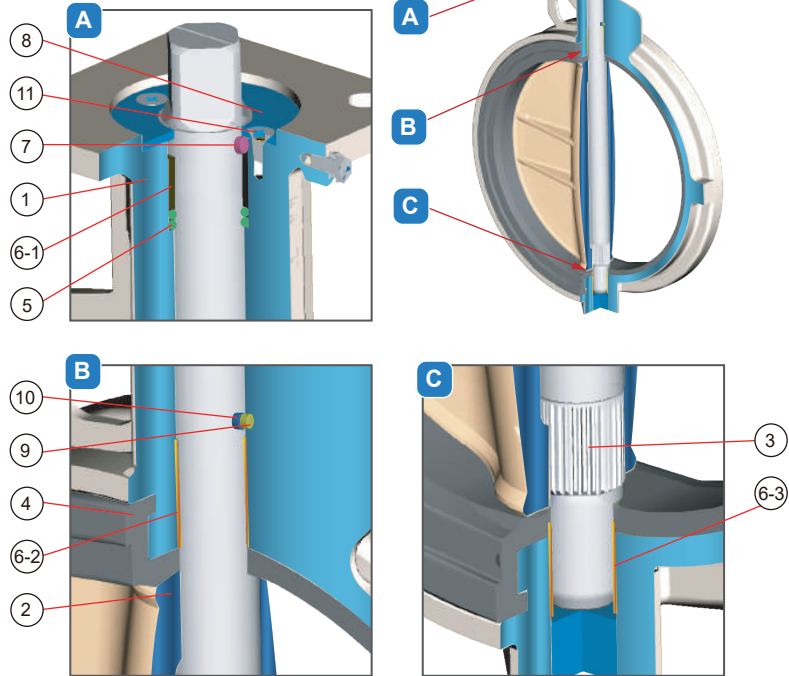
- *Other dimensions please consult with KLINGER Denmark
- Inside Pipe Diameter > C

	SIZE
WAFER TYPE VF-730	1 1/2 12 14 24 26 40 72
LUG TYPE VF-733	1 1/2 12 14 24 26 40 72
FLANGE TYPE VF-737	1 1/2 12 14 24 26 40 72
INCH	1 1/2 12 14 24 26 40 72
DN	40 300 350 600 650 1000 1800

PARTS AND MATERIALS

VALUE VALVES offer a new line of butterfly valves with stainless steel investment cast bodies (1) and discs (2) from size DN40 up to DN300(12") IN BOTH WAFER AND LUG STYLES.

This line of valves has the same design features of VF-730/733 valves, plus the advantage parts like RTFE+SS 304 bushings(6-2,6-3), upper cover(8), stainless steel lever lever operator set and gear box etc., to reach a high integrity corrosion resistance exterior for use in aggressive environment.



Anti static device (9,10) has to be equipped with this valve, since the valve disc & stem was isolated by rubber liner and stem bushings. It will collect the static, which resulted by the friction between the fluids and disc. In order to prevent the dangers caused by static, the antistatic device is required.

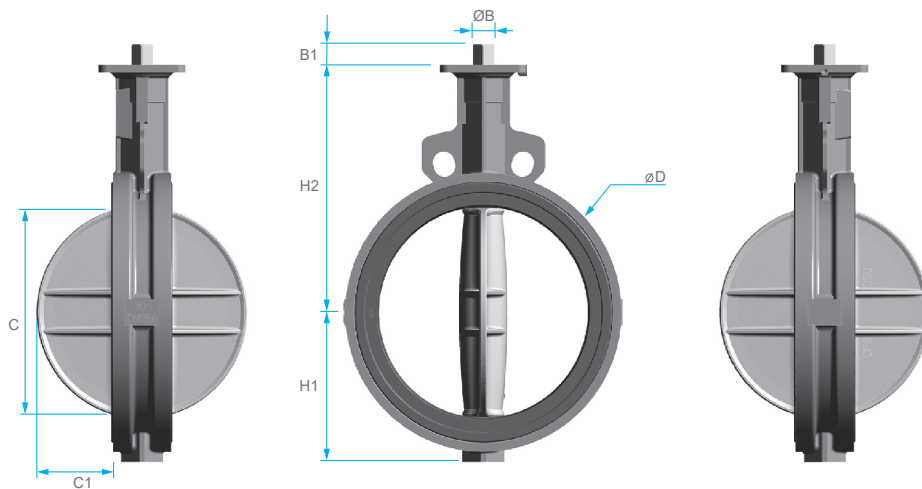
No.	NAME	MATERIAL	SPECIFICATION		REMARK
			JIS	ASTM	
1	BODY	STAINLESS STEEL	SCS 13A	A351 Gr.CF8	
		CARBON STEEL	SC 480	A216 Gr. WCB	
2	DISC	STAINLESS STEEL	SCS 13A	A351 Gr. CF8	
			SCS 14A	A351 Gr. CF8M	
3	SHAFT	STAINLESS STEEL	SUS 410	A182 Gr. F6A	
			SUS 304	A182 Gr. F304	
			SUS 316	A182 Gr. F316	
			SUS 630	A564 Gr. 630	
4	SEAT	NBR (NITRILE)			-10°C ~ 90°C (14 °F ~194 °F)
		EPDM			-20°C ~120°C (-4 °F ~248 °F)
		EPT			-40°C ~140°C (-40 °F ~284 °F)
		WHITE EPT(for NSF61&372)			-40°C ~140°C (-40 °F ~284 °F)
		NEOPRENE(CR)			0°C ~ 80°C (32 °F ~176 °F)
		SILICON			-20°C ~180°C (-4 °F ~356 °F)
5	O-RING	NBR(NITRILE)			*
		DELRIN			*
6-1	BUSHING	PRTFE+STAINLESS STEEL	RPTFE+SUS 304	RPTFE+A240 Gr. 304	*
6-2					
6-3					
7	PIN	STAINLESS STEEL	SUS 304	A182 Gr. F304	*
8	UPPER COVER	STAINLESS STEEL	SUS 304	A240 Gr. 304	
9	PIN(ANTI-STATIC)	STAINLESS STEEL	SUS 304	A182 Gr. F304	*
10	SPRING	STAINLESS STEEL	SUS 304	A182 Gr. F304	*
11	BOLT	STAINLESS STEEL	SUS 304	A193 Gr. B8	

1. Each materials can provide on different process of customer's requirements.
2. " * " KLINGER Denmark offer high quality replacement parts for our own product.

VF-730/733 STAINLESS STEEL

DN 40~300
INCH 1 1/2~12

DIMENSIONS

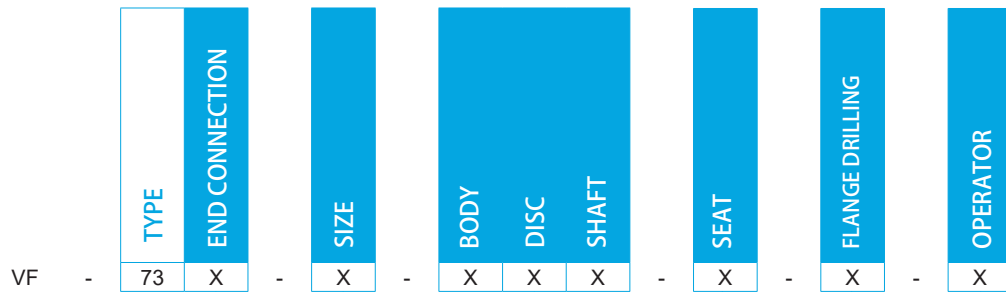


Unit : mm

Size		Face to Face	Dimensions						Mounting flange (ISO 5211)	Flat shaft end			Weight (kg)		
mm	Inch		L	H1		H2	φD	C		C1	φB	B1	□ B	VF-730 WAFER	VF-733 LUG
			VF-730	VF-733					VALVE						
									Type	PCD					
40	1.5	33	60	60	120	81	34	7	F07	70	14	19	11	3	3
50	2	43	65	65	143	96	39	8	F07	70	14	19	11	4	4
65	2.5	46	71	71	155	110	55	13	F07	70	14	19	11	5	5
80	3	46	77	77	162	126	69	19	F07	70	14	19	11	5	5
100	4	52	91	91	182	153	91	27	F07	70	14	19	11	6	9
125	5	56	103	103	197	180	115	36	F07	70	18	19	14	8	11
150	6	56	120	120	210	206	140	47	F07	70	18	19	14	9	12
200	8	60	144	144	240	259	186	68	F10/*F12	102/125	22	24	17	15	19
250	10	68	174	178	288	325	239	90	F10/*F12	102/125	25	24	19	23	29
300	12	78	206	210	311	373	289	111	F10/*F12	102/125	28	24	22	36	48

1. *Other dimensions please consult with KLINGER Denmark
2. Inside Pipe Diameter > C

General Ordering Information



END CONNECTION	
0	WAFER
3	LUG
7	FLANGE (LONG)

OPERATOR	
N	BARE SHAFT
G	GEAR BOX
P	PNEUMATIC
E	ELECTRIC
H	HYDRAULIC
L	LEVER

SIZE	mm
015	40
02	50
025	65
03	80
04	100
05	125
06	150
08	200
10	250
12	300
14	350
16	400
18	450
20	500
24	600
26	650
28	700
30	750
32	800
34	850
36	900
38	950
40	1000
42	1050
44	1100
48	1200

BODY		DISC		SHAFT	
13	CF8	13	CF8	XM	XM-19
14	CF8M	14	CF8M	D2	SS 32205
D5	A536	D5	A536	10	F6A
WC	WCB	AB	ALBC2	34	F304
0	OTHER	0	OTHER	16	F316
				63	A564 630
				0	OTHER

FLANGE DRILLING	
B	PN 10 ISO 7005_1
C	PN 16 ISO 7005_1
F	JIS 10K
L	A.S. 10 Table E

SEAT	
NB	NBR (NITRILE)
EP	EPDM
ET	EPT
WET	WHITE EPT (for NSF61&372)
CR	NEOPRENE(CR)
SI	SILICON
VT	VITON

Note: Example VF-730-08-1314XM-ET-F-N

Shall be a: Centric butterfly valve(73) `Wafer Type(0)` `DN200(08)`
 CF8 Body(13) `CF8M Disc(14)` `Shaft in XM-19(XM)`
 Seat in EPT(ET) `JIS 10K(F)` `Bare Shaft(N)

* For any other special offers please contact KLINGER Denmark

