

Klinger Field 401

Pressure Transmitter

Klinger Field 401 is a family of pressure transmitters intended for measuring tasks within all types of industry.

The transmitter can be delivered in measuring ranges from 10 mbar up to 1,000 bar with an accuracy better than 0.2%. By default, the output signal is analog (4...20 mA DC) with HART protocol, but can also be supplied with RS485 (Modbus) communication.

Sensor with temperature compensation

The sensor is a semiconductor element in a Wheatstone bridge, mounted on a ceramic support plate.

The sensors are temperature compensated on the ceramic element with a circuit that equalizes temperature operation in the range -10 to +70 °C.

Calibration Certificate

We have standardized our delivery program in ranges defined in EN 837-1, but the transmitter can be adjusted to every measuring range you want, and will be delivered together with a calibration certificate (5 points) accordingly to the selected measuring range.

If you choose Klinger Field 401 for your next measurement task you get:

- A robust transmitter with large flexibility.
- Documented accuracy in a wide measuring range
- Attractive pricing.



Klinger Field 401 can be delivered with "intelligent" display.

Klinger Field 401 for your next Application:

- Adjustable Ranges from 10 mbar to 1,000 bar (also vacuum).
- High Accuracy, Standard 0.2% (Option 0.1%).
- Temperature compensated Sensor
- Wetted parts: Stainless steel.
- Communication (HART standard / Option: RS485).

Technical Data

Design:	Compact transmitter w. Field Housing
Materials/Housing:	Aluminium (painted)
Ingress Protection:	IP 65 acc. EN 60529
Electrical Connection:	Terminal (separate Terminalbox)
Weight:	850 ... 1.000 g
Process Connection:	G 1/2 B per DIN EN 837-1 M20*1.5
Wetted Parts:	Stainless Steel 1.4301 (AISI 304) Stainless Steel 1.4404 (AISI 316L)
Sensor:	Solid State w. temperature compensation (-10 .. 70 °C)
Ranges:	Sensor 1 (low pressure) 10 mbar ... 40 mbar Sensor 2 (standard) 40 mbar ... 100 bar Sensor 3 (high pressure) 100 bar ... 1.000 bar Actual Range will be adjusted within the above limitations.
Over pressure:	150% FS
Accuracy:	(Lin./Hyst./Rep.) ≤ 0.2 % of Adjusted Range option: ≤ 0.1 %
Output:	4-20mA / HART protocol Other outputs can be delivered (ask for options)
Power supply:	24VDC (10...30 V DC)
Temperature:	Ambient: -20...85 °C Media: -20...85° C * Storage: -40...125 °C
Display:	Intelligent Display (LCD or LED)
Ex-approval:	Option: Intrinsically safe type Ex iaIICT4 Flameproof safe Ex dIICT6



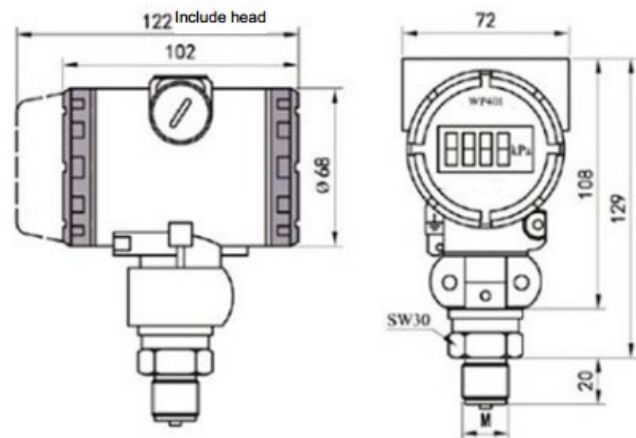
Dimensions

Standard type

Electronic Shell: Aluminium alloy

Wetted part: SUS 304
SUS316L
PVDF

Weight: about 850g

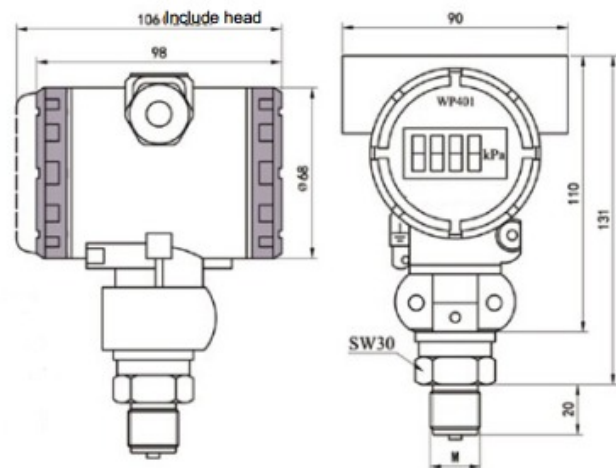


Ex-version

Electronic Shell: Aluminium alloy

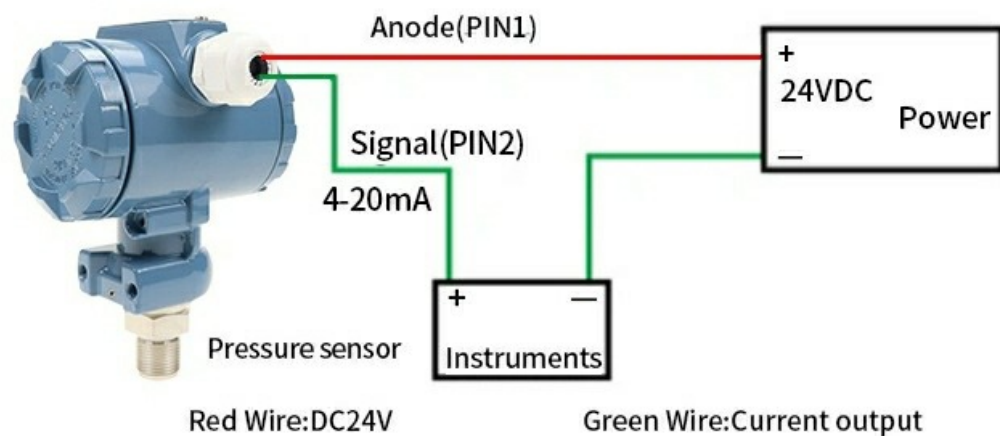
Wetted part: SUS 304
SUS316L
PVDF

Weight: about 1.000g



Electrical Connections

2-wire current output wiring diagram



Product Selection

Code	Model, Specification
Klinger Field 401A-Range	
Xxx, yyy	Range, Unit: Pa, kPa, MPa,...
Accuracy	
1	0.1%FS
2	0.2%FS
5	0.5%FS
Transmitter type	
A	Absolute Pressure
G	Gauge Pressure
N	Vacuum
Process Connection	
2	M20*1.5-20 Male
6	G1/2-20 Male
9	Other
Elektrical Connection	
4	Terminal Block
Output	
S	4-20mA with HART protocol
R	RS485 (Modbus)
T	Other
Power Supply	
2	24VDC
9	Other
Display	
M5	LCD intelligent Display
MH	Intelligent 4bits LED indicator with 2-ways relay alarm
Ex Approval	
	Option
i	Intrinsically safe type Ex iaIICT4
d	Flameproof safe Ex dIICT6

Sample Code:

Pressure Transmitter, Range 0...10bar / 4...20mA w. G 1/2" Connection and Local Display

Product Selection: 401A - 10Bar - 5 - G - 6 - 4 - S - 2 - M5

