

# Klinger Serie 200

All stainless steel Bourdon tube pressure gauges

Klinger serie 200 Gauges with Bourdon tube that can be used to measure pressure in almost every industry/application.

- Industrial design acc. to EN 837-1
- Connection type Lower or Back
- With/without Liquid Filling

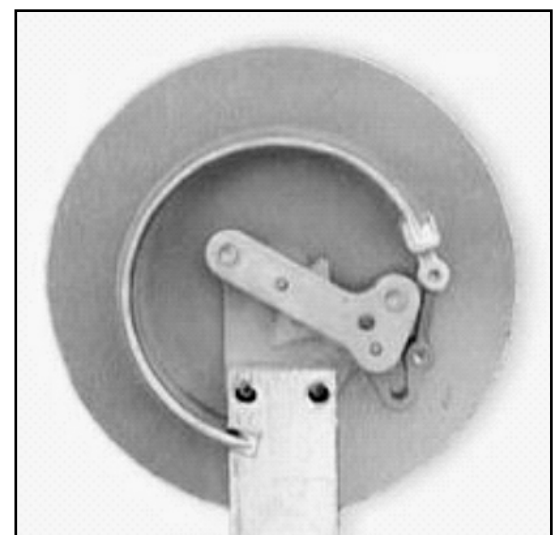
Serie 200 are an all in Stainless Steel Gauge, delivered in ranges from 0 ... 0.6 bar op til 0 ... 1.600 bar.

Nominal sizes for the Gauges are in 5 standard sizes Ø63, 100, 160, 200 og 250mm, covering Accuracy classes between 0,6 and 1,6%.



## Technical data

<b>Nominal Sizes:</b>	63, 100, 150, 200 or 250.
<b>Housing:</b>	AISI 304 Stainless Steel w. Bayonet Bezel
<b>Ingress Protection (EN 60529):</b>	IP 55 Dry execution IP 65 Liquid filled
<b>Window:</b>	Tempered glass for NS 63, 100 and 150; Methacrylate for NS 200 and 250; Laminated safety glass.
<b>Blow-out device:</b>	Plug
<b>Filling:</b>	Glycerine (standard); Silicone (on request)
<b>Process Connections acc. EN 837-1</b>	Thread BSP or NPT (dimensions page 3) Materials: AISI 316L Stainless Steel Monel 400 (Option)
<b>Bourdonrør:</b>	AISI 316Ti rustfri stål Monel 400 (Option)
<b>Weldings:</b>	TIG
<b>Movement:</b>	Stainless steel
<b>Ranges:</b>	Acc. EN 837-1)
<b>Max Range:</b>	1.600 bar.



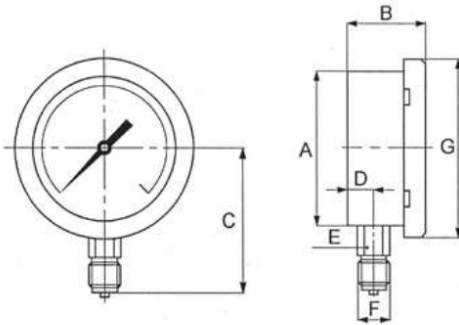
<b>Ranges:</b>	-1 up to 1.600 bar (see table)
<b>Units:</b>	Bar, kPa, MPa, kg/cm <sup>2</sup> or psi Single or double scale (as option)
<b>Scale:</b>	270 °.
<b>Overpressure (Shortterm):</b>	130% Full Scale
<b>Pointer:</b>	Aluminium Dry Execution: Micrometer adjustment (not for Ø 63)
<b>Dial:</b>	White Aluminium with black figures
<b>Accuracy (acc. EN 837-1)</b>	Class 1 (± 1% FS) for Ø100 og 150; Class 1,6 (± 1,6% FS) for Ø 63.
<b>Ambient Temperatur:</b>	-40 ... +60 °C dry execution -20 ... +60 °C Glycerine filled -40 ... +60 °C Silicone filled
<b>Thermal drift:</b>	Out of optimum ambient temperature values included within +15 ÷ +25 °C, the thermal drift affects the instruments accuracy of 0,3% every 10 °C
<b>Service Conditions:</b>	-40 ... +250 °C dry execution -20 ... +100 °C Glycerin filled -40 ... +120 °C silicone filled

## Ranges / Graduation

Graduation	Class 1,6 per SP/NP		Class 1/1,6 per SP/SF/DP/PQ/MP/BP/MA		Class 0,6 per SP/SF/TR		Class 0,25 per CP	
	Division	Division N.	Division	Division N.	Division	Division N.	Division	Division N.
0 ÷ 1	0,05	20	0,02	50	0,01	100	0,005	200
0 ÷ 10	0,5	20	0,2	50	0,1	100	0,05	200
0 ÷ 100	2	20	2	50	1	100	0,5	200
0 ÷ 1000	50	20	20	50	10	100	5	200
-1 ÷ 0	0,05	20	0,02	50	0,01	100	0,005	200
-1 ÷ +9	0,5	20	0,2	50	---	---	---	---
0 ÷ 1,6	0,05	32	0,02	80	0,02	80	0,01	160
0 ÷ 16	0,5	32	0,2	80	0,2	80	0,1	160
0 ÷ 160	5	32	2	80	2	80	1	160
0 ÷ 1600	50	32	20	80	20	80	10	160
-1 ÷ +0,6	0,05	32	0,02	80	---	---	---	---
-1 ÷ +15	0,5	32	0,2	80	---	---	---	---
0 ÷ 2,5	0,1	25	0,05	50	0,02	125	0,01	250
0 ÷ 25	1	25	0,5	50	0,2	125	0,1	250
0 ÷ 250	10	25	5	50	2	125	1	250
0 ÷ 2500	100	25	50	50	20	125	10	250
-1 ÷ +1,5	0,1	25	0,05	50	---	---	---	---
-1 ÷ +24	1	25	0,5	50	---	---	---	---
0 ÷ 0,4	0,01	40	---	---	---	---	---	---
0 ÷ 4	0,2	20	0,1	40	0,05	80	0,02	200
0 ÷ 40	2	20	1	40	0,5	80	0,2	200
0 ÷ 400	20	20	10	40	5	80	2	200
0 ÷ 4000	---	---	100	40	50	80	20	200
-1 ÷ +3	0,1	40	0,1	40	---	---	---	---
0 ÷ 0,6	0,02	30	0,01	60	0,005	120	0,002	300
0 ÷ 6	0,2	30	0,1	60	0,05	120	0,02	300
0 ÷ 60	2	30	1	60	0,5	120	0,2	300
0 ÷ 600	20	30	10	60	5	120	2	300
-1 ÷ +5	0,2	30	0,1	60	---	120	---	---

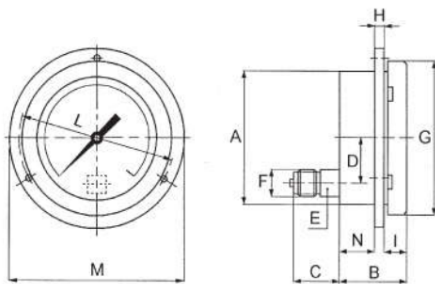
# Dimensions

## Type 208



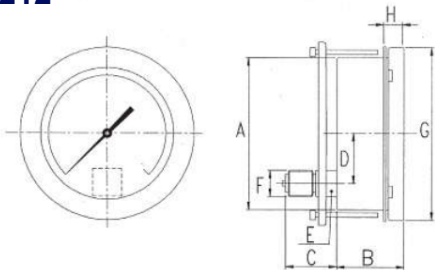
DN	A	B	C	D	E	F	G	H	I	L	M	N	Ø fori 120°	PESO - kg es. D es. F
40	41	25	42	8,5	11	1/8	47							0,06 0,08
50	51	29	51	9	14	1/4	59							0,10 0,14
63	61	31	57	10	14	1/4	69							0,13 0,20
80	80	31	65	10	14	1/4	89							0,21 0,36
100	100	49	90	15,5	22	1/2	111							0,53 0,85
150	149	51	114	16	22	1/2	161							0,88 1,58

## Type 211



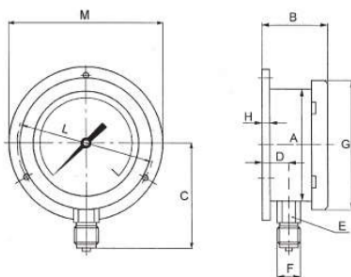
DN	A	B	C	D	E	F	G	H	I	L	M	N	Ø fori 120°	PESO - kg es. D es. F
63	63	31	27	0	14	1/4	69	2,5	12	75	84	16,5	3,6	0,15 0,22
80	82	31	27	19	14	1/4	89	1	12	95	110	18	5	0,25 0,40
100	102	49	35	30	22	1/2	111	1	17	118	132	31	6	0,58 0,90
150	151	51	35	30	22	1/2	161	1	17	178	196	33	6	0,95 1,65

## Type 212



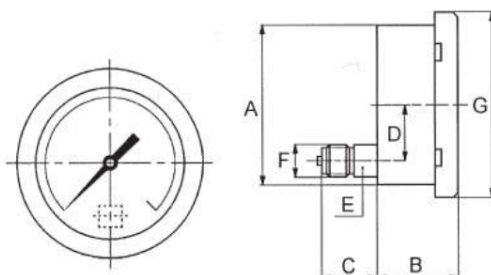
DN	A	B	C	D	E	F	G	H	I	L	M	N	Ø fori 120°	PESO - kg es. D es. F
63	61	31	27	0	14	1/4	69	11						0,16 0,23
100	100	49	35	30	22	1/2	111	17						0,60 0,92

## Type 213



DN	A	B	C	D	E	F	G	H	I	L	M	N	Ø fori 120°	PESO - kg es. D es. F
100	100	49	90	15,5	22	1/2	111	1		118	132		6	0,58 0,90
150	149	51	114	16	22	1/2	161	1		178	196		6	0,95 1,65

## Type 215



DN	A	B	C	D	E	F	G	H	I	L	M	N	Ø fori 120°	PESO - kg es. D es. F
63	61	31	27	0	14	1/4	69							0,13 0,20
80	80	31	27	19	14	1/4	89							0,20 0,35
100	100	49	35	30	22	1/2	111							0,53 0,85
150	149	51	35	30	22	1/2	161							0,88 1,58

## Klinger part numbers

Part number	Size	Connection	Range	Wetted parts	Liquidfilling
19100865	Ø 63mm	G 1/4" Lower	0...0,6	SS 316L	Glycerine 99%
19100866	Ø 63mm	G 1/4" Lower	0...1	SS 316L	Glycerine 99%
19100867	Ø 63mm	G 1/4" Lower	0...1,6	SS 316L	Glycerine 99%
19100868	Ø 63mm	G 1/4" Lower	0...2,5	SS 316L	Glycerine 99%
19100869	Ø 63mm	G 1/4" Lower	0...4	SS 316L	Glycerine 99%
19100870	Ø 63mm	G 1/4" Lower	0...6	SS 316L	Glycerine 99%
19100871	Ø 63mm	G 1/4" Lower	0...10	SS 316L	Glycerine 99%
19100872	Ø 63mm	G 1/4" Lower	0...16	SS 316L	Glycerine 99%
19100873	Ø 63mm	G 1/4" Lower	0...25	SS 316L	Glycerine 99%
19100874	Ø 63mm	G 1/4" Lower	0...40	SS 316L	Glycerine 99%
19100875	Ø 63mm	G 1/4" Lower	0...60	SS 316L	Glycerine 99%
19100876	Ø 63mm	G 1/4" Lower	0...100	SS 316L	Glycerine 99%
19100877	Ø 63mm	G 1/4" Lower	0...160	SS 316L	Glycerine 99%
19100878	Ø 63mm	G 1/4" Lower	0...250	SS 316L	Glycerine 99%
19100879	Ø 63mm	G 1/4" Lower	0...400	SS 316L	Glycerine 99%
19100880	Ø 63mm	G 1/4" Lower	0...600	SS 316L	Glycerine 99%
19100881	Ø 63mm	G 1/4" Lower	0...1000	SS 316L	Glycerine 99%
19100882	Ø 63mm	G 1/4" Lower	-1...0	SS 316L	Glycerine 99%
19100883	Ø 63mm	G 1/4" Lower	-1...0,6	SS 316L	Glycerine 99%
19100884	Ø 63mm	G 1/4" Lower	-1...1,5	SS 316L	Glycerine 99%
19100885	Ø 63mm	G 1/4" Lower	-1...3	SS 316L	Glycerine 99%
19100886	Ø 63mm	G 1/4" Lower	-1...5	SS 316L	Glycerine 99%
19100887	Ø 63mm	G 1/4" Lower	-1...9	SS 316L	Glycerine 99%
19100888	Ø 63mm	G 1/4" Lower	-1...15	SS 316L	Glycerine 99%
19100889	Ø 63mm	G 1/4" Lower	-1...24	SS 316L	Glycerine 99%

Part number	Size	Connection	Range	Wetted parts	Liquidfilling
19100800	Ø 100mm	G 1/2" Lower	0...0,6	SS 316L	Glycerine 99%
19100801	Ø 100mm	G 1/2" Lower	0...1	SS 316L	Glycerine 99%
19100802	Ø 100mm	G 1/2" Lower	0...1,6	SS 316L	Glycerine 99%
19100803	Ø 100mm	G 1/2" Lower	0...2,5	SS 316L	Glycerine 99%
19100804	Ø 100mm	G 1/2" Lower	0...4	SS 316L	Glycerine 99%
19100805	Ø 100mm	G 1/2" Lower	0...6	SS 316L	Glycerine 99%
19100806	Ø 100mm	G 1/2" Lower	0...10	SS 316L	Glycerine 99%
19100807	Ø 100mm	G 1/2" Lower	0...16	SS 316L	Glycerine 99%
19100808	Ø 100mm	G 1/2" Lower	0...25	SS 316L	Glycerine 99%
19100809	Ø 100mm	G 1/2" Lower	0...40	SS 316L	Glycerine 99%
19100810	Ø 100mm	G 1/2" Lower	0...60	SS 316L	Glycerine 99%
19100811	Ø 100mm	G 1/2" Lower	0...100	SS 316L	Glycerine 99%
19100812	Ø 100mm	G 1/2" Lower	0...160	SS 316L	Glycerine 99%
19100813	Ø 100mm	G 1/2" Lower	0...250	SS 316L	Glycerine 99%
19100814	Ø 100mm	G 1/2" Lower	0...400	SS 316L	Glycerine 99%
19100815	Ø 100mm	G 1/2" Lower	0...600	SS 316L	Glycerine 99%
19100816	Ø 100mm	G 1/2" Lower	0...1000	SS 316L	Glycerine 99%
19100817	Ø 100mm	G 1/2" Lower	-1...0	SS 316L	Glycerine 99%
19100818	Ø 100mm	G 1/2" Lower	-1...0,6	SS 316L	Glycerine 99%
19100819	Ø 100mm	G 1/2" Lower	-1...1,5	SS 316L	Glycerine 99%
19100820	Ø 100mm	G 1/2" Lower	-1...3	SS 316L	Glycerine 99%
19100821	Ø 100mm	G 1/2" Lower	-1...5	SS 316L	Glycerine 99%
19100822	Ø 100mm	G 1/2" Lower	-1...9	SS 316L	Glycerine 99%
19100823	Ø 100mm	G 1/2" Lower	-1...15	SS 316L	Glycerine 99%
19100824	Ø 100mm	G 1/2" Lower	-1...24	SS 316L	Glycerine 99%

Other Ranges, Sizes or Connections on request